

JOHN DEERE
WORLDWIDE COMMERCIAL & CONSUMER
EQUIPMENT DIVISION

2709 MAR 01
47, 48 AND 49 BACKHOES
FOR COMPACT UTILITY TRACTORS

PC 2709 MAY 01
PARTS CATALOG

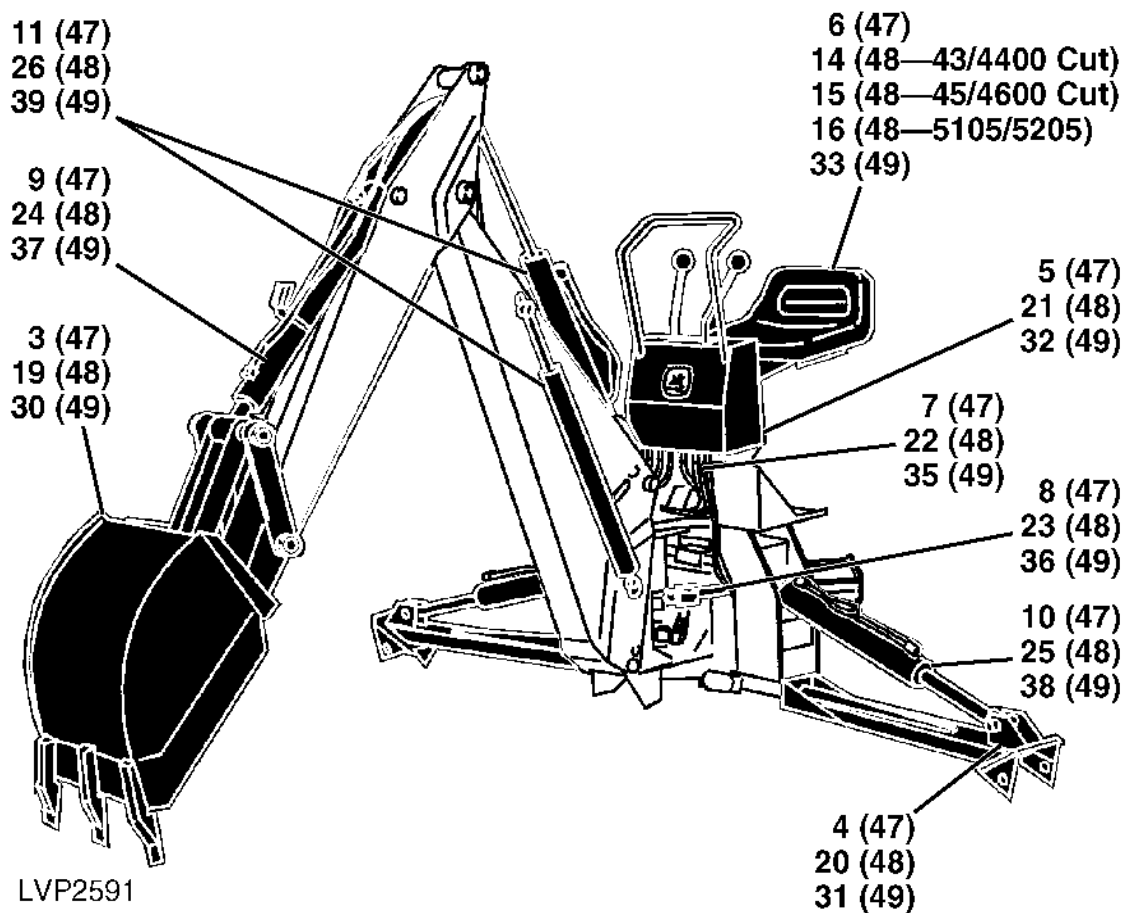


JOHN DEERE

North American Version
Litho in U.S.A.

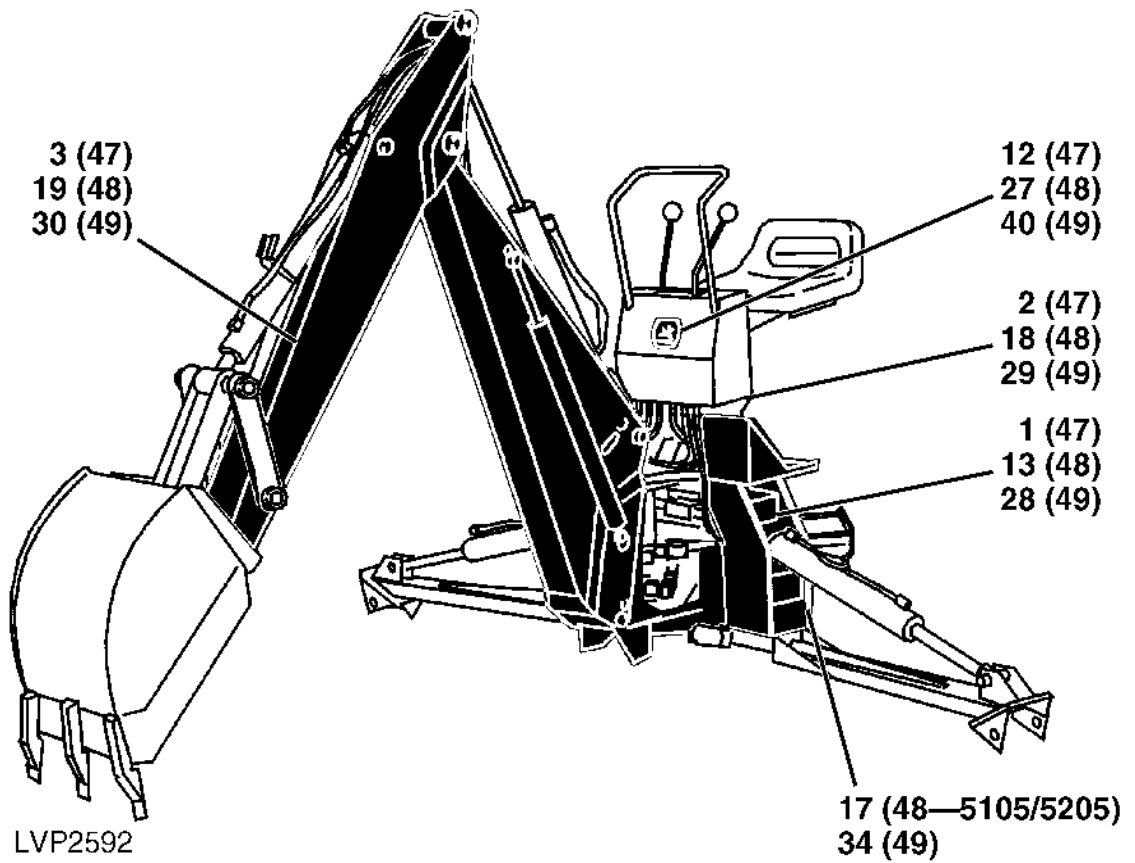
PRIMARY INDEX
INDEX PRINCIPAL
HAUPTINDEX
INDICE PRINCIPALE
INDICE DE MATERIAS
HUVUDFORTECKNING

LVP2591 -UN-19JAN01



PRIMARY INDEX
INDEX PRINCIPAL
HAUPTINDEX
INDICE PRINCIPALE
INDICE DE MATERIAS
HUVUDFORTECKNING

LVP2592 -UN-19JAN01



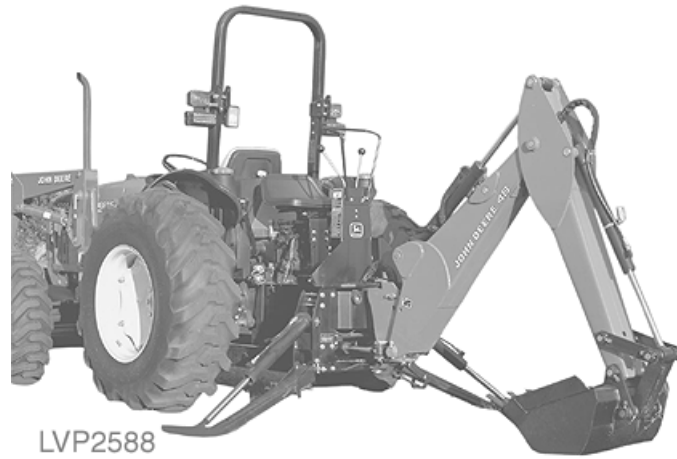
MP19158 -UN-06AUG98



JOHN DEERE 47 BACKHOE

(SPECIFICATIONS AND DESIGN SUBJECT TO CHANGE WITHOUT NOTICE)

LVP2588 -UN-11JAN01



JOHN DEERE 48 BACKHOE

(SPECIFICATIONS AND DESIGN SUBJECT TO CHANGE WITHOUT NOTICE)

LVP2589 -UN-11JAN01



JOHN DEERE 49 BACKHOE

(SPECIFICATIONS AND DESIGN SUBJECT TO CHANGE WITHOUT NOTICE)

TRANSLATED REMARKS

MP8477 -UN-01JAN94

| | ENGLISH | FRANCAIS | DEUTSCH |
|-----------------------|--------------------------------|------------------------------------|-----------------------------------|
| ALSO ORDER | Also order | Commander aussi | Ebenso bestellen |
| AMP | Ampere | Ampère | Ampere |
| AND | And | Et | Und |
| APPL ONLY | This application only | Uniquement pour cette utilisation | Nur für diese Anwendung |
| AR | As required | Selon le besoin | Nach bedarf |
| ASSY | Complete assembly | Ensemble complet | Komplette Baugruppe |
| COMPLETE | Complete | Complet | Vollständig |
| FRONT | Front | Avant | Vorn |
| HP | Horsepower | Puissance en cv | Pferdestärke |
| ID | Inside diameter | Diamètre intérieur | Innendurchmesser |
| INCLUDES | Includes | Comprend | Enthält |
| INCLUDES PARTS MARKED | Includes parts marked | Comprend les pièces marquées | Enthält gekennzeichnete Teile |
| KIT | Kit | Jeu | Satz |
| LH | Left-hand | Gauche | Links |
| LOWER | Lower | Inférieur | Unten |
| MAKE FROM | Make from | Réaliser avec | Herstellen von |
| MARKED | Marked | Marqué | Markiert |
| MFWD | Mechanical front wheel drive | Traction avant mécanique | Mechanischer frontradantrieb |
| NLA | No longer available | Epuisé | Nicht mehr lieferbar |
| NOT USED THIS APPL | Not used this application | Ne sert pas pour cette application | In dieser Anwendung nicht benutzt |
| NSEP | Not supplied separately | Non livré séparément | Einzel nicht lieferbar |
| OD | Outside diameter | Diamètre extérieur | Außendurchmesser |
| OPTIONAL | Optional | En option | Wahlweise |
| OR | Or | Ou | Oder |
| ORDER | Order | Commander | Bestelle |
| OS | Oversize | Surdimensionné | Übergrösse |
| PKG | Package | Par paquet de | Verpackt zu |
| REAR | Rear | Arrière | Hinten |
| RH | Right-hand | Droit | Rechts |
| SN | Serial number | Numéro de série | Seriennummer |
| STD | Standard | Standard | Standard |
| SUB | Replaced by | Remplacé par | Ersetzt durch |
| SUB FOR | Substitutes for | Remplace | Ersatz für |
| TEETH | Gear and sprocket teeth number | Nombre de dents des pignons | Zahnezahl für Ketten-und Zahnrad |
| UPPER | Upper | Supérieur | Oben |
| US | Undersize | Sous-dimensionné | Untergrösse |
| USE WITH | Use with | A utiliser avec | Benutzen mit |
| W/ | With | Avec | Mit |
| W/O | Without | Sans | Ohne |

MP8477

TRANSLATED REMARKS

MP8478

-UN-01JAN94

| | ITALIANO | ESPAÑOL | SVENSKA |
|-----------------------|----------------------------------|-------------------------------------|----------------------------------|
| ALSO ORDER | Ordinare anche | Pedir también | Beställ även |
| AMP | Ampere | Amperio | Ampere |
| AND | E | Y | Och |
| APPL ONLY | Solo per questo impiego | Tan sólo para este propósito | Endast för denna användning |
| AR | Secondo necessità | Según necesidad | Vid behov |
| ASSY | Gruppo completo | Conjunto completo | Komplett sats |
| COMPLETE | Completo | Completo | Fullständig |
| FRONT | Anteriore | Frente | Fram |
| HP | Potenza in cavalli | Potencia | Hästkraft |
| ID | Diámetro interno | Diámetro interior | Inre diameter |
| INCLUDES | Include | Incluye | Inkluderar |
| INCLUDES PARTS MARKED | Include le parti indicate | Incluye las piezas marcadas | Inkluderar markerade delar |
| KIT | Corredo | Juego | Sats |
| LH | Sinistra | Izquierda | Vänster sida |
| LOWER | Inferiore | Más bajo | Nedre |
| MAKE FROM | Fabbricare di | Hacer de | Tillverka av |
| MARKED | Marcato | Marcado | Märkt |
| MFWD | Trazione anteriore meccanica | Tracción delantera mecanica | Mekanisk framhjulsdraft |
| NLA | Non piu' disponibile | Descontinuado | Ej längre tillgänglig |
| NOT USED THIS APPL | Non usato in questa applicazione | No se usa en esta aplicacion | Ej använd i detta sammanhang |
| NSEP | Non fornito separatamente | No se suministra por separado | Kan ej erhållas separat |
| OD | Diámetro externo | Diámetro exterior | Yttre diameter |
| OPTIONAL | Opzionale | Opcional | Valfri |
| OR | Oppure | O | Eller |
| ORDER | Ordinare | Pedirse | Order, rekvisition |
| OS | Extra grande | Sobretamaño | Överdimensionerad |
| PKG | In confezione da | Por paquete de | I sats eller paket |
| REAR | Posteriore | Trasero | Bak, bakre |
| RH | Destra | Derecha | Höger |
| SN | Numero di serie | Número de serie | Serienummer |
| STD | Standard | Normal | Standard |
| SUB | Sostituito per | Sustituido por | Ersatt med |
| SUB FOR | Sostituisce | Sustitucion para | Ersätter |
| TEETH | No. denti corona o pignone | Número de dientes de los engranajes | Antal tänder på drev och kuggjul |
| UPPER | Superiore | Superior | Övre |
| US | Extra piccolo | Subtamaño | Underdimensionerad |
| USE WITH | Usare con | Usar con | Använd med |
| W/ | Con | Con | Med, inklusive |
| W/O | Senza | Sin | Utän, exklusive |

MP8478

PRODUCT IDENTIFICATION AND SERIAL NUMBER PLATE

AN INDIVIDUAL PRODUCT IDENTIFICATION AND SERIAL NUMBER IS ASSIGNED TO EACH MACHINE. WHEN WRITING ABOUT OR FILLING OUT WARRANTY CLAIMS, USE ALL THE CHARACTERS SHOWN ON THE PLATE.

EXAMPLE: M00047X100001

M0- FACTORY DESIGNATION (HORICON WORKS)
0047- MODEL OR MACHINE DESIGNATION
47 BACKHOE
X- CONFIGURATION CODE
100001- SERIAL NUMBER

PRODUCT CONFIGURATION CODE

THE CONFIGURATION "ALPHA" CODE IDENTIFIES A VARIATION OF A PRODUCT. (EXAMPLE: A 116 LAWN TRACTOR MAY BE MANUFACTURED AS A HYDROSTATIC OR MANUAL UNIT, AND BE SHIPPED WITH A 970MM OR 1170MM MOWER. FOUR VARIATIONS OF THE 116 LAWN TRACTOR EXIST.)

IT ALSO IDENTIFIES DIFFERENT PRODUCTS WHICH HAVE THE SAME MODEL OR MACHINE DESIGNATION. (EXAMPLE: 216 TRACTOR AND 216 TILLER)

IF NO CONFIGURATION "ALPHA" CODE IS REQUIRED, SPACE IS FILLED IN WITH AN "X".

SERIAL NUMBER LISTING INFORMATION

SERIAL NUMBER INFORMATION IS LISTED TO SHOW ON WHICH MACHINES EACH PART CAN BE USED; FOR EXAMPLE:

- THE PART CAN BE USED ON ALL MACHINES.
- 000000 - THE PART CAN BE USED ON MACHINES BEGINNING WITH THE SERIAL NUMBER LISTED.
- 000000 THE PART CAN BE USED ON MACHINES UP TO AND INCLUDING THE SERIAL NUMBER LISTED.
- 000000 - 000000 THE PART CAN BE USED ON MACHINES BETWEEN AND INCLUDING THE SERIAL NUMBERS LISTED.

WHEN XXXXXX'S ARE LISTED IN PLACE OF A SERIAL NUMBER, A SERIAL NUMBER CHANGE WAS MADE, BUT THE EXACT SERIAL NUMBER WAS NOT AVAILABLE WHEN THE CATALOG WAS PRODUCED.

BOX-ENCLOSED ILLUSTRATIONS

A KEY NUMBER, SHOWN IN THE PARTS LIST, IS ASSIGNED TO A BOX ENCLOSING ALL PARTS SOLD AS A SERVICE ASSEMBLY.

BOLT AND CAP SCREW STRENGTH IDENTIFICATION

BOLTS AND CAP SCREWS REQUIRED TO HAVE HIGH-STRENGTH QUALITIES EQUIVALENT TO SAE GRADE 8 ARE IDENTIFIED THROUGHOUT THIS CATALOG BY THE DESCRIPTION HS SAE 8 (10.9 FOR METRIC). ALL STANDARD BOLTS AND CAP SCREWS ARE SAE GRADE 5 (METRIC 8.8) OR LOWER.

WHOLE GOODS LISTINGS

WHOLE GOODS ARE LISTED IN BOLD FACE TYPE. REFER TO LAWN AND GROUNDS CARE SALES MANUAL FOR WHOLE GOODS ORDERING INFORMATION. ORDER SEPARATELY. DO NOT INCLUDE ON REPLACEMENT PARTS ORDER.

DIRECTION ARROW

ARROWS ARE USED WITH ILLUSTRATIONS TO INDICATE THE FRONT OF THE UNIT. "RIGHT-HAND" AND "LEFT-HAND" SIDES ARE DETERMINED BY FACING IN THE DIRECTION OF MACHINE FORWARD TRAVEL.

TO THE CUSTOMER

THE PART NUMBERS IN THIS PARTS CATALOG WERE CORRECT AT THE TIME THIS CATALOG WAS PUBLISHED. IT IS OUR POLICY TO CONSTANTLY IMPROVE OUR MACHINES; THEREFORE, PART NUMBERS MAY CHANGE WHEN ORDERING PARTS. VERIFY PART NUMBERS THROUGH YOUR DEALER.

SECTION INDEX

| | |
|--|----|
| GENERAL INFORMATION AND ALPHABETICAL INDEX | 10 |
| 47 BACKHOE | 20 |
| 48 BACKHOE | 30 |
| 49 BACKHOE | 40 |
| NUMERICAL INDEX | 95 |

ALPHABETICAL INDEX

| GRID | | PAGE | GRID | | PAGE |
|------|--|---------|------|---|---------|
| | A | | | | |
| B17 | ANTI-CAVITATION VALVE (BOOM AND DIPPERSTICK SECTIONS) (47)..... | 20 - 26 | B23 | CYLINDER, SWING (47) | 20 - 32 |
| D19 | ANTI-CAVITATION VALVE (BOOM AND DIPPERSTICK SECTIONS) (48)..... | 30 - 38 | D25 | CYLINDER, SWING (48) | 30 - 44 |
| F13 | ANTI-CAVITATION VALVE (BOOM AND DIPPERSTICK SECTIONS) (49)..... | 40 - 28 | F5 | CYLINDER, SWING (49) | 40 - 20 |
| F15 | ANTI-CAVITATION VALVE (SWING VALVE SECTION) (49) | 40 - 30 | | D | |
| B7 | ATTACHING PARTS (47) | 20 - 16 | C5 | DECALS (47) | 20 - 39 |
| D3 | ATTACHING PARTS (48) (4300/4400 CUT) | 30 - 22 | E8 | DECALS (48) | 30 - 52 |
| D5 | ATTACHING PARTS (48) (4500/4600 CUT) | 30 - 24 | F21 | DECALS (49) | 40 - 36 |
| C16 | ATTACHING PARTS (48) (5105/5205 TRACTOR) | 30 - 10 | A21 | DIPPERSTICK (47) | 20 - 6 |
| E23 | ATTACHING PARTS (49) | 40 - 14 | C20 | DIPPERSTICK (48) | 30 - 14 |
| | B | | E15 | DIPPERSTICK (49) | 40 - 6 |
| A19 | BOOM (47) | 20 - 4 | C1 | DIPPERSTICK CYLINDER (47)..... | 20 - 35 |
| C18 | BOOM (48) | 30 - 12 | E3 | DIPPERSTICK CYLINDER (48)..... | 30 - 47 |
| E13 | BOOM (49) | 40 - 4 | F8 | DIPPERSTICK CYLINDER (49)..... | 40 - 23 |
| C1 | BOOM CYLINDER (47) | 20 - 35 | B17 | DIPPERSTICK VALVE SECTION (47) | 20 - 26 |
| E3 | BOOM CYLINDER (48) | 30 - 47 | D19 | DIPPERSTICK VALVE SECTION (48) | 30 - 38 |
| F8 | BOOM CYLINDER (49) | 40 - 23 | F13 | DIPPERSTICK VALVE SECTION (49) | 40 - 28 |
| B17 | BOOM VALVE SECTION (47)..... | 20 - 26 | | E | |
| D19 | BOOM VALVE SECTION (48)..... | 30 - 38 | B13 | END COVER, RELIEF VALVE (47) | 20 - 22 |
| F13 | BOOM VALVE SECTION (49)..... | 40 - 28 | D15 | END COVER, RELIEF VALVE (48) | 30 - 34 |
| B5 | BRACKET, SEAT (47) | 20 - 14 | F9 | END COVER, RELIEF VALVE (49) | 40 - 24 |
| C10 | BRACKET, SEAT (48) (4300/4400 CUT) | 30 - 4 | B14 | END PLATE (CONTROL VALVE) (47) | 20 - 23 |
| C12 | BRACKET, SEAT (48) (4500/4600 CUT) | 30 - 6 | D16 | END PLATE (CONTROL VALVE) (48) | 30 - 35 |
| C14 | BRACKET, SEAT (48) (5105/5205 TRACTORS) | 30 - 8 | F10 | END PLATE (CONTROL VALVE) (49) | 40 - 25 |
| E21 | BRACKET, SEAT (49) | 40 - 12 | | F | |
| A21 | BUCKET (47) | 20 - 6 | B9 | FITTINGS, HYDRAULIC (BUCKET/DIPPERSTICK/BOOM) (47) | 20 - 18 |
| C20 | BUCKET (48) | 30 - 14 | D7 | FITTINGS, HYDRAULIC (BUCKET/DIPPERSTICK/BOOM) (48) | 30 - 26 |
| E15 | BUCKET (49) | 40 - 6 | F1 | FITTINGS, HYDRAULIC (BUCKET/DIPPERSTICK/BOOM) (49) | 40 - 16 |
| B19 | BUCKET AND SWING VALVE SECTION (47)..... | 20 - 28 | B11 | FITTINGS, HYDRAULIC (STABILIZER/SWING) (47) | 20 - 20 |
| D21 | BUCKET AND SWING VALVE SECTION (48)..... | 30 - 40 | D9 | FITTINGS, HYDRAULIC (STABILIZER/SWING) (48) | 30 - 28 |
| B24 | BUCKET CYLINDER (47) | 20 - 33 | F3 | FITTINGS, HYDRAULIC (STABILIZER/SWING) (49) | 40 - 18 |
| E1 | BUCKET CYLINDER (48) | 30 - 45 | C3 | FITTINGS, PRESSURE AND RETURN (47) | 20 - 37 |
| F6 | BUCKET CYLINDER (49) | 40 - 21 | E5 | FITTINGS, PRESSURE AND RETURN (48) | 30 - 49 |
| F17 | BUCKET VALVE SECTION (49) | 40 - 32 | E6 | FITTINGS, PRESSURE AND RETURN (48) (5105/5205 TRACTORS)..... | 30 - 50 |
| | C | | A17 | FOOT PADS (47) | 20 - 2 |
| B1 | CONTROL LINKAGE (47) (SN -020778) | 20 - 10 | C10 | FOOT PADS (48) (4300/4400 CUT) | 30 - 4 |
| B3 | CONTROL LINKAGE (47) (SN 020779-) | 20 - 12 | C12 | FOOT PADS (48) (4500/4600 CUT) | 30 - 6 |
| C24 | CONTROL LINKAGE (48) (SN -022198) | 30 - 18 | B5 | FOOTREST (47)..... | 20 - 14 |
| D1 | CONTROL LINKAGE (48) (SN 022199-) | 30 - 20 | C10 | FOOTREST (48) (4300/4400 CUT)..... | 30 - 4 |
| E19 | CONTROL LINKAGE (49) | 40 - 10 | C12 | FOOTREST (48) (4500/4600 CUT)..... | 30 - 6 |
| B1 | CONTROL VALVE (47) (SN -020778) | 20 - 10 | C14 | FOOTREST (48) (5105/5205 TRACTORS)..... | 30 - 8 |
| B3 | CONTROL VALVE (47) (SN 020779-) | 20 - 12 | E21 | FOOTREST (49)..... | 40 - 12 |
| C24 | CONTROL VALVE (48) (SN -022198) | 30 - 18 | A17 | FRAME, MAIN AND SWING (47) | 20 - 2 |
| D1 | CONTROL VALVE (48) (SN 022199-) | 30 - 20 | C8 | FRAME, MAIN AND SWING (48) | 30 - 2 |
| E19 | CONTROL VALVE (49) | 40 - 10 | E11 | FRAME, MAIN AND SWING (49) | 40 - 2 |
| C1 | CYLINDER, BOOM AND DIPPERSTICK (47) | 20 - 35 | | G | |
| E3 | CYLINDER, BOOM AND DIPPERSTICK (48) | 30 - 47 | B1 | GRIP, HANDLE (47) (SN -020778) | 20 - 10 |
| F8 | CYLINDER, BOOM AND DIPPERSTICK (49) | 40 - 23 | B3 | GRIP, HANDLE (47) (SN 020779-) | 20 - 12 |
| B24 | CYLINDER, BUCKET (47)..... | 20 - 33 | C24 | GRIP, HANDLE (48) (SN -022198)..... | 30 - 18 |
| E1 | CYLINDER, BUCKET (48)..... | 30 - 45 | | | |
| F6 | CYLINDER, BUCKET (49)..... | 40 - 21 | | | |
| B25 | CYLINDER, STABILIZER (47)..... | 20 - 34 | | | |
| E2 | CYLINDER, STABILIZER (48)..... | 30 - 46 | | | |
| F7 | CYLINDER, STABILIZER (49)..... | 40 - 22 | | | |

ALPHABETICAL INDEX - CONTINUED

| <i>GRID</i> | | <i>PAGE</i> | <i>GRID</i> | | <i>PAGE</i> |
|-------------|--|-------------|-------------|---|-------------|
| D1 | GRIP, HANDLE (48) (SN 022199-) | 30 - 20 | F19 | KIT, VALVE SEAL (49) | |
| E19 | GRIP, HANDLE (49) | 40 - 10 | | (FOR ALL VALVE SECTIONS)..... | 40 - 34 |
| H | | | L | | |
| B1 | HANDLES (47) (SN -020778) | 20 - 10 | C5 | LABELS (47)..... | 20 - 39 |
| B3 | HANDLES (47) (SN 020779-) | 20 - 12 | E8 | LABELS (48)..... | 30 - 52 |
| C24 | HANDLES (48) (SN -022198) | 30 - 18 | F21 | LABELS (49)..... | 40 - 36 |
| D1 | HANDLES (48) (SN 022199-) | 30 - 20 | A21 | LINK, BUCKET (47) | 20 - 6 |
| E19 | HANDLES (49)..... | 40 - 10 | C20 | LINK, BUCKET (48) | 30 - 14 |
| C3 | HOSE, HYDRAULIC (PRESSURE AND RETURN) | | E15 | LINK, BUCKET (49) | 40 - 6 |
| | (47)..... | 20 - 37 | B1 | LINKAGE, CONTROL (47) (SN -020778) | 20 - 10 |
| E5 | HOSE, HYDRAULIC (PRESSURE AND RETURN) | | B3 | LINKAGE, CONTROL (47) (SN 020779-) | 20 - 12 |
| | (48)..... | 30 - 49 | C24 | LINKAGE, CONTROL (48) (SN -022198) | 30 - 18 |
| E6 | HOSE, HYDRAULIC (PRESSURE AND RETURN) | | D1 | LINKAGE, CONTROL (48) (SN 022199-) | 30 - 20 |
| | (48) (5105/5205 TRACTORS) | 30 - 50 | E19 | LINKAGE, CONTROL (49)..... | 40 - 10 |
| B9 | HOSES, HYDRAULIC | | M | | |
| | (BUCKET/DIPPERSTICK/BOOM) (47) | 20 - 18 | A17 | MAIN FRAME (47) | 20 - 2 |
| D7 | HOSES, HYDRAULIC | | C8 | MAIN FRAME (48) | 30 - 2 |
| | (BUCKET/DIPPERSTICK/BOOM) (48) | 30 - 26 | E11 | MAIN FRAME (49)..... | 40 - 2 |
| F1 | HOSES, HYDRAULIC | | P | | |
| | (BUCKET/DIPPERSTICK/BOOM) (49) | 40 - 16 | C2 | PAD KIT, STREET (47) | 20 - 36 |
| B11 | HOSES, HYDRAULIC | | E4 | PAD KIT, STREET (48) | 30 - 48 |
| | (STABILIZER/SWING) (47) | 20 - 20 | C4 | PLATE KIT, SIDE (47) | |
| D9 | HOSES, HYDRAULIC | | | (42/43/4400 CUT) | 20 - 38 |
| | (STABILIZER/SWING) (48) | 30 - 28 | D11 | PLATE KIT, SIDE (48) (4500/4600 CUT) | 30 - 30 |
| F3 | HOSES, HYDRAULIC | | D13 | PLATE KIT, SIDE (48) (4500/4600/4700 | |
| | (STABILIZER/SWING) (49) | 40 - 18 | | CUT)..... | 30 - 32 |
| C1 | HYDRAULIC CYLINDER | | B14 | PLUG, END PLATE (47) | 20 - 23 |
| | (BOOM AND DIPPERSTICK) (47) | 20 - 35 | D16 | PLUG, END PLATE (48) | 30 - 35 |
| E3 | HYDRAULIC CYLINDER | | F10 | PLUG, END PLATE (49) | 40 - 25 |
| | (BOOM AND DIPPERSTICK) (48) | 30 - 47 | C3 | PRESSURE HOSE (47)..... | 20 - 37 |
| F8 | HYDRAULIC CYLINDER | | E5 | PRESSURE HOSE (48)..... | 30 - 49 |
| | (BOOM AND DIPPERSTICK) (49) | 40 - 23 | E6 | PRESSURE HOSE (48) (5105/5205 TRACTORS)..... | 30 - 50 |
| B24 | HYDRAULIC CYLINDER (BUCKET) (47) | 20 - 33 | R | | |
| E1 | HYDRAULIC CYLINDER (BUCKET) (48) | 30 - 45 | B17 | RELIEF VALVE (BOOM AND | |
| F6 | HYDRAULIC CYLINDER (BUCKET) (49) | 40 - 21 | | DIPPERSTICK VALVE SECTIONS) (47) | 20 - 26 |
| B25 | HYDRAULIC CYLINDER (STABILIZER) (47) | 20 - 34 | D19 | RELIEF VALVE (BOOM AND | |
| E2 | HYDRAULIC CYLINDER (STABILIZER) (48) | 30 - 46 | | DIPPERSTICK VALVE SECTIONS) (48) | 30 - 38 |
| F7 | HYDRAULIC CYLINDER (STABILIZER) (49) | 40 - 22 | F13 | RELIEF VALVE (BOOM AND | |
| B23 | HYDRAULIC CYLINDER (SWING) (47) | 20 - 32 | | DIPPERSTICK VALVE SECTIONS) (49) | 40 - 28 |
| D25 | HYDRAULIC CYLINDER (SWING) (48) | 30 - 44 | F15 | RELIEF VALVE (SWING VALVE SECTION) (49) | 40 - 30 |
| F5 | HYDRAULIC CYLINDER (SWING) (49) | 40 - 20 | B13 | RELIEF VALVE (47)..... | 20 - 22 |
| B9 | HYDRAULIC HOSES/FITTINGS | | D15 | RELIEF VALVE (48)..... | 30 - 34 |
| | (BUCKET/DIPPERSTICK/BOOM) (47) | 20 - 18 | F9 | RELIEF VALVE (49)..... | 40 - 24 |
| D7 | HYDRAULIC HOSES/FITTINGS | | C3 | RETURN HOSE (47) | 20 - 37 |
| | (BUCKET/DIPPERSTICK/BOOM) (48) | 30 - 26 | E5 | RETURN HOSE (48) | 30 - 49 |
| F1 | HYDRAULIC HOSES/FITTINGS | | E6 | RETURN HOSE (48) (5105/5205 TRACTORS) | 30 - 50 |
| | (BUCKET/DIPPERSTICK/BOOM) (49) | 40 - 16 | S | | |
| B11 | HYDRAULIC HOSES/FITTINGS | | B13 | SEAL KIT, RELIEF VALVE (47) | 20 - 22 |
| | (STABILIZER/SWING) (47) | 20 - 20 | D15 | SEAL KIT, RELIEF VALVE (48) | 30 - 34 |
| D9 | HYDRAULIC HOSES/FITTINGS | | F9 | SEAL KIT, RELIEF VALVE (49) | 40 - 24 |
| | (STABILIZER/SWING) (48) | 30 - 28 | B21 | SEAL KIT, VALVE (47) | |
| F3 | HYDRAULIC HOSES/FITTINGS | | | (FOR ALL VALVE SECTIONS)..... | 20 - 30 |
| | (STABILIZER/SWING) (49) | 40 - 18 | K | | |
| C2 | KIT, STREET PAD (47) | 20 - 36 | C2 | KIT, STREET PAD (47) | 20 - 36 |
| E4 | KIT, STREET PAD (48) | 30 - 48 | E4 | KIT, STREET PAD (48) | 30 - 48 |
| B21 | KIT, VALVE SEAL (47) | | B21 | KIT, VALVE SEAL (47) | |
| | (FOR ALL VALVE SECTIONS)..... | 20 - 30 | | (FOR ALL VALVE SECTIONS)..... | 20 - 30 |
| D23 | KIT, VALVE SEAL (48) | | D23 | KIT, VALVE SEAL (48) | |
| | (FOR ALL VALVE SECTIONS)..... | 30 - 42 | | (FOR ALL VALVE SECTIONS)..... | 30 - 42 |

ALPHABETICAL INDEX - CONTINUED

| <i>GRID</i> | <i>PAGE</i> | <i>GRID</i> | <i>PAGE</i> |
|-------------|---|-------------|---|
| D23 | SEAL KIT, VALVE (48) (FOR ALL VALVE SECTIONS)..... | B23 | SWING CYLINDER (47) |
| | 30 - 42 | D25 | SWING CYLINDER (48) |
| F19 | SEAL KIT, VALVE (49) (FOR ALL VALVE SECTIONS)..... | F5 | SWING CYLINDER (49) |
| | 40 - 34 | A17 | SWING FRAME (47) |
| B19 | SEAL KITS (BUCKET AND SWING VALVE SECTIONS) (47) | C8 | SWING FRAME (48) |
| | 20 - 28 | E11 | SWING FRAME (49) |
| D21 | SEAL KITS (BUCKET AND SWING VALVE SECTIONS) (48) | F15 | SWING VALVE SECTION (49) |
| | 30 - 40 | | |
| B15 | SEAL KITS (STABILIZER VALVE SECTIONS) (47) | | T |
| | 20 - 24 | B14 | TIE ROD KIT (CONTROL VALVE) (47) |
| D17 | SEAL KITS (STABILIZER VALVE SECTIONS) (48) | D16 | TIE ROD KIT (CONTROL VALVE) (48) |
| | 30 - 36 | F10 | TIE ROD KIT (CONTROL VALVE) (49) |
| F11 | SEAL KITS (STABILIZER VALVE SECTIONS) (49) | | |
| | 40 - 26 | | V |
| B17 | SEAL KITS (BOOM AND DIPPERSTICK VALVE SECTIONS) (47) | B14 | VALVE COVER (END PLATE) (47) |
| | 20 - 26 | D16 | VALVE COVER (END PLATE) (48) |
| D19 | SEAL KITS (BOOM AND DIPPERSTICK VALVE SECTIONS) (48) | F10 | VALVE COVER (END PLATE) (49) |
| | 30 - 38 | B21 | VALVE SEAL KIT (47) (FOR ALL VALVE SECTIONS)..... |
| F13 | SEAL KITS (BOOM AND DIPPERSTICK VALVE SECTIONS) (49) | | 20 - 30 |
| | 40 - 28 | D23 | VALVE SEAL KIT (48) (FOR ALL VALVE SECTIONS)..... |
| F17 | SEAL KITS (BUCKET) (49) | | 30 - 42 |
| F15 | SEAL KITS (SWING VALVE SECTION) (49) | F19 | VALVE SEAL KIT (49) (FOR ALL VALVE SECTIONS)..... |
| B5 | SEAT (47)..... | | 40 - 34 |
| C10 | SEAT (48) (4300/4400 CUT) | B17 | VALVE SECTION (BOOM AND DIPPERSTICK) (47) |
| C12 | SEAT (48) (4500/4600 CUT) | | 20 - 26 |
| C14 | SEAT (48) (5105/5205 TRACTORS)..... | D19 | VALVE SECTION (BOOM AND DIPPERSTICK) (48) |
| E21 | SEAT (49)..... | | 30 - 38 |
| B5 | SEAT BRACKET (47) | F13 | VALVE SECTION (BOOM AND DIPPERSTICK) (49) |
| C10 | SEAT BRACKET (48) (4300/4400 CUT)..... | | 40 - 28 |
| C12 | SEAT BRACKET (48) (4500/4600 CUT)..... | B19 | VALVE SECTION (BUCKET AND SWING) (47) |
| C14 | SEAT BRACKET (48) (5105/5205 TRACTORS) | D21 | VALVE SECTION (BUCKET AND SWING) (48) |
| E21 | SEAT BRACKET (49) | F17 | VALVE SECTION (BUCKET) (49)..... |
| A23 | SHIELD, STABILIZER (47) | B15 | VALVE SECTION (STABILIZER) (47)..... |
| C22 | SHIELD, STABILIZER (48) | D17 | VALVE SECTION (STABILIZER) (48)..... |
| E17 | SHIELD, STABILIZER (49) | F11 | VALVE SECTION (STABILIZER) (49)..... |
| B1 | SHROUD, CONTROLS (47) (SN -020778)..... | F15 | VALVE SECTION (SWING) (49) |
| B3 | SHROUD, CONTROLS (47) (SN 020779-) | B17 | VALVE, ANTI-CAVITATION AND RELIEF (BOOM/DIPPERSTICK SECTIONS) (47) |
| C24 | SHROUD, CONTROLS (48) (SN -022198)..... | | 20 - 26 |
| D1 | SHROUD, CONTROLS (48) (SN 022199-) | D19 | VALVE, ANTI-CAVITATION AND RELIEF (BOOM/DIPPERSTICK SECTIONS) (48) |
| E19 | SHROUD, CONTROLS (49) | | 30 - 38 |
| C4 | SIDE PLATE KIT (47) (42/43/4400 CUT) | F13 | VALVE, ANTI-CAVITATION AND RELIEF (BOOM/DIPPERSTICK SECTIONS) (49) |
| | 20 - 38 | | 40 - 28 |
| D11 | SIDE PLATE KIT (48) (4500/4600 CUT) | F15 | VALVE, ANTI-CAVITATION AND RELIEF (SWING VALVE SECTIONS) (49) |
| D13 | SIDE PLATE KIT (48) (4500/4600/4700 CUT) | | 40 - 30 |
| A21 | SMV SIGN BRACKET (47) | B13 | VALVE, RELIEF (47) |
| C20 | SMV SIGN BRACKET (48) | D15 | VALVE, RELIEF (48) |
| B17 | SPOOL (BOOM AND DIPPERSTICK VALVE SECTIONS) (47)..... | F9 | VALVE, RELIEF (49) |
| | 20 - 26 | | 40 - 24 |
| D19 | SPOOL (BOOM AND DIPPERSTICK VALVE SECTIONS) (48)..... | | |
| | 30 - 38 | | |
| F13 | SPOOL (BOOM AND DIPPERSTICK VALVE SECTIONS) (49)..... | | |
| | 40 - 28 | | |
| F15 | SPOOL (SWING VALVE SECTION) (49) | | |
| | 40 - 30 | | |
| A23 | STABILIZER (47) | | |
| C22 | STABILIZER (48) | | |
| E17 | STABILIZER (49) | | |
| B25 | STABILIZER CYLINDER (47) | | |
| E2 | STABILIZER CYLINDER (48) | | |
| F7 | STABILIZER CYLINDER (49) | | |
| B15 | STABILIZER VALVE (47)..... | | |
| D17 | STABILIZER VALVE (48)..... | | |
| F11 | STABILIZER VALVE (49)..... | | |
| C2 | STREET PAD KIT (47) | | |
| E4 | STREET PAD KIT (48) | | |
| C16 | SUBFRAME (48) (5105/5205 TRACTORS) | | |
| E23 | SUBFRAME (49 BACKHOE FOR 5200-5500/5210-5510 TRACTORS) | | |
| | 40 - 14 | | |

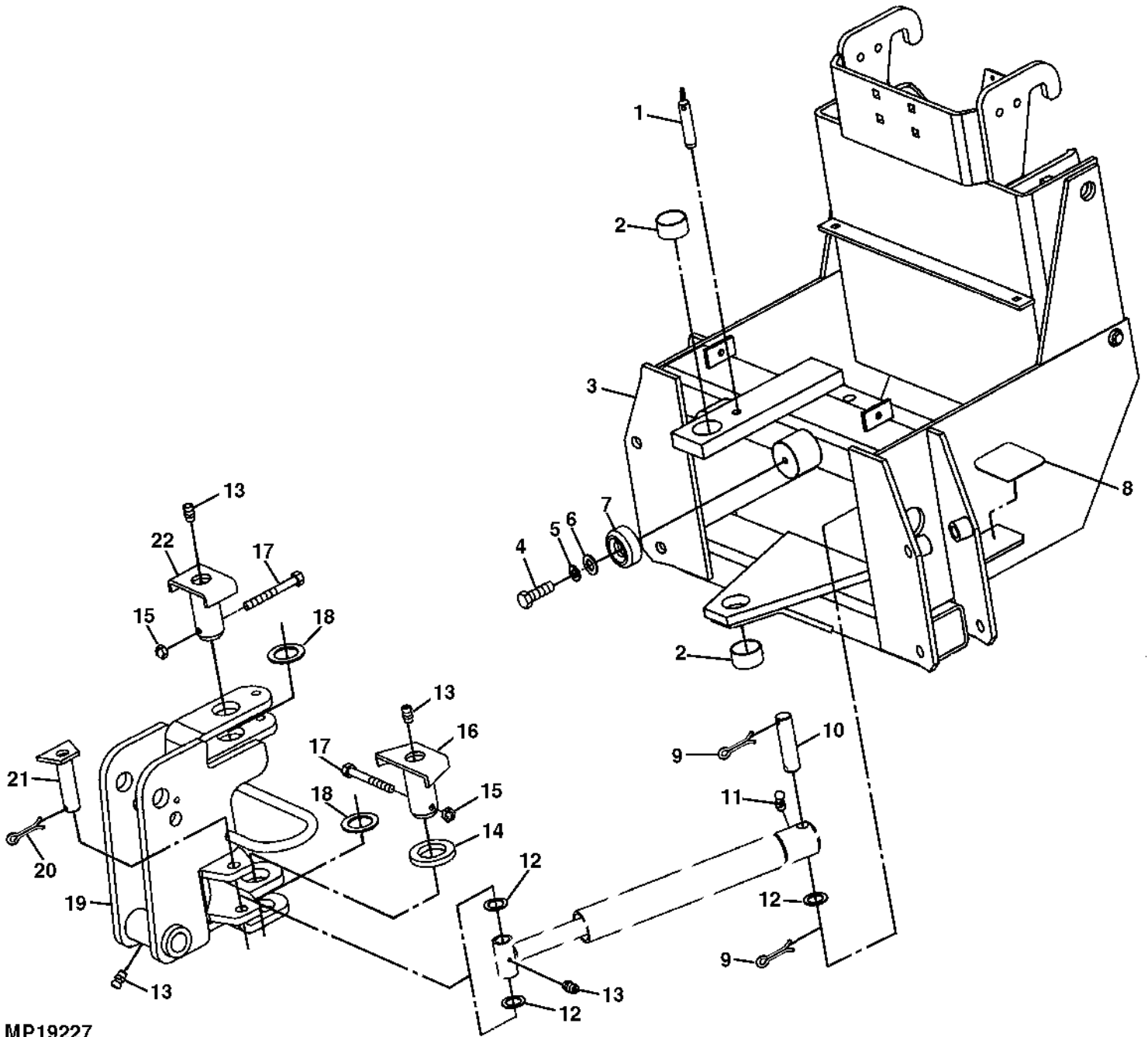
MEMORANDA

MEMORANDA

A17

47 BACKHOE

MAIN FRAME AND SWING FRAME
CADRE PRINCIPAL ET CADRE DE DEBATTEMENT
HAUPTTRAHMEN UND SCHWINGRAHMEN
TELAIO PRINCIPALE E TELAIO OSCILLANTE
CHASIS PRINCIPAL Y CHASIS BASCULANTE
HUVUDRAM OCH SVAENGANORDNINGENS RAM
MP19227 -UN-31JUL98



A18

47 BACKHOE

MAIN FRAME AND SWING FRAME (CONTINUED)

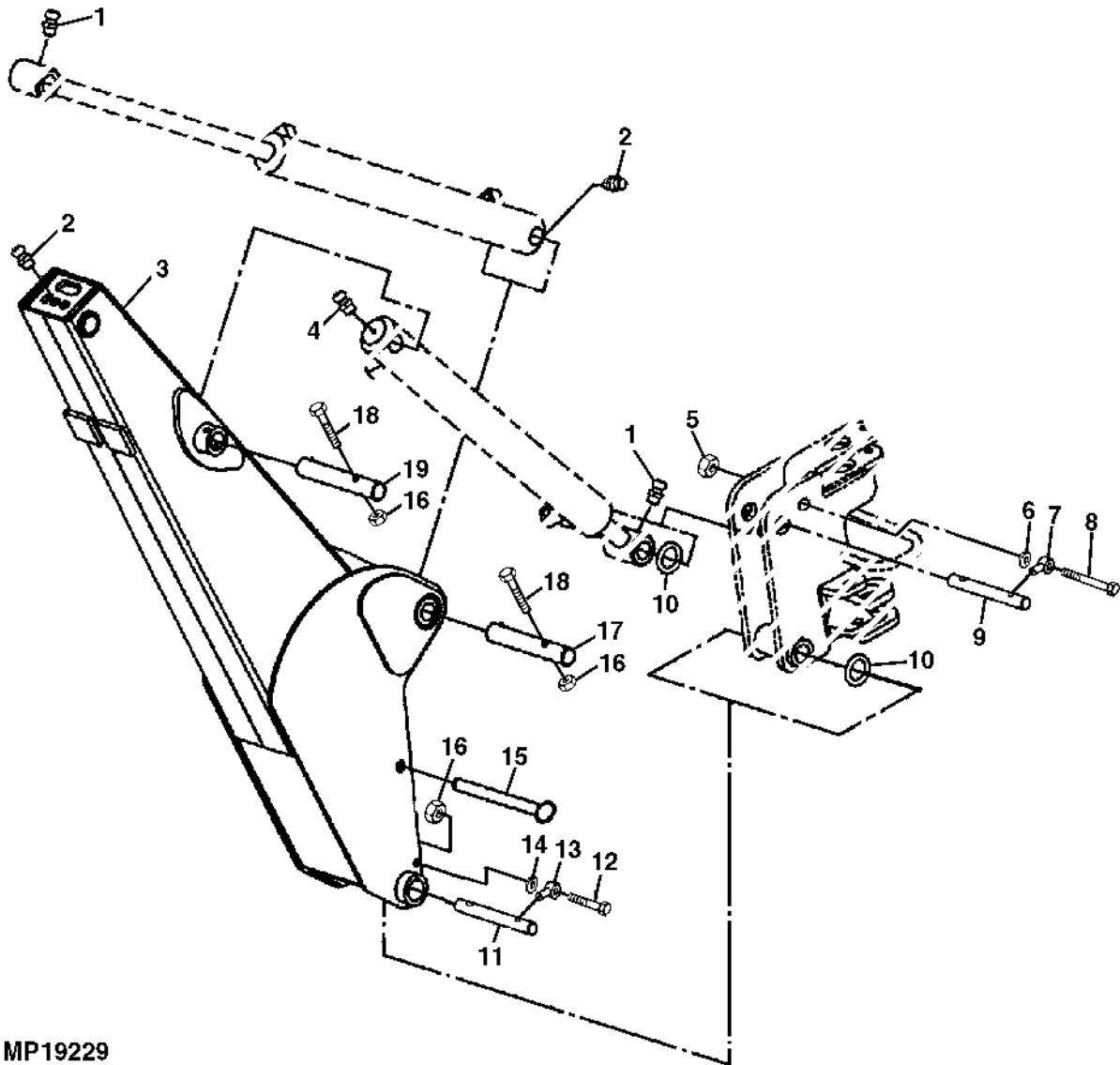
| KEY | PART NO. | PART NAME | QTY | SERIAL NO. | REMARKS |
|-----|----------|---------------------|-----|------------|--------------------------|
| 1 | PT10429 | PIN | 1 | | SWING LOCK |
| 2 | M137930 | BEARING | 2 | | |
| 3 | AM127668 | MAIN FRAME | 1 | | |
| 4 | 19H3374 | CAP SCREW | 2 | | 5/16" X 1-1/4" |
| 5 | 12H303 | LOCK WASHER | 2 | | 5/16" |
| 6 | 24H1136 | WASHER | 2 | | 11/32" X 11/16" X 0.065" |
| 7 | M137934 | BUMPER | 2 | | |
| 8 | PT8158 | PAD | 2 | | |
| 9 | 11H218 | COTTER PIN | 4 | | 3/16" X 1-1/2" |
| 10 | M137956 | PIN | 2 | | |
| 11 | JD7788 | LUBRICATION FITTING | 2 | | |
| 12 | 24H1930 | WASHER | 6 | | 3/4" X 1-1/4" X 0.075" |
| 13 | JD7844 | LUBRICATION FITTING | 5 | | |
| 14 | PT10438 | THRUST WASHER | 1 | | |
| 15 | R11151 | LOCK NUT | 2 | | |
| 16 | AM127669 | PIN | 1 | | |
| 17 | M138013 | BOLT | 2 | | |
| 18 | M138024 | BUSHING | 5 | | |
| 19 | AM127665 | FRAME | 1 | | SWING |
| 20 | 11M7038 | COTTER PIN | 2 | | 6.300 X 40 MM |
| 21 | AM127670 | PIN | 2 | | |
| 22 | AM127736 | PIN | 1 | | |

A19

47 BACKHOE

BOOM
FLECHE
LADESCHWINGE
BRACCIO
AGUILON
BOM
MP19229

-UN-19AUG98



MP19229

A20

47 BACKHOE

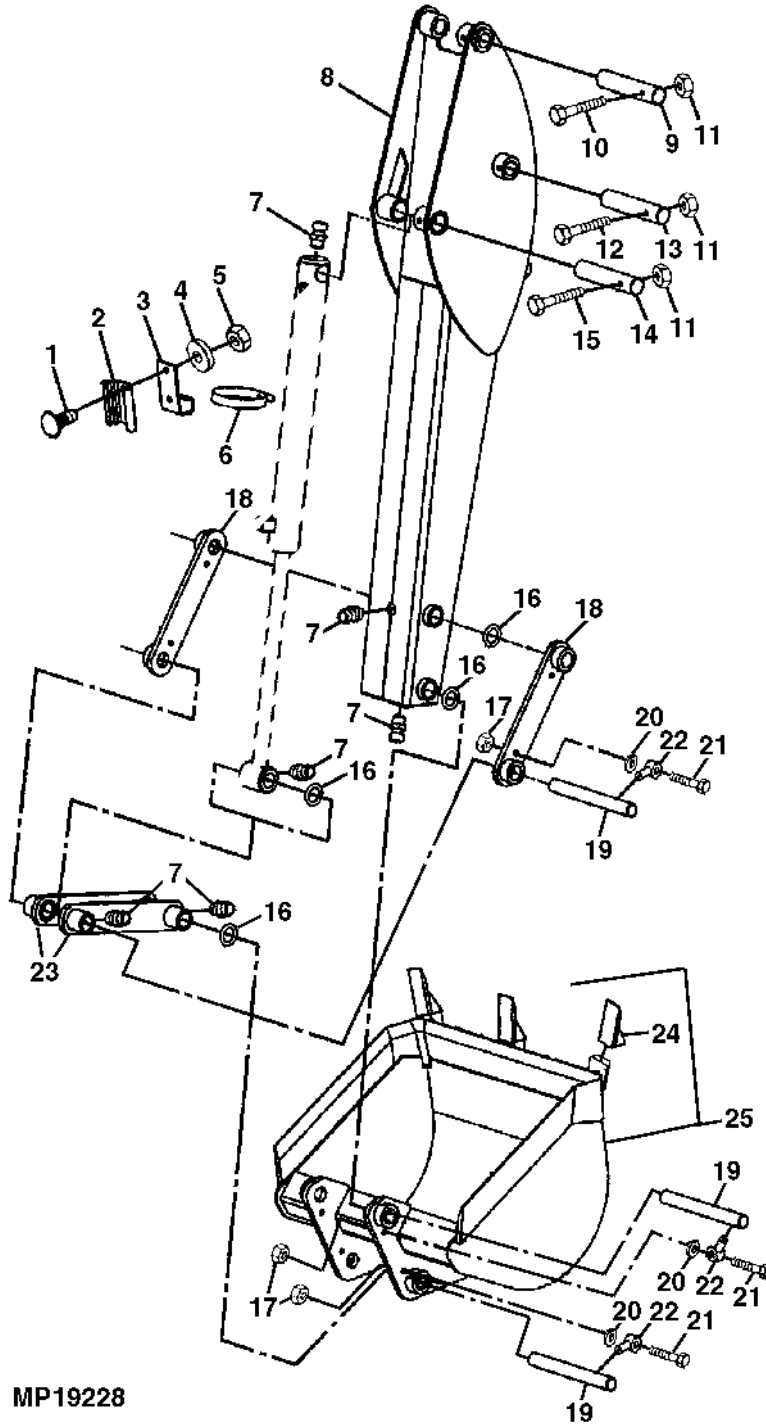
BOOM (CONTINUED)

| KEY | PART NO. | PART NAME | QTY | SERIAL NO. | REMARKS |
|-----|----------|---------------------|-----|------------|--------------------------|
| 1 | M138797 | LUBRICATION FITTING | 2 | | |
| 2 | JD7844 | LUBRICATION FITTING | 2 | | |
| 3 | AM127667 | BACKHOE BOOM | 1 | | |
| 4 | JD7788 | LUBRICATION FITTING | 1 | | |
| 5 | R11151 | LOCK NUT | 1 | | |
| 6 | 24H1136 | WASHER | 1 | | 11/32" X 11/16" X 0.065" |
| 7 | M118630 | RETAINER | 1 | | |
| 8 | M138014 | BOLT | 1 | | 1-1/4" X 5-9/16" |
| 9 | M137963 | PIN | 1 | | |
| 10 | M138023 | BUSHING | 4 | | |
| 11 | M137957 | PIN | 2 | | 1-1/4" X 8-5/8" |
| 12 | 19H2987 | CAP SCREW | 2 | | 3/8" X 1" |
| 13 | PT14393 | RETAINER | 2 | | |
| 14 | 24H1305 | WASHER | 2 | | 13/32" X 13/16" X 0.065" |
| 15 | PT15268 | PIN | 1 | | |
| 16 | F3220R | LOCK NUT | 3 | | |
| 17 | M137964 | PIN | 1 | | 1-1/4" X 7-7/16" |
| 18 | | BOLT | 2 | | |
| 19 | M137967 | PIN | 1 | | 1-1/4" X 7-1/4" |

A21

47 BACKHOE

BUCKET AND DIPPERSTICK
GODET ET BRAS DU GODET
SCHAUFEL UND LOEFFELBAGGERSTANGE
BENNA E BILANCIERE
CUCHARON Y BRAZO DEL CUCHARON
SKOPA OCH SKOPSTAG
MP19228 -UN-19AUG98



MP19228

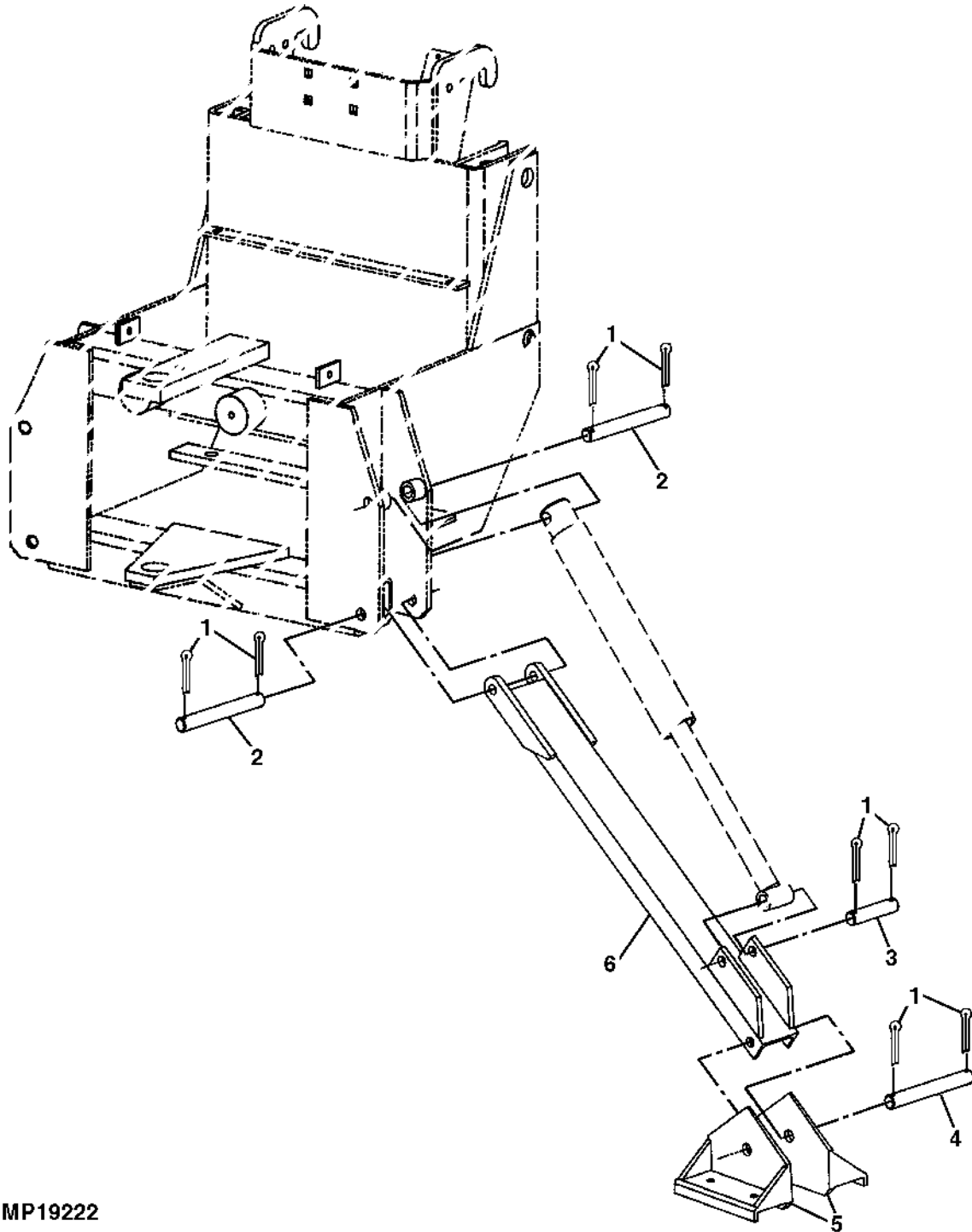
BUCKET AND DIPPERSTICK (CONTINUED)

| KEY | PART NO. | PART NAME | QTY | SERIAL NO. | REMARKS |
|-----------|----------------|-----------------------|----------|---------------------------|---------|
| 1 | 03H1268 | BOLT | 2 | 5/16" X 3/4" | |
| 2 | JD126 | SOCKET | 1 | (SMV) | |
| 3 | M118635 | SUPPORT | 1 | (SMV) | |
| 4 | 12H303 | LOCK WASHER | 2 | 5/16" | |
| 5 | 14H785 | NUT | 2 | 5/16" | |
| 6 | TY22471 | CLAMP | 1 | | |
| 7 | JD7844 | LUBRICATION FITTING | 6 | | |
| 8 | AM127666 | DIPPERSTICK | 1 | | |
| 9 | M137965 | PIN | 1 | 1-1/4" X 6-5/16" | |
| 10 | | BOLT | 1 | | |
| 11 | F3220R | LOCK NUT | 3 | | |
| 12 | M138017 | BOLT | 1 | 1-1/4" X 7-15/16" | |
| 13 | M137958 | PIN | 1 | 1-1/4" X 7-15/16" | |
| 14 | M137966 | PIN | 1 | 1" X 5-7/8" | |
| 15 | | BOLT | 1 | | |
| 16 | 24H1447 | WASHER | 6 | 1-1/32" X 1-1/2" X 0.036" | |
| 17 | R11151 | LOCK NUT | 4 | | |
| 18 | AM128039 | LINK | 2 | | |
| 19 | PT8174 | PIN | 4 | 1" X 7-3/8" | |
| 20 | 24H1136 | WASHER | 8 | 11/32" X 11/16" X 0.065" | |
| 21 | M138010 | BOLT | 8 | | |
| 22 | M118630 | RETAINER | 8 | | |
| 23 | AM127975 | LINK | 1 | | |
| 24 | U10577 | TOOTH | AR | BUCKET | |
| | PT10430 | TOOTH | AR | BUCKET (WITH SHANK) | |
| 25 | BM19557 | BACKHOE BUCKET | 1 | 9" | |
| | BM19558 | BACKHOE BUCKET | 1 | 13" | |
| | BM19559 | BACKHOE BUCKET | 1 | 16" | |
| | BM19560 | BACKHOE BUCKET | 1 | 20" | |
| | BM19561 | BACKHOE BUCKET | 1 | 24" | |
| | BM19562 | BACKHOE BUCKET | 1 | 36" | |

A23

47 BACKHOE

STABILIZER
STABILISATEUR
STABILISATOR
STABILIZZATORE
ESTABILIZADOR
STABILISATOR
MP19222 -UN-31JUL98



MP19222

A24

47 BACKHOE

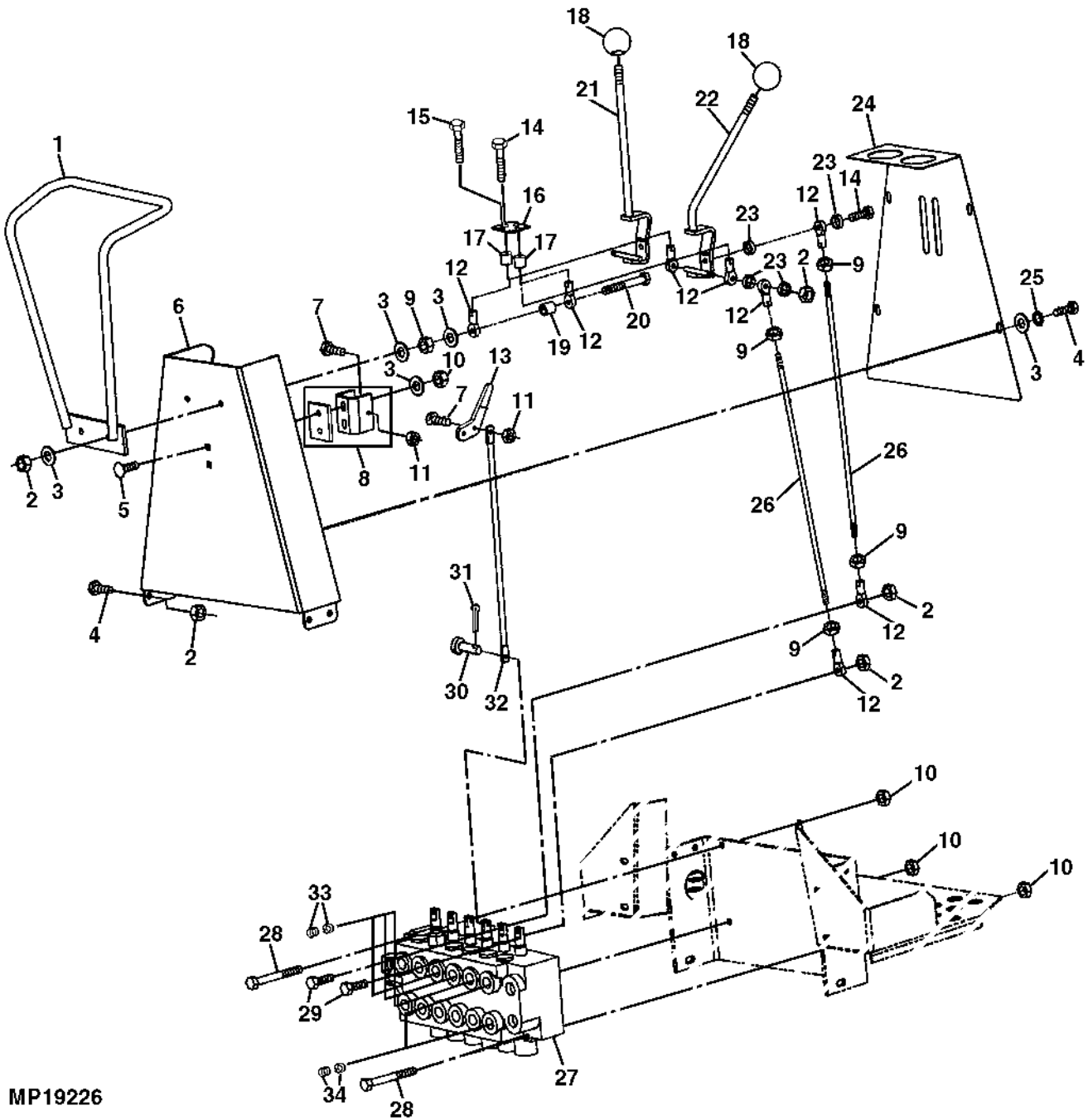
STABILIZER (CONTINUED)

| KEY | PART NO. | PART NAME | QTY | SERIAL NO. | REMARKS |
|-----|----------|-----------------|-----|------------|-----------------|
| 1 | 11H218 | COTTER PIN | 16 | | 3/16" X 1-1/2" |
| 2 | M137959 | PIN | 4 | | 3/4" X 5-5/8" |
| 3 | M137961 | PIN | 2 | | 3/4" X 3-3/4" |
| 4 | M137960 | PIN | 2 | | 3/4" X 4-15/16" |
| 5 | M137931 | STABILIZER FOOT | 2 | | |
| 6 | AM127672 | LEG | 2 | | |

B1

47 BACKHOE

CONTROL LINKAGE, HANDLE AND SHROUD (SN -020778)
TOLE DE PROTECTION, POIGNEE ET TRINGLERIE (N.S. -020778)
BEDIENUNGSGESTAENGE, GRIFF UND SCHUTTVORRICHTUNG (SN. -020778)
TIRANTERIA DI COMANDO, MANIGLIA E PROTEZIONE (N SER -020778)
ENGANCHE DE CONTROL, MANGO Y RECUBRIMIENTO (NO SER -020778)
MANOEVRERINGENS LAENKSYSTEM, HANDTAG OCH HOELJE (S/N -020778)
MP19226 -UN-06AUG98

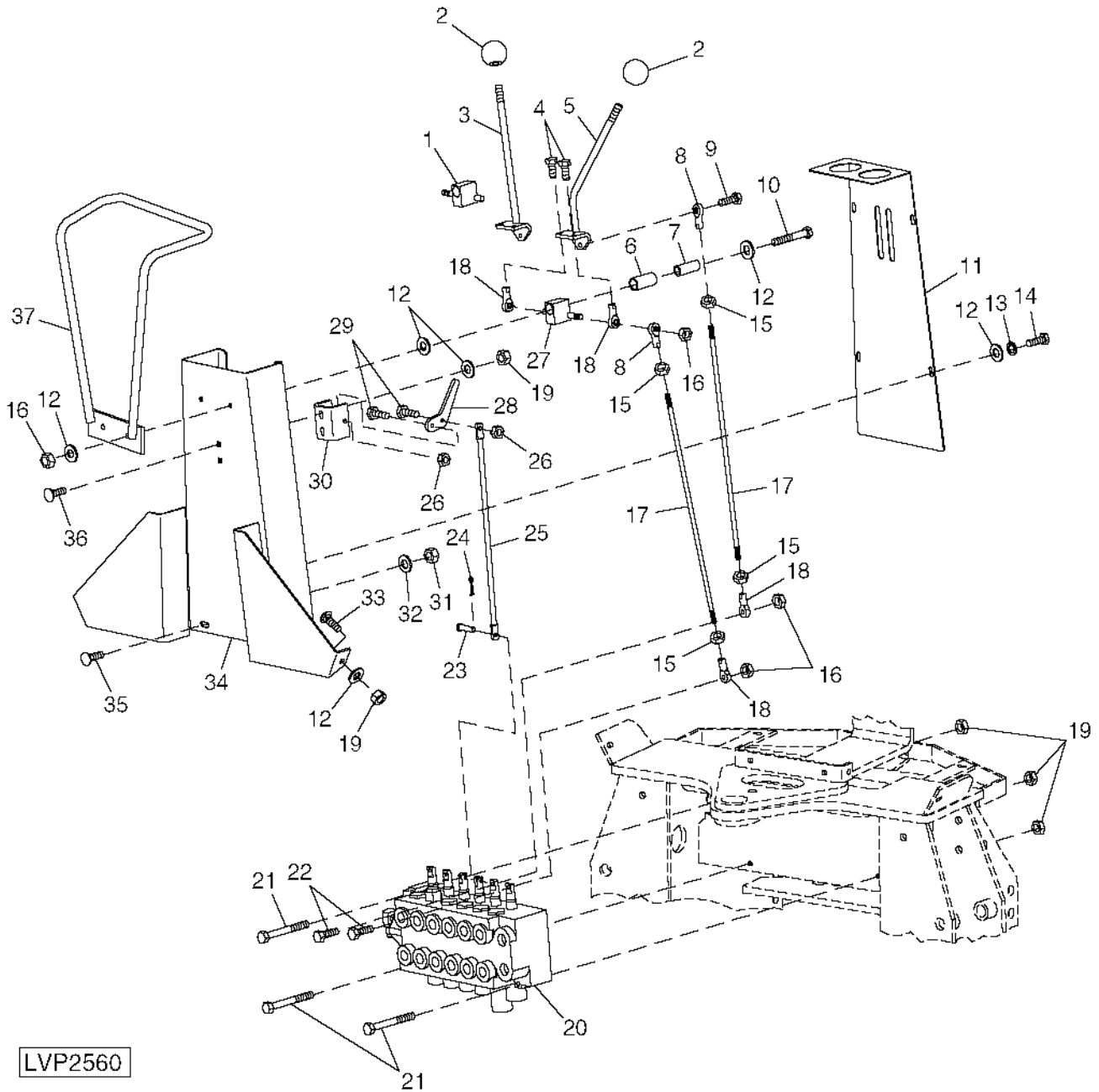


MP19226

CONTROL LINKAGE, HANDLE AND SHROUD (SN -020778) (CONTINUED)

| KEY | PART NO. | PART NAME | QTY | SERIAL NO. | REMARKS |
|-----|----------|---------------|-----|------------|--------------------------|
| 1 | AM127740 | HANDLE | 1 | | |
| 2 | R11151 | LOCK NUT | 9 | | |
| 3 | 24H1136 | WASHER | 12 | | 11/32" X 11/16" X 0.065" |
| 4 | 19H2551 | CAP SCREW | 8 | | 5/16" X 3/4" |
| 5 | 03H1554 | BOLT | 2 | | |
| 6 | AM127731 | SHROUD | 1 | | |
| 7 | 19H1948 | CAP SCREW | 4 | | 1/4" X 3/4" |
| 8 | AM127683 | BRACKET | 1 | | CONTROL LEVER |
| 9 | 14H650 | NUT | 10 | | 5/16" |
| 10 | H76696 | LOCK NUT | 5 | | |
| 11 | M40333 | LOCK NUT | 4 | | |
| 12 | AT49297 | BALL JOINT | 16 | | |
| 13 | M137952 | CONTROL LEVER | 2 | | |
| 14 | 19H2529 | CAP SCREW | 6 | | 5/16" X 1" |
| 15 | 19H3374 | CAP SCREW | 2 | | 5/16" X 1-1/4" |
| 16 | M138796 | PLATE | 2 | | |
| 17 | M138044 | SPACER | 4 | | |
| 18 | M118633 | KNOB | 2 | | |
| 19 | M138043 | SPACER | 2 | | |
| 20 | M138012 | BOLT | 2 | | |
| 21 | AM127738 | HANDLE | 1 | | RH |
| 22 | AM127739 | HANDLE | 1 | | LH |
| 23 | M121918 | SPACER | 8 | | |
| 24 | M138033 | PLATE | 1 | | |
| 25 | 12H303 | LOCK WASHER | 4 | | 5/16" |
| 26 | M137950 | ROD | 4 | | |
| 27 | AM127903 | VALVE | 1 | | |
| 28 | 19H1907 | CAP SCREW | 3 | | 5/16" X 2-3/4" |
| 29 | M138011 | BOLT | 4 | | |
| 30 | T35986 | PIN | 2 | | |
| 31 | 11M7081 | COTTER PIN | 2 | | 2.500 X 20 MM |
| 32 | M137951 | ROD | 2 | | STABILIZER |
| 33 | PT8135 | ORIFICE | 3 | | (.062") |
| 34 | PT15288 | ORIFICE | 2 | | (.055") |

CONTROL LINKAGE, HANDLE AND SHROUD (SN 020779-)
TOLE DE PROTECTION, POIGNEE ET TRINGLERIE (N.S. 020779-)
BEDIENUNGSGESTAENGE, GRIFF UND SCHUTTVORRICHTUNG (SN. 020779-)
TIRANTERIA DI COMANDO, MANIGLIA E PROTEZIONE (N SER 020779-)
ENGANCHE DE CONTROL, MANGO Y RECUBRIMIENTO (NO SER 020779-)
MANOEVRERINGENS LAENKSYSTEM, HANDTAG OCH HOELJE (S/N 020779-)
LVP2560 -UN-04DEC00



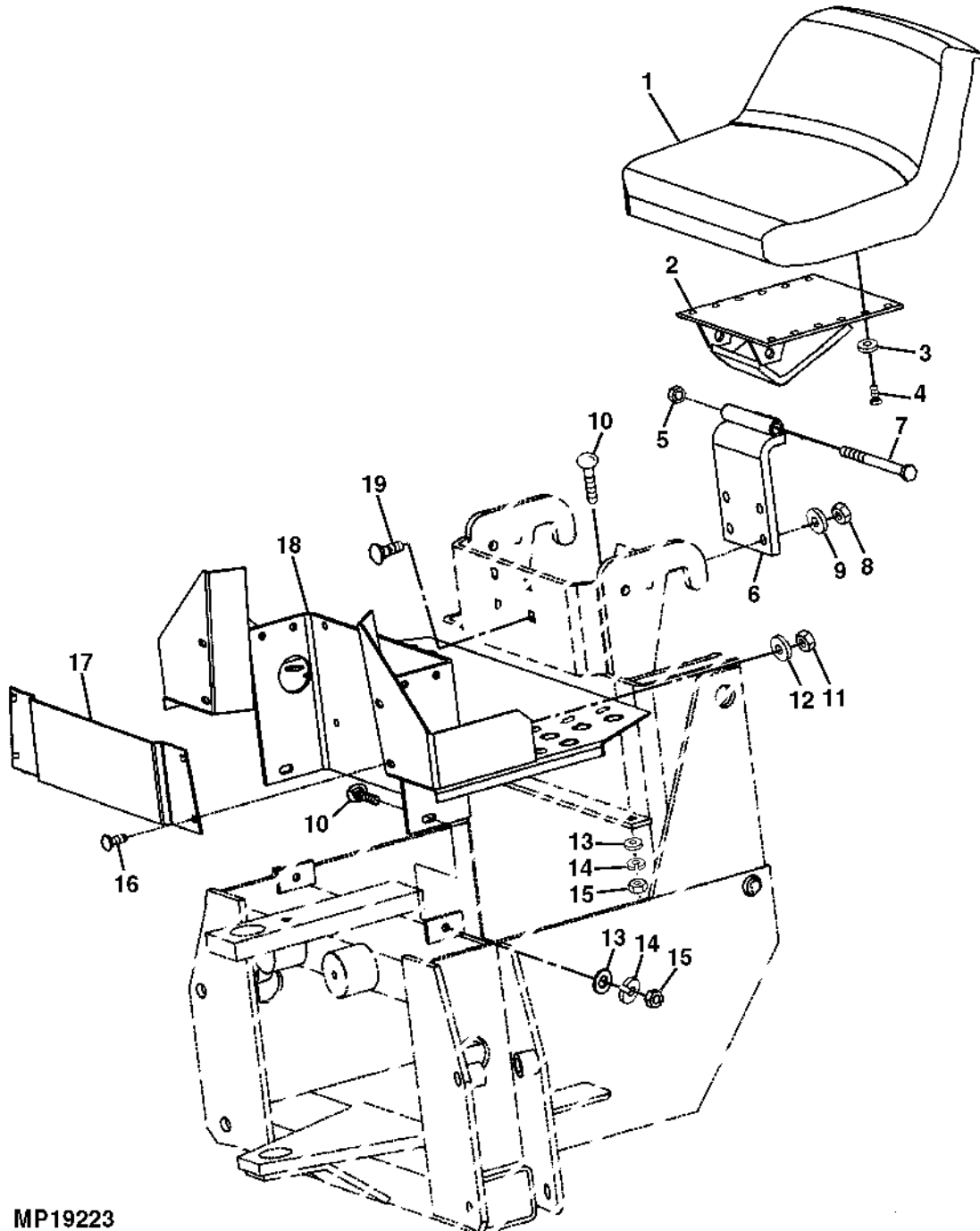
CONTROL LINKAGE, HANDLE AND SHROUD (SN 020779-) (CONTINUED)

| KEY | PART NO. | PART NAME | QTY | SERIAL NO. | REMARKS |
|-----|----------|---------------|-----|--------------------------|---------|
| 1 | LVA10553 | PIVOT | 1 | (RH) | |
| 2 | M118633 | KNOB | 2 | | |
| 3 | LVA10544 | CONTROL LEVER | 1 | (RH) | |
| 4 | 19H2127 | CAP SCREW | 4 | 5/16" X 7/8" | |
| 5 | LVA10545 | CONTROL LEVER | 1 | (LH) | |
| 6 | LVU10916 | BEARING | 2 | | |
| 7 | LVU10917 | BUSHING | 2 | | |
| 8 | LVA10555 | BALL JOINT | 4 | | |
| 9 | 19H2529 | CAP SCREW | 2 | 5/16" X 1" | |
| 10 | 19H3669 | BOLT | 2 | 5/16" X 2-1/4" | |
| 11 | M138069 | PLATE | 1 | (REAR) | |
| 12 | 24H1136 | WASHER | 10 | 11/32" X 11/16" X 0.065" | |
| 13 | 12H303 | LOCK WASHER | 2 | 5/16" | |
| 14 | 19H2551 | CAP SCREW | 2 | 5/16" X 3/4" | |
| 15 | 14H650 | NUT | 8 | 5/16" | |
| 16 | R11151 | LOCK NUT | 10 | | |
| 17 | M137981 | ROD | 4 | | |
| 18 | AT49297 | BALL JOINT | 8 | | |
| 19 | H76696 | LOCK NUT | 9 | | |
| 20 | LVA11307 | CONTROL VALVE | 1 | | |
| 21 | 19H1907 | CAP SCREW | 3 | 5/16" X 2-3/4" | |
| 22 | M138011 | BOLT | 2 | | |
| 23 | T35986 | PIN | 2 | | |
| 24 | 11H206 | COTTER PIN | 2 | | |
| 25 | M137983 | ROD | 2 | (STABILIZER) | |
| 26 | M121704 | LOCK NUT | 4 | | |
| 27 | LVA10554 | PIVOT | 1 | (LH) | |
| 28 | M137952 | CONTROL LEVER | 2 | | |
| 29 | 19H1948 | CAP SCREW | 4 | 1/4" X 3/4" | |
| 30 | M138045 | BRACKET | 1 | | |
| 31 | H99923 | LOCK NUT | 2 | | |
| 32 | 24H1305 | WASHER | 2 | 13/32" X 13/16" X 0.065" | |
| 33 | 03H1268 | BOLT | 2 | 5/16" X 3/4" | |
| 34 | LVA11330 | SHROUD | 1 | (FRONT) | |
| 35 | 03H1519 | BOLT | 2 | 3/8" X 1" | |
| 36 | 03H1709 | BOLT | 2 | 5/16" X 1" | |
| 37 | AM127740 | BAR | 1 | | |

B5

47 BACKHOE

SEAT, BRACKET AND FOOTREST
SIEGE, SUPPORT ET REPOSE-PIED
SITZ, HALTERUNG UND FUSSTUETZ39
SEDILE, STAFFA E POGGIAPIEDI
ASIENTO, SOPORTE Y REPOSAPIES
SITS, FAESTE OCH FOTSTOED
MP19223 -UN-31JUL98



MP19223

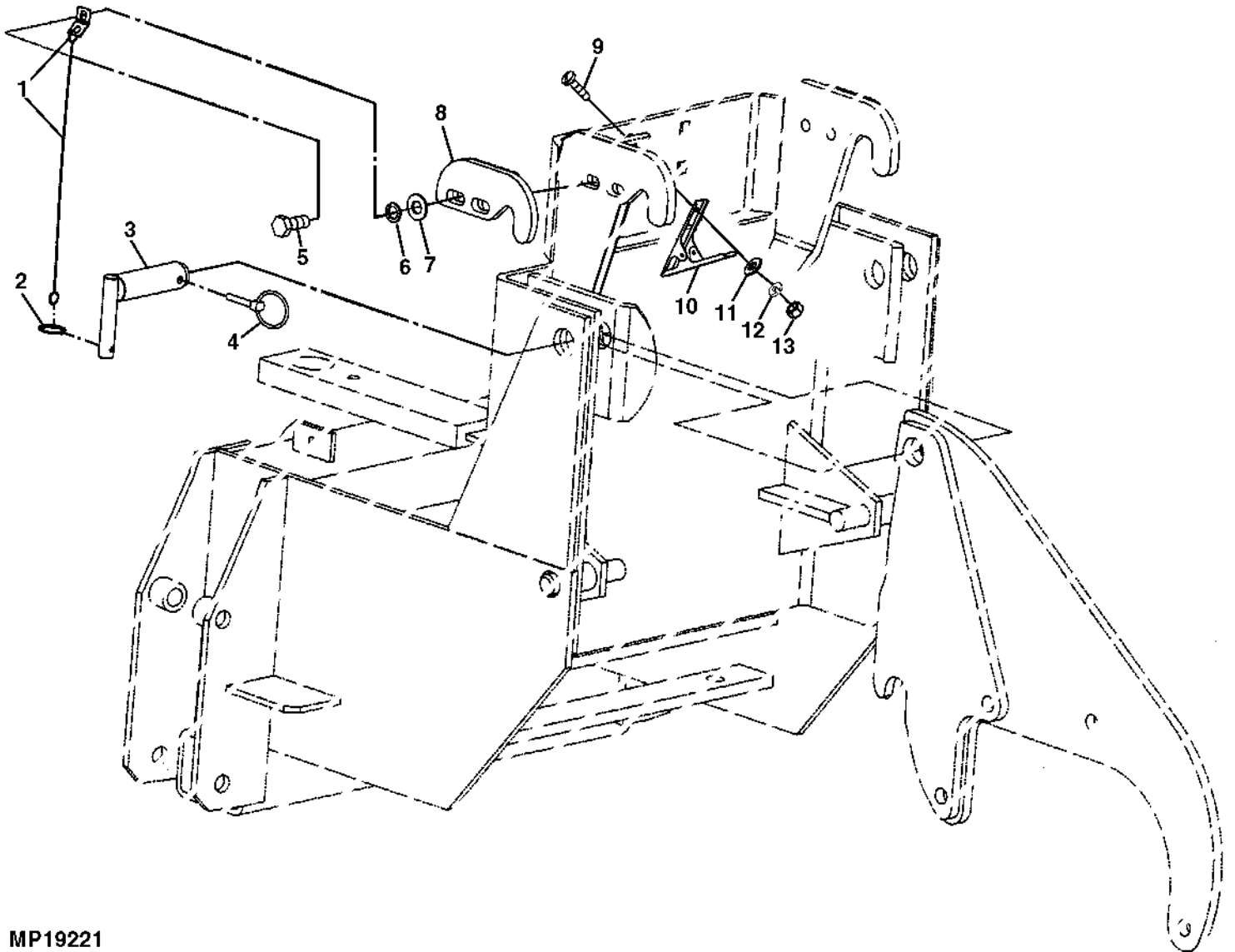
B6

47 BACKHOE

SEAT, BRACKET AND FOOTREST (CONTINUED)

| KEY | PART NO. | PART NAME | QTY | SERIAL NO. | REMARKS |
|-----|----------|-------------|-----|--------------------------|---------|
| 1 | M118632 | SEAT | 1 | | |
| 2 | AM128037 | PLATE | 1 | | |
| 3 | 12H303 | LOCK WASHER | 4 | 5/16" | |
| 4 | 19H2664 | CAP SCREW | 4 | 5/16" X 3/4" | |
| 5 | B14441 | LOCK NUT | 1 | | |
| 6 | AM128036 | BRACKET | 1 | | |
| 7 | M138018 | BOLT | 1 | | |
| 8 | 14H1040 | NUT | 4 | 1/2" | |
| 9 | 12H301 | LOCK WASHER | 4 | 1/2" | |
| 10 | 03H1519 | BOLT | 4 | 3/8" X 1" | |
| 11 | H76696 | LOCK NUT | 4 | | |
| 12 | 24H1136 | WASHER | 4 | 11/32" X 11/16" X 0.065" | |
| 13 | 24H1305 | WASHER | 4 | 13/32" X 13/16" X 0.065" | |
| 14 | 12H304 | LOCK WASHER | 4 | 3/8" | |
| 15 | 14H1076 | NUT | 4 | 3/8" | |
| 16 | 03H1268 | BOLT | 4 | 5/16" X 3/4" | |
| 17 | M138040 | PLATE | 1 | | |
| 18 | AM127732 | PLATE | 1 | | |
| 19 | 03H1499 | BOLT | 1 | 1/2" X 1-1/2" | |

ATTACHING PARTS
ACCESSOIRES
ANBAUTEILE
BULLONERIA DI FISSAGGIO
PIEZAS DE ACOPLAMIENTO
FAESTDETALJER
MP19221 -UN-31JUL98



MP19221

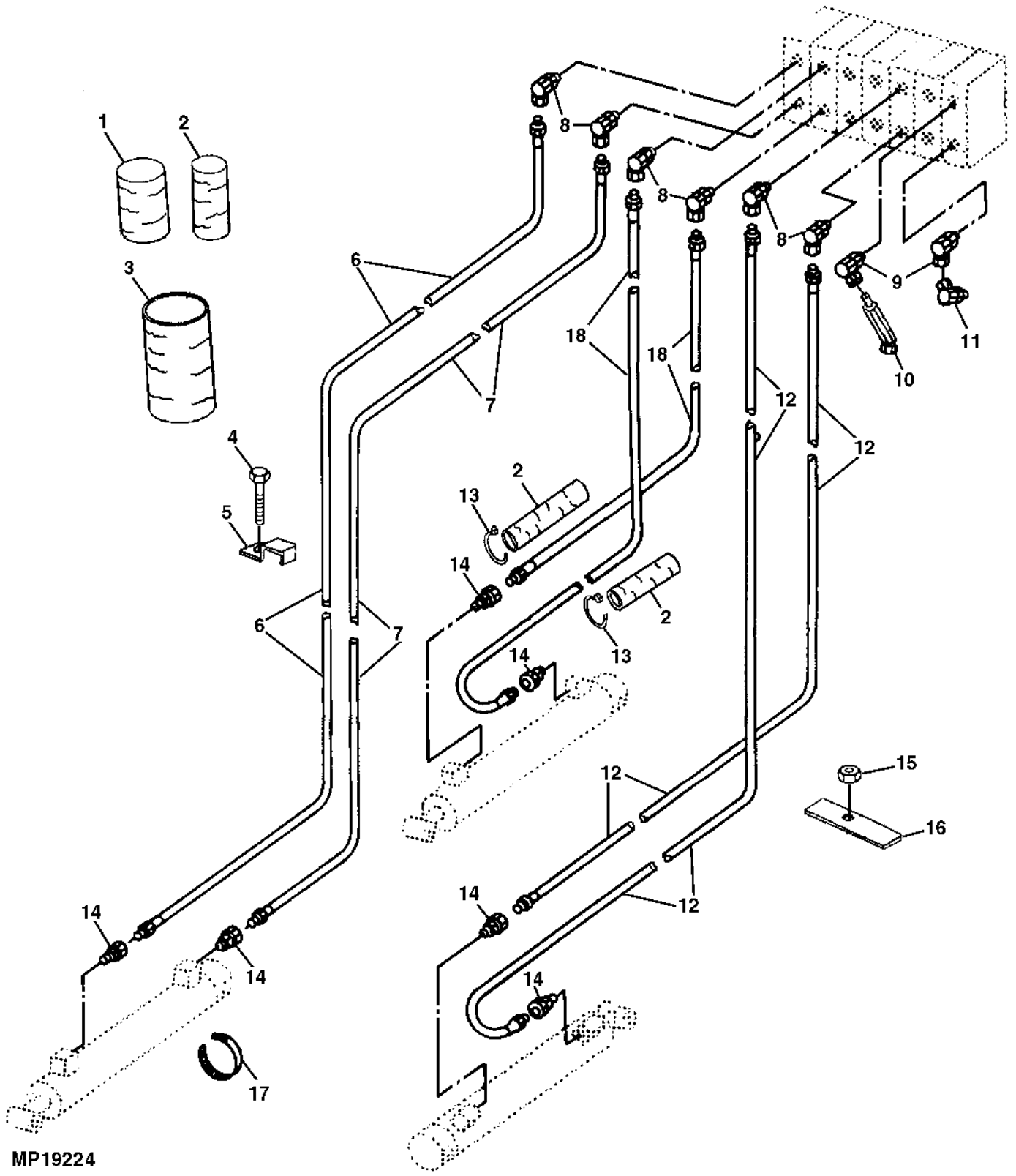
ATTACHING PARTS (CONTINUED)

| KEY | PART NO. | PART NAME | QTY | SERIAL NO. | REMARKS |
|-----|----------|----------------|-----|------------|-------------------------|
| 1 | AM127741 | CABLE | 2 | | |
| 2 | M88183 | RING | 2 | | |
| 3 | AM128038 | PIN | 2 | | |
| 4 | AA21292 | QUICK LOCK PIN | 2 | | |
| 5 | 19H3030 | CAP SCREW | 4 | | 1/2" X 1-1/4" |
| 6 | 12H301 | LOCK WASHER | 4 | | 1/2" |
| 7 | 24H1207 | WASHER | 4 | | 9/16" X 1-3/8" X 0.134" |
| 8 | M137999 | PLATE | 2 | | |
| 9 | M138073 | SCREW | 1 | | |
| 10 | M138078 | CLAMP | 1 | | |
| 11 | M138021 | WASHER | 1 | | |
| 12 | M138020 | LOCK WASHER | 1 | | |
| 13 | M138019 | NUT | 1 | | |

B9

47 BACKHOE

HYDRAULIC LINES (BUCKET/DIPPERSTICK/BOOM)
CONDUITES HYDRAULIQUES (GODET/BRAS DU GODET/FLECHE)
HYDRAULIKSCHLAEUCE (SCHAUFEL, LOEFFELBAGGERSTANGE, LADESCHWINGE)
LINEE IDRAULICHE (BENNA/BILANCIERE/BRACCIO)
LINEAS HIDRAULICAS (CUCHARON/BRAZO/AGUILON)
HYDRAULLEDNINGAR (SKOPA/SKOPSTAG/BOM)
MP19224 -UN-31JUL98



MP19224

B10

47 BACKHOE

HYDRAULIC LINES (BUCKET/DIPPERSTICK/BOOM) (CONTINUED)

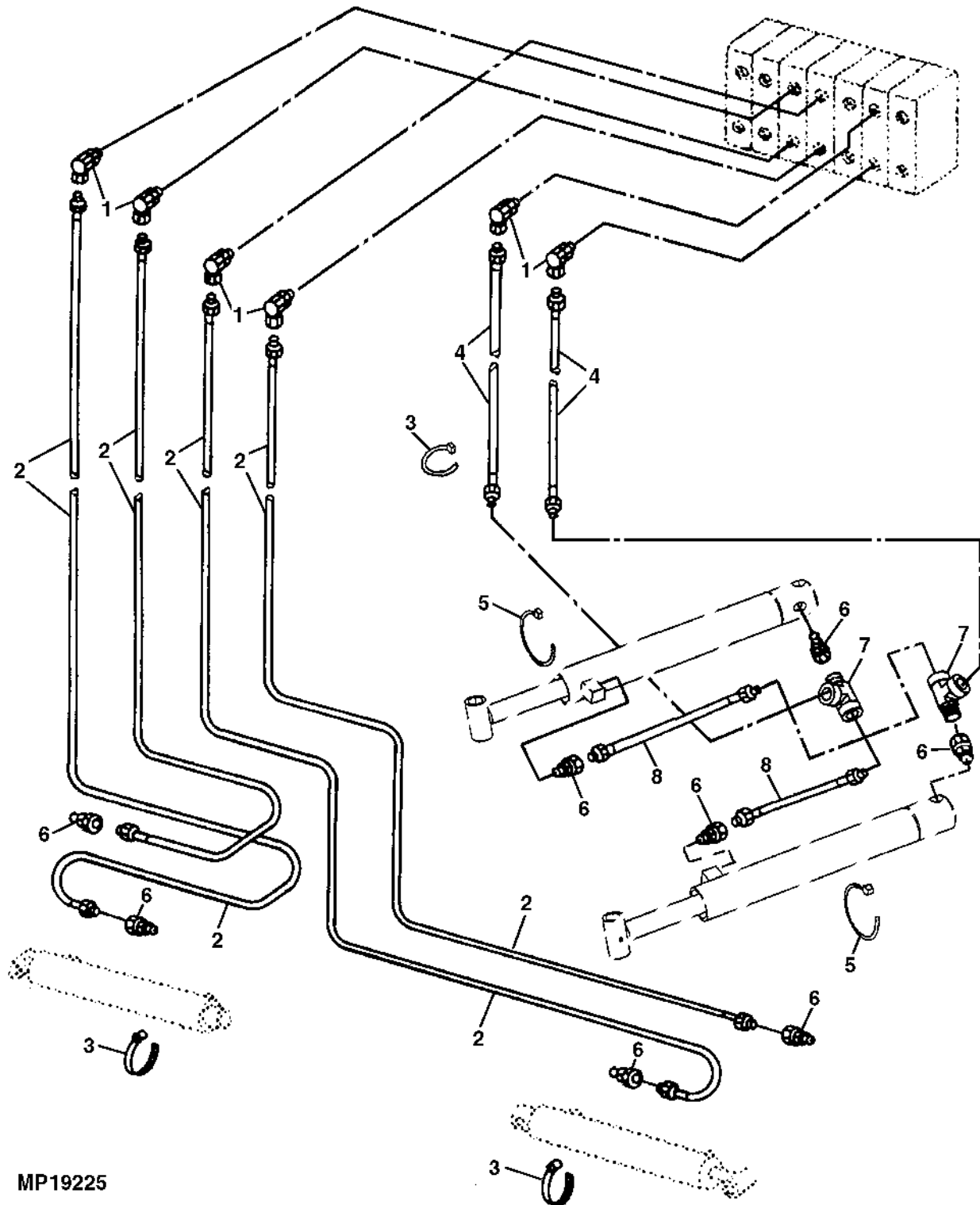
| KEY | PART NO. | PART NAME | QTY | SERIAL NO. | REMARKS |
|-----|----------|----------------|-----|--------------|---------|
| 1 | | SLEEVE | 1 | | |
| 2 | M118634 | SLEEVE | 3 | | |
| 3 | M78720 | HOSE GUARD | 1 | | |
| 4 | 37H57 | SCREW | 1 | 5/16" X 3/4" | |
| 5 | M137954 | CLAMP | 1 | | |
| 6 | PT15589 | HYDRAULIC HOSE | 1 | | |
| 7 | PT15590 | HYDRAULIC HOSE | 1 | | |
| 8 | AM123132 | ELBOW FITTING | 6 | | |
| 9 | AU11752 | FITTING | 2 | | |
| 10 | M138027 | UNION FITTING | 1 | | |
| 11 | TY8702 | FITTING | 1 | | |
| 12 | PT15599 | HYDRAULIC HOSE | 2 | | |
| 13 | H77698 | TIE BAND | 2 | | |
| 14 | AH17169 | ADAPTER | 6 | | |
| 15 | R11151 | LOCK NUT | 1 | | |
| 16 | PT10449 | STRAP | 2 | | |
| 17 | M73027 | TIE BAND | 1 | | |
| 18 | M118650 | HYDRAULIC HOSE | 2 | | |

B11

47 BACKHOE

HYDRAULIC LINES (STABILIZER/SWING)
CONDUITES HYDRAULIQUES (SATILISATEUR/BRAS DE DEBATTEMENT)
HYDRAULIKSCHLAEUCHE (STABILISATOR, SCHWINGARM)
LINEE IDRAULICHE (STABILIZZATORE/BRACCIO OSCILLANTE)
LINEAS HIDRAULICAS (ESTABILIZADORES/BRAZO OSCILANTE)
HYDRAULLEDNINGAR (STABILISATOR/SVAENGANORDNING)

MP19225 -UN-31JUL98

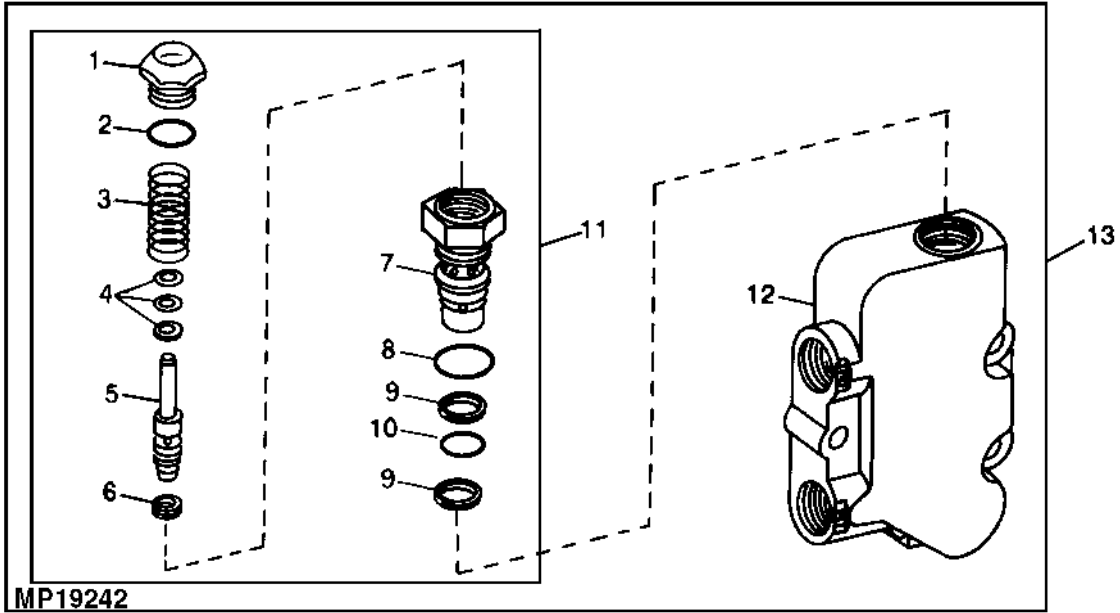


MP19225

HYDRAULIC LINES (STABILIZER/SWING) (CONTINUED)

| KEY | PART NO. | PART NAME | QTY | SERIAL NO. | REMARKS |
|-----|----------|----------------|-----|------------|---------|
| 1 | AM123132 | ELBOW FITTING | 6 | | |
| 2 | AM128068 | HYDRAULIC HOSE | 4 | | |
| 3 | M73027 | TIE BAND | 3 | | |
| 4 | AM128067 | HYDRAULIC HOSE | 2 | | |
| 5 | H77698 | TIE BAND | 2 | | |
| 6 | AH17169 | ADAPTER | 8 | | |
| 7 | M138026 | TEE FITTING | 2 | | |
| 8 | M137937 | HYDRAULIC HOSE | 2 | | |

MAIN RELIEF VALVE
SOUPAPE DE SECURITE PRINCIPALE
HAUPTSICHERHEITSENTIL
VALVOLA DI SICUREZZA PRINCIPALE
VALVULA PRINCIPAL DE DESCARGA
SAEKERHETSVENTIL
 MP19242 -UN-31JUL98

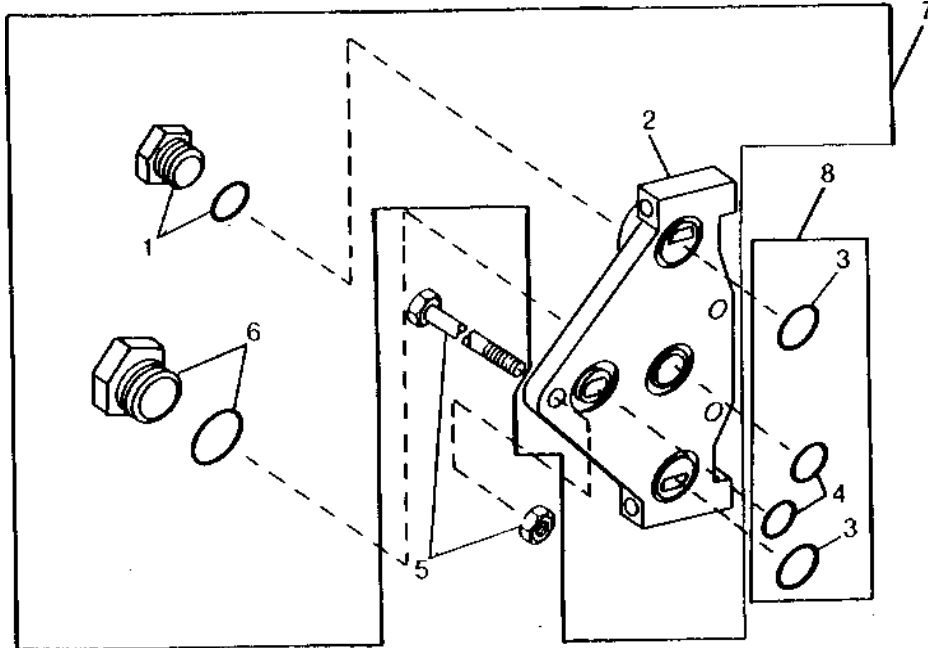


| KEY | PART NO. | PART NAME | QTY | SERIAL NO. | REMARKS |
|-----|----------|--------------|-----|------------|----------------------------------|
| 1 | | CAP | 1 | | |
| 2 | | SEAL | 1 | (A) | |
| 3 | | SPRING | 1 | | |
| 4 | | SHIM | AR | | |
| 5 | | POPPET | 1 | (A) | |
| 6 | | PISTON RING | 1 | (A) | |
| 7 | | HOUSING | 1 | | |
| 8 | | O-RING | 1 | (A) | |
| 9 | | WASHER | 1 | (A) | |
| 10 | | O-RING | 1 | (A) | |
| 11 | AM120982 | RELIEF VALVE | 1 | | |
| 12 | | HOUSING | 1 | | |
| 13 | AM120983 | RELIEF VALVE | 1 | | |
| .. | PT8131 | KIT | 1 | | SEAL (INCLUDES PARTS MARKED (A)) |

B14

47 BACKHOE

END PLATE (RH)
 PLAQUE D'EXTREMITE (RH)
 ENDPLATTE (RH)
 PIASTRA DI FONDO (RH)
 PLACAS DE EXTREMO (RH)
 GAVEL (RH)
 MP13326 -UN-01JAN94



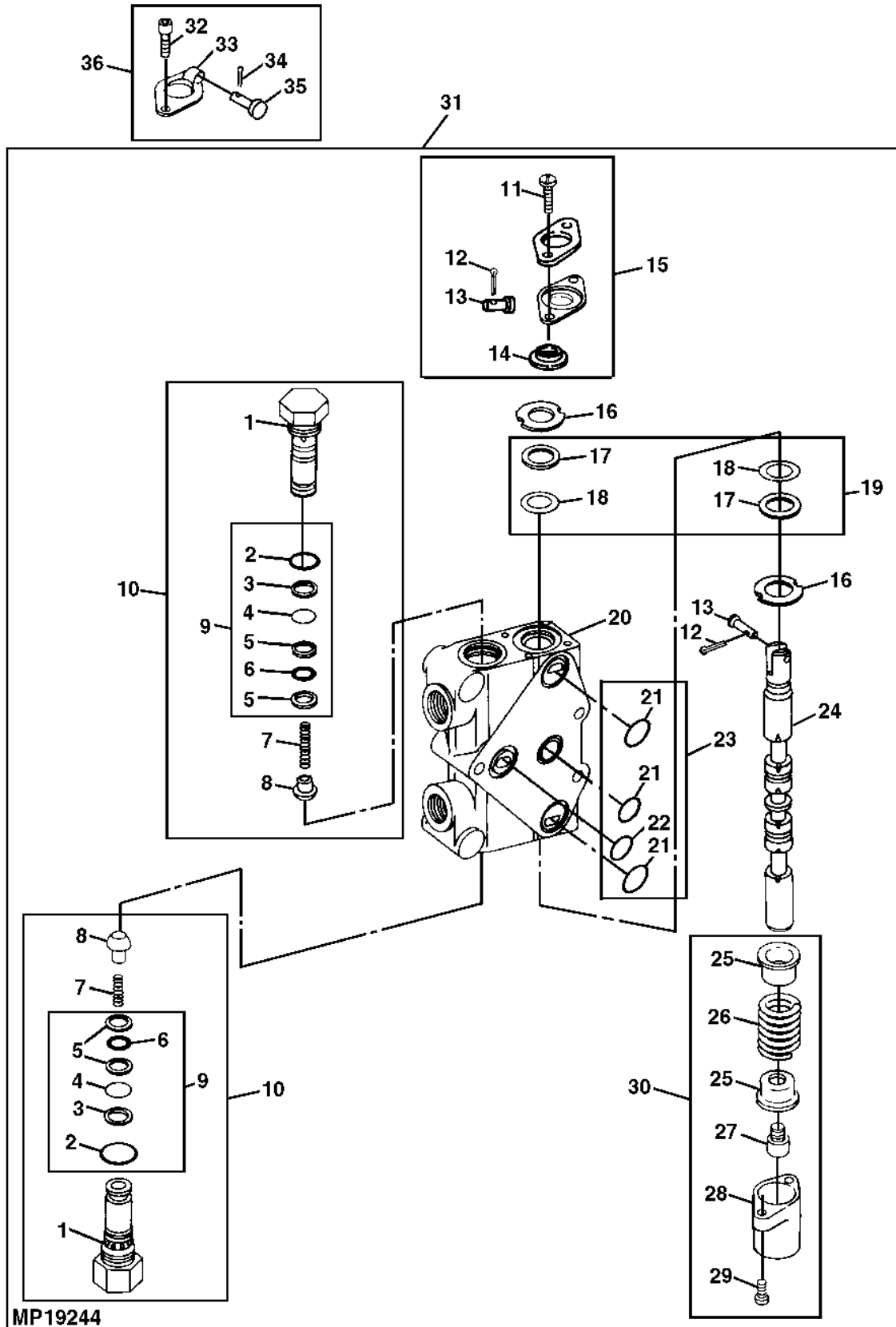
MP13326

| KEY | PART NO. | PART NAME | QTY | SERIAL NO. | REMARKS |
|-----|----------|-------------|-----|------------|--------------------------|
| 1 | | PLUG | 1 | | |
| 2 | | HOUSING | 1 | | |
| 3 | | SEAL | 2 | | EXHAUST |
| 4 | | SEAL | 2 | | PRESSURE |
| 5 | PT8130 | KIT | 1 | | TIE ROD (3 RODS PER KIT) |
| 6 | PT14370 | PLUG | 1 | | |
| 7 | PT8138 | VALVE COVER | 1 | | |
| 8 | AM117715 | KIT | 1 | | SEAL |

B15

47 BACKHOE

VALVE SECTION (STABILIZER)
SECTION VALVES (STABILISATEUR)
VENTILSEKTION (STABILISATOR)
BLOCCO VALVOLE (STABILIZZATORE)
SECCION DE VALVULA (ESTABILIZADOR)
VENTILSEKTION (STABILISATOR)
MP19244 -UN-06AUG98



MP19244

B16

47 BACKHOE

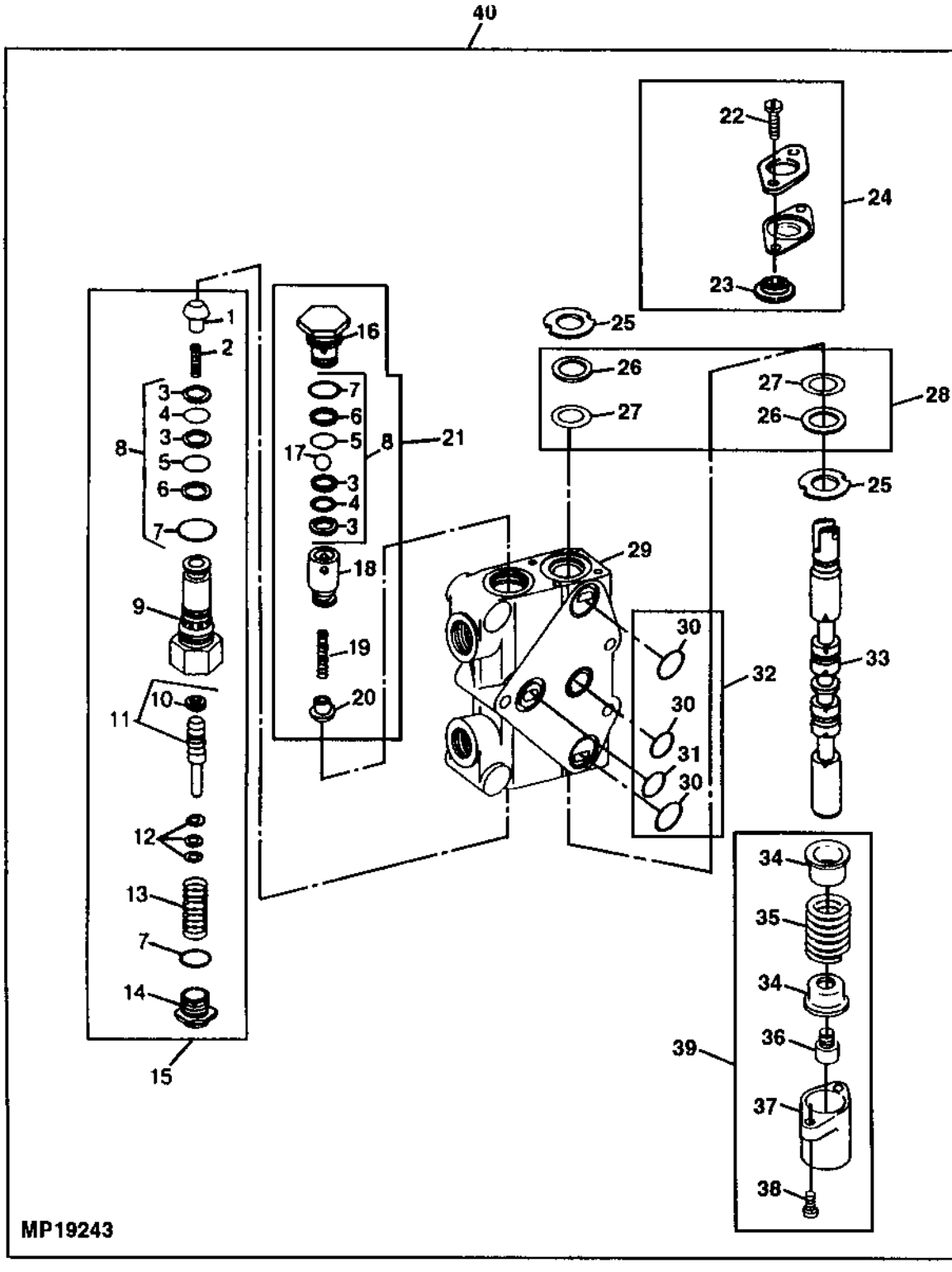
VALVE SECTION (STABILIZER) (CONTINUED)

| KEY | PART NO. | PART NAME | QTY | SERIAL NO. | REMARKS |
|-----|----------|----------------|-----|---------------|-----------------------------|
| 1 | | PLUG | 2 | | |
| 2 | Z29304 | O-RING | 2 | (A) | |
| 3 | T35985 | BACK-UP RING | 2 | (A) | |
| 4 | W19903 | O-RING | 2 | (A) | |
| 5 | T35984 | BACK-UP RING | 4 | (A) | |
| 6 | H63283 | O-RING | 2 | (A) | |
| 7 | T36012 | SPRING | 2 | | |
| 8 | U13616 | POPPET | 2 | | |
| 9 | PT8139 | SEAL KIT | 1 | | |
| 10 | PT8137 | RELIEF VALVE | 2 | | |
| 11 | 21H1305 | SCREW | 2 | 1/4" X 1" | |
| 12 | 11M7081 | COTTER PIN | 1 | 2.500 X 20 MM | |
| 13 | T35986 | PIN | 1 | | |
| 14 | T126105 | SEAL | 1 | | |
| 15 | AT135683 | RETAINER | 1 | | SPOOL SEAL |
| 16 | T104786 | WASHER | 2 | | |
| 17 | T104785 | BACK-UP RING | 2 | | |
| 18 | T57246 | O-RING | 2 | | |
| 19 | AM120974 | SEAL KIT | 1 | | |
| 20 | | HOUSING | 1 | | |
| 21 | | O-RING | 1 | (A) | |
| 22 | | O-RING | 1 | (A) | |
| 23 | AM117715 | KIT | 1 | | SEAL |
| 24 | | SPOOL | 1 | | |
| 25 | T104788 | LOCKING COLLAR | 2 | | |
| 26 | T107593 | SPRING | 1 | | |
| 27 | T104789 | VALVE SPOOL | 1 | | |
| 28 | T104787 | CAP | 1 | | |
| 29 | T106306 | SCREW | 1 | | |
| 30 | PT14445 | KIT | 1 | | SPRING AND CAP |
| 31 | PT8129 | SECTION | 1 | | STABILIZER |
| 32 | T106306 | SCREW | 1 | | |
| 33 | T36103 | BRACKET | 1 | | |
| 34 | 11M7077 | COTTER PIN | 1 | 1.600 X 25 MM | |
| 35 | T35986 | PIN | 1 | | |
| 36 | PT14444 | KIT | 1 | | SEAL PLATE RETAINER |
| .. | PT8140 | SEAL KIT | 1 | | (INCLUDES PARTS MARKED (A)) |

B17

47 BACKHOE

VALVE SECTION (BOOM AND DIPPERSTICK)
SECTION VALVES (FLECHE ET BRAS DU GODET)
VENTILSEKTION (LADESCHWINGE UND LOEFFELBAGGERSTANGE)
BLOCCO VALVOLE (BRACCIO E BILANCIERE)
SECCION DE VALVULA (AGUILON Y BRAZO DEL CUCHARON)
VENTILSEKTION (BOM OCH SKOPSTAG)
MP19243 -UN-20AUG98



MP19243

B18

47 BACKHOE

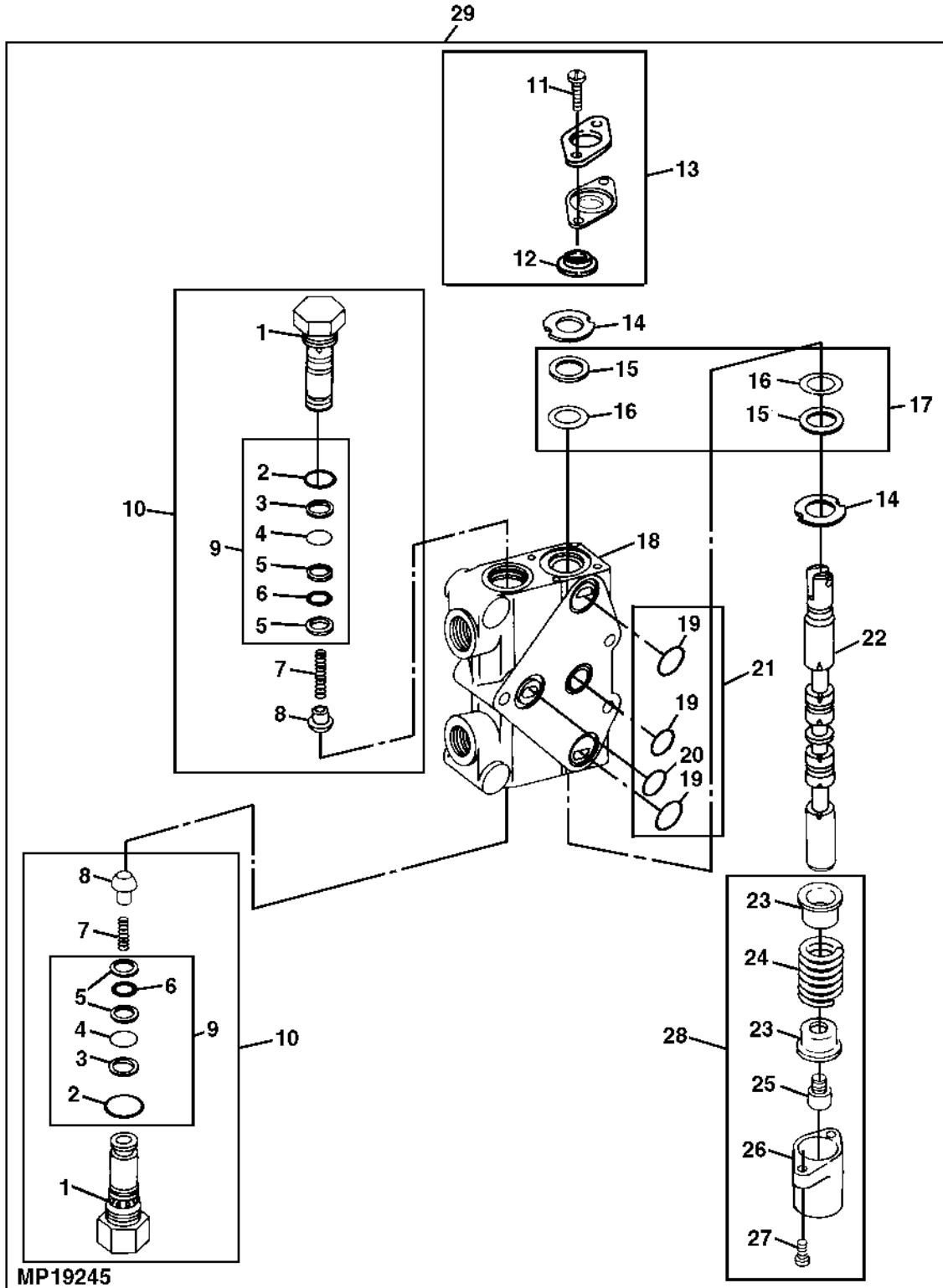
VALVE SECTION (BOOM AND DIPPERSTICK) (CONTINUED)

| KEY | PART NO. | PART NAME | QTY | SERIAL NO. | REMARKS |
|-----|----------|--------------|-----|------------|---|
| 1 | | CAP | 1 | | |
| 2 | | SPRING | 1 | | |
| 3 | | WASHER | 4 | (A) | |
| 4 | | O-RING | 2 | (A) | |
| 5 | | O-RING | 4 | (A) | |
| 6 | | WASHER | 2 | (A) | |
| 7 | | O-RING | 2 | (A) | |
| 8 | PT8139 | SEAL KIT | 2 | (A) | |
| 9 | | HOUSING | 1 | | |
| 10 | | SEAL | 1 | | |
| 11 | AW17093 | KIT | 1 | | RELIEF VALVE |
| 12 | | SHIM | AR | | |
| 13 | | SPRING | 1 | | |
| 14 | | CAP | 1 | | |
| 15 | PT10413 | RELIEF VALVE | 1 | | 2500 PSI (ON DIPPERSTICK VALVE LOCATED IN TOP PORT) |
| 16 | | HOUSING | 1 | | |
| 17 | | BALL | 1 | | |
| 18 | | RETAINER | 1 | | |
| 19 | | SPRING | 1 | | |
| 20 | | CAP | 1 | | |
| 21 | PT8136 | VALVE | 1 | | ANTI-CAVITATION (ON DIPPERSTICK VALVE LOCATED IN BOTTOM PORT) |
| 22 | 21H1142 | SCREW | 4 | | 1/4" X 1/2" |
| 23 | T126105 | SEAL | 1 | | |
| 24 | AT135683 | RETAINER | 1 | | |
| 25 | T104786 | WASHER | 2 | | |
| 26 | T104785 | BACK-UP RING | 2 | | |
| 27 | T57246 | O-RING | 2 | | |
| 28 | AM120974 | SEAL KIT | 1 | | |
| 29 | | HOUSING | 1 | | |
| 30 | | O-RING | 3 | (A) | |
| 31 | | O-RING | 1 | (A) | |
| 32 | AM117715 | KIT | 1 | | SEAL |
| 33 | | SPOOL | 1 | | |
| 34 | T104788 | BUSHING | 2 | | |
| 35 | T107593 | SPRING | 1 | | |
| 36 | T104789 | VALVE SPOOL | 1 | | |
| 37 | T104787 | CAP | 1 | | |
| 38 | T106306 | SCREW | 1 | | |
| 39 | PT14445 | KIT | 1 | | SPRING AND CAP |
| 40 | AM127941 | SECTION | 1 | | BOOM |
| | AM127942 | SECTION | 1 | | DIPPERSTICK |
| .. | PT8140 | KIT | 1 | | SEAL (BOOM AND DIPPERSTICK SECTIONS) (INCLUDES PARTS MARKED (A)) |

B19

47 BACKHOE

VALVE SECTION (BUCKET AND SWING)
SECTION VALVES (GODET ET DEBATTEMENT)
VENTILSEKTION (SCHAUFEL UND SCHWINGE)
BLOCCO VALVOLE (BENNA E BRACCIO OSCILLANTE)
SECCION DE VALVULA (CUCHARON Y BRAZO OSCILANTE)
VENTILSEKTION (SKOPA OCH SVAENGANORDNING)
MP19245 -UN-06AUG98



B20

47 BACKHOE

VALVE SECTION (BUCKET AND SWING) (CONTINUED)

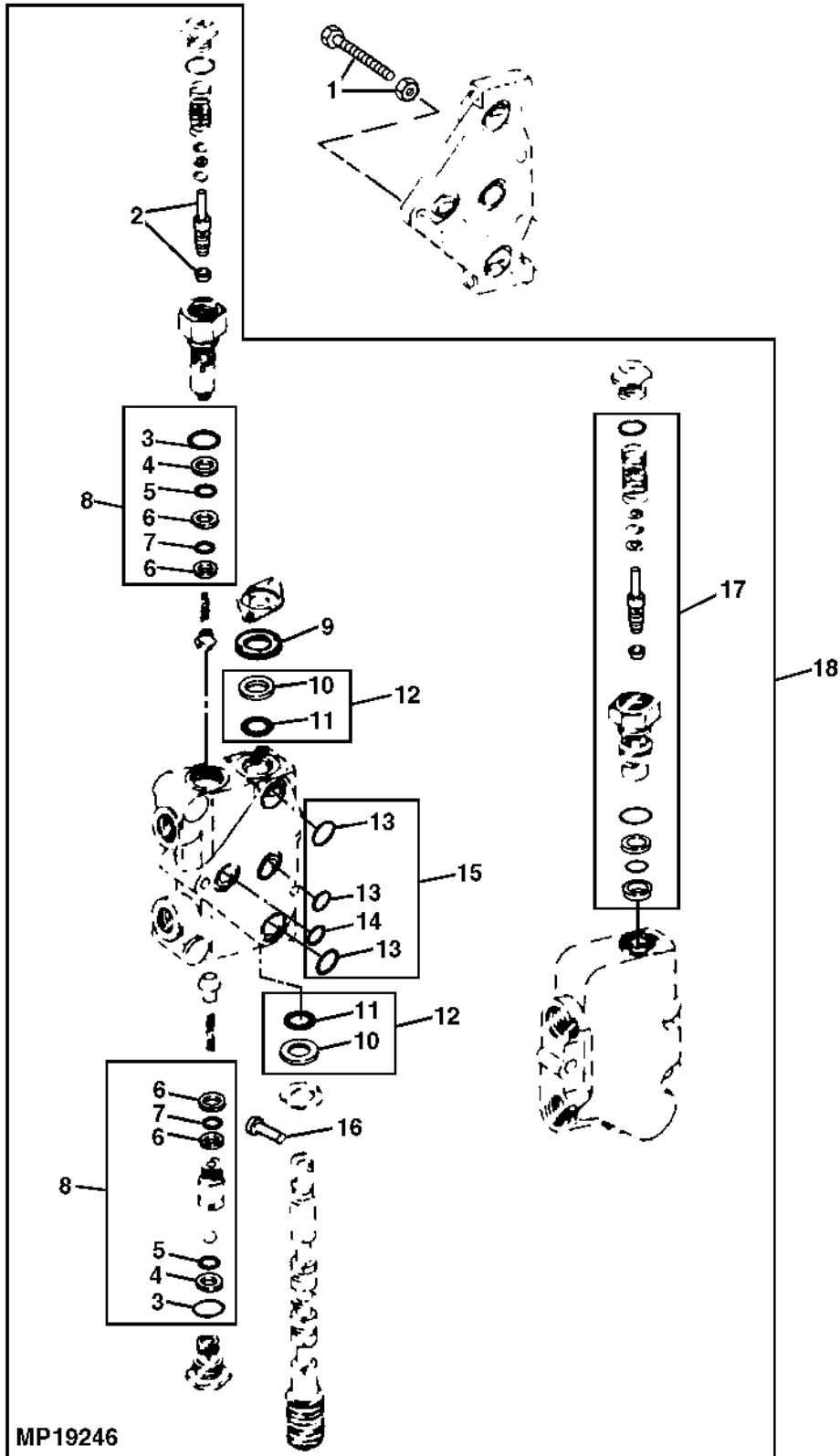
| KEY | PART NO. | PART NAME | QTY | SERIAL NO. | REMARKS |
|-----|----------|----------------|-----|-----------------------------|---------|
| 1 | | PLUG | 2 | | |
| 2 | Z29304 | O-RING | 2 | (A) | |
| 3 | T35985 | BACK-UP RING | 2 | (A) | |
| 4 | W19903 | O-RING | 2 | (A) | |
| 5 | T35984 | BACK-UP RING | 4 | (A) | |
| 6 | H63283 | O-RING | 2 | (A) | |
| 7 | T36012 | SPRING | 2 | | |
| 8 | U13616 | POPPET | 2 | | |
| 9 | PT8139 | SEAL KIT | 1 | | |
| 10 | PT8137 | RELIEF VALVE | 2 | | |
| 11 | 21H1305 | SCREW | 2 | 1/4" X 1" | |
| 12 | T126105 | SEAL | 1 | | |
| 13 | AT135683 | RETAINER | 1 | SPOOL SEAL | |
| 14 | T104786 | WASHER | 2 | | |
| 15 | T104785 | BACK-UP RING | 2 | | |
| 16 | T57246 | O-RING | 2 | | |
| 17 | AM120974 | SEAL KIT | 1 | | |
| 18 | | HOUSING | 1 | | |
| 19 | | O-RING | 1 | (A) | |
| 20 | | O-RING | 1 | (A) | |
| 21 | AM117715 | KIT | 1 | SEAL | |
| 22 | | SPOOL | 1 | | |
| 23 | T104788 | LOCKING COLLAR | 2 | | |
| 24 | T107593 | SPRING | 1 | | |
| 25 | T104789 | VALVE SPOOL | 1 | | |
| 26 | T104787 | CAP | 1 | | |
| 27 | T106306 | SCREW | 1 | | |
| 28 | PT14445 | KIT | 1 | SPRING AND CAP | |
| 29 | AM127943 | SECTION | 1 | BUCKET AND SWING | |
| .. | PT8140 | SEAL KIT | 1 | (INCLUDES PARTS MARKED (A)) | |

B21

47 BACKHOE

VALVE SEAL KIT (FOR ALL VALVE SECTIONS)
JOINT DE VALVE (POUR TOUTES LES SECTIONS VALVES)
VENTILDICHTUNGS-KIT (FUER ALLE VENTILSEKTIONEN)
KIT TENUTA VALVOLE (PER TUTTII BLOCCHI VALVOLE)
JUEGO DE JUNTA DE VALVULA (PARA TODAS LAS SECCIONES DE VALVULA)
VENTILTAETNINGSSATS (FOER ALLA VENTILSEKTIONER)

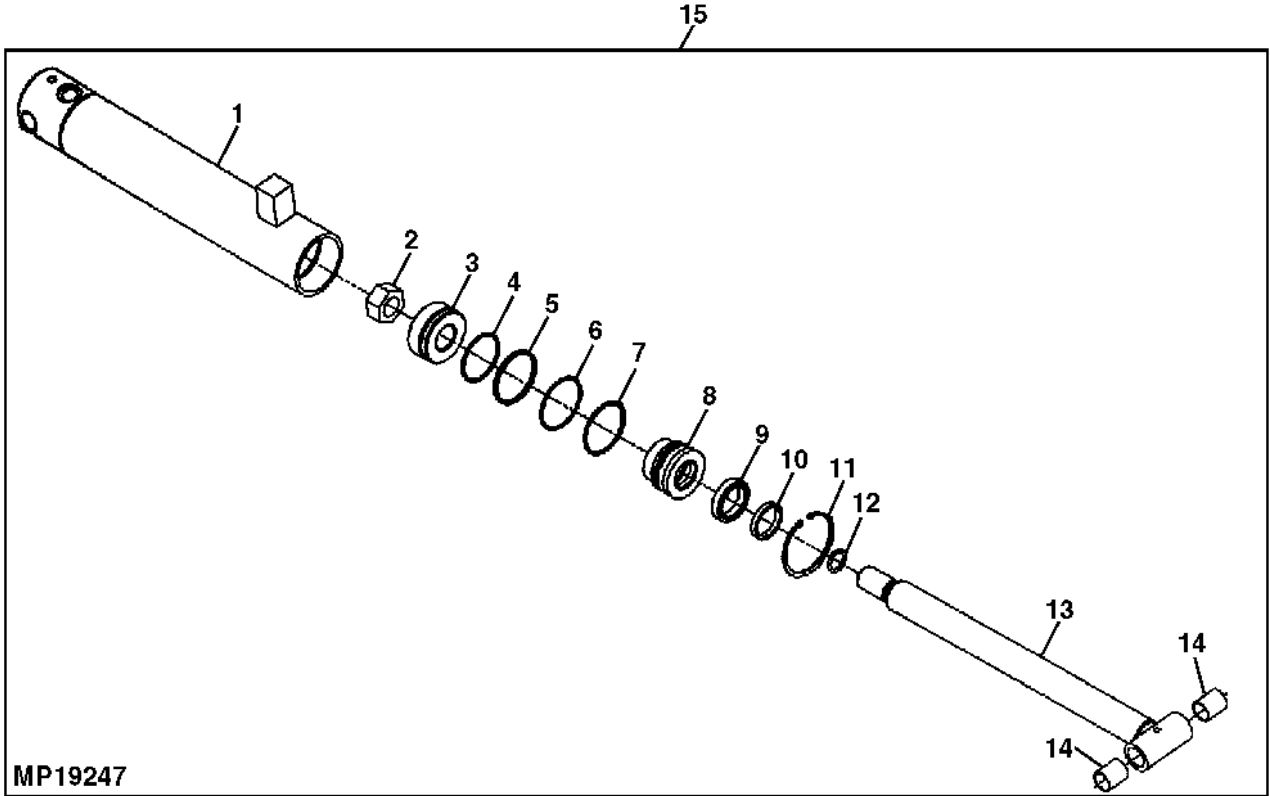
MP19246 -UN-06AUG98



VALVE SEAL KIT (FOR ALL VALVE SECTIONS) (CONTINUED)

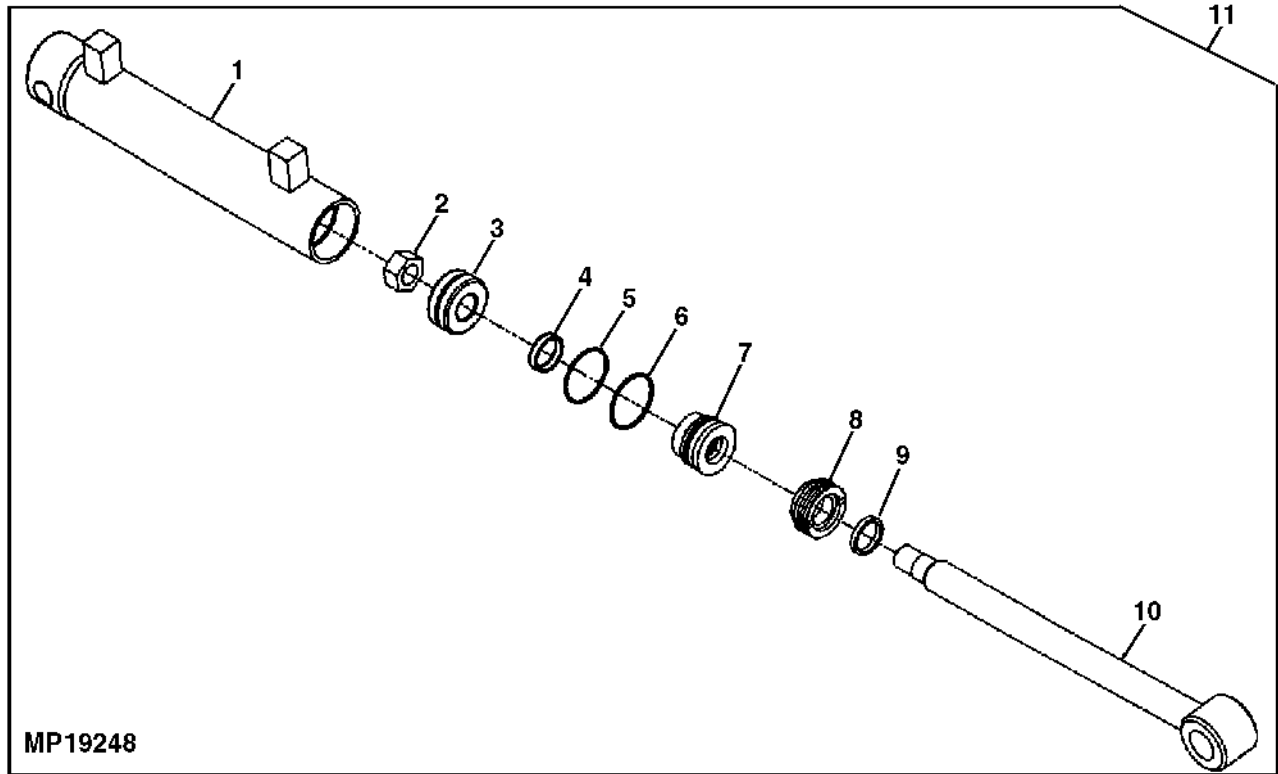
| KEY | PART NO. | PART NAME | QTY | SERIAL NO. | REMARKS |
|-----|----------|--------------|-----|--------------|---|
| 1 | PT8130 | KIT | 3 | | END PLATE |
| 2 | AW17093 | KIT | 2 | | RELIEF VALVE (DIPPERSTICK AND BOOM VALVE SECTIONS) (ON BOOM LOCATED IN BOTTOM PORT) |
| 3 | Z29304 | O-RING | 2 | (A) | |
| 4 | T35985 | BACK-UP RING | 2 | (A) | |
| 5 | W19903 | O-RING | 2 | (A) | |
| 6 | T35984 | BACK-UP RING | 4 | (A) | |
| 7 | H63283 | O-RING | 2 | (A) | |
| 8 | PT8139 | SEAL KIT | 6 | (A) | |
| 9 | T104786 | WASHER | 2 | | |
| 10 | T104785 | BACK-UP RING | 12 | | |
| 11 | T57246 | O-RING | 12 | | |
| 12 | AM120974 | SEAL KIT | 6 | | |
| 13 | | SEAL | 3 | (A) EXHAUST | |
| 14 | | SEAL | 1 | (A) PRESSURE | |
| 15 | AM117715 | KIT | 6 | (A) O-RING | |
| 16 | T35986 | PIN | 1 | | |
| 17 | PT8131 | SEAL KIT | 1 | | MAIN RELIEF VALVE |
| 18 | PT8132 | SEAL KIT | 1 | | |
| .. | PT8140 | SEAL KIT | 1 | | (INCLUDES PARTS MARKED (A)) |

SWING CYLINDER
 VERIN DE BRAS DE DEBATTEMENT
 SCHWINGARMZYLINDER
 CILINDRO DEL BRACCIO OSCILLANTE
 CILINDRO BASCULANTE
 SVAENGANORDNINGENS CYLINDER
 MP19247 -UN-06AUG98



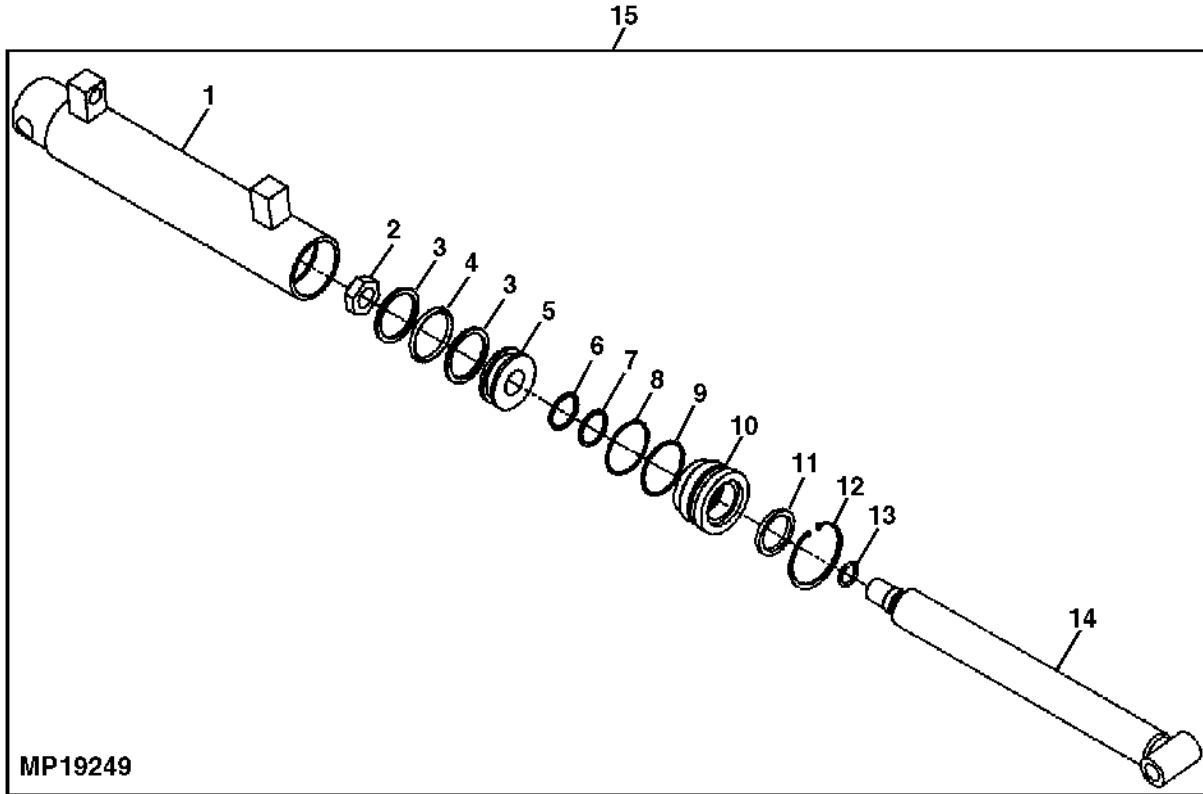
| KEY | PART NO. | PART NAME | QTY | SERIAL NO. | REMARKS |
|-----|----------|--------------------|-----|-----------------------------|---------|
| 1 | AM127916 | TUBE | 1 | | |
| 2 | PT8118 | LOCK NUT | 1 | | |
| 3 | AM127914 | PISTON | 1 | | |
| 4 | | O-RING | 1 | (A) | |
| 5 | | PISTON RING | 1 | (A) | |
| 6 | | O-RING | 1 | (A) | |
| 7 | | BACK-UP RING | 1 | (A) | |
| 8 | AM127925 | SEAL | 1 | | |
| 9 | | SEAL | 1 | (A) ROD | |
| 10 | | SEAL | 1 | (A) WIPER | |
| 11 | | SNAP RING | 1 | (A) | |
| 12 | | O-RING | 1 | (A) | |
| 13 | AM127920 | ROD | 1 | | |
| 14 | M138568 | BEARING | 2 | | |
| 15 | AM127640 | HYDRAULIC CYLINDER | 1 | SWING | |
| .. | AM127928 | SEAL KIT | 1 | (INCLUDES PARTS MARKED (A)) | |

BUCKET CYLINDER
VERIN DU GODET
SCHAUFELZYLINDER
CILINDRO DELLA BENNA
CILINDRO DEL CUCHARON
SKOPCYLINDER
 MP19248 -UN-06AUG98



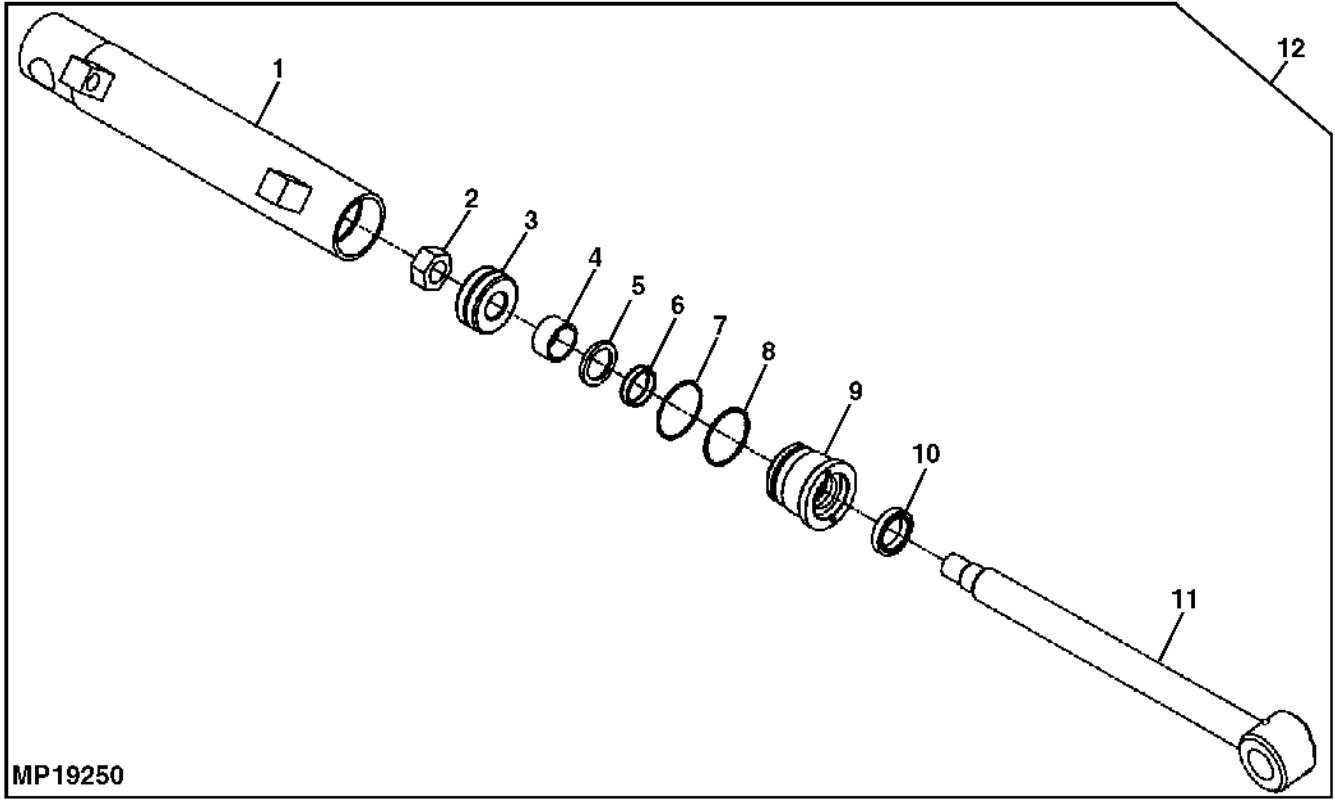
| KEY | PART NO. | PART NAME | QTY | SERIAL NO. | REMARKS |
|-----|----------|--------------------|-----|-----------------------------|---------|
| 1 | AM127917 | TUBE | 1 | | |
| 2 | PT8118 | LOCK NUT | 1 | | |
| 3 | M138572 | PISTON | 1 | | |
| 4 | | SEAL | 1 | (A) ROD | |
| 5 | | O-RING | 1 | (A) | |
| 6 | | BACK-UP RING | 1 | (A) | |
| 7 | AM127926 | SEAL | 1 | | |
| 8 | M121882 | NUT | 1 | | |
| 9 | | SEAL | 1 | (A) WIPER | |
| 10 | AM127921 | ROD | 1 | | |
| 11 | AM127642 | HYDRAULIC CYLINDER | 1 | | |
| .. | AM127929 | SEAL KIT | 1 | (INCLUDES PARTS MARKED (A)) | |

STABILIZER CYLINDER
 VERIN DE STABILISATEUR
 STABILISATORYLINDER
 CILINDRO DELLO STABILIZZATORE
 CILINDRO DEL ESTABILIZADOR
 STABILISATORNS CYLINDER
 MP19249 -UN-06AUG98



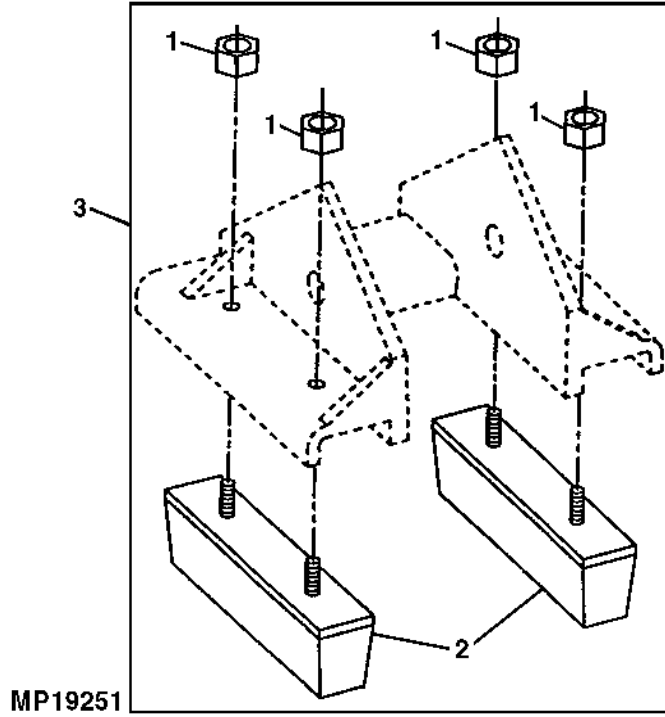
| KEY | PART NO. | PART NAME | QTY | SERIAL NO. | REMARKS |
|-----|----------|--------------------|-----|------------|-----------------------------|
| 1 | AM127918 | TUBE | 1 | | |
| 2 | M80549 | LOCK NUT | 1 | | |
| 3 | | BACK-UP RING | 2 | (A) | |
| 4 | | O-RING | 1 | (A) | |
| 5 | M80174 | PISTON | 1 | | |
| 6 | | O-RING | 1 | (A) | |
| 7 | | BACK-UP RING | 1 | (A) | |
| 8 | | O-RING | 1 | (A) | |
| 9 | | BACK-UP RING | 1 | (A) | |
| 10 | M80175 | CYLINDER HEAD | 1 | | |
| 11 | | SEAL | 1 | (A) | |
| 12 | | SNAP RING | 1 | (A) | |
| 13 | | O-RING | 1 | (A) | |
| 14 | AM127922 | ROD | 1 | | |
| 15 | AM127643 | HYDRAULIC CYLINDER | 1 | | STABILIZER |
| .. | AM36221 | KIT | 1 | | (INCLUDES PARTS MARKED (A)) |

BOOM AND DIPPERSTICK CYLINDER
 VERIN DE LA FLECHE ET DES BRAS DU GODET
 LADESCHWINGE UND LOEFFELBAGGER-ZYLINDER
 CILINDRO DEL BRACCIO E DEL BILANCIERE
 CILINDRO DEL AGUILON Y DEL BRAZO DEL AGUILON
 BOM- OCH SKOPSTAGSCYLINDER
 MP19250 -UN-06AUG98



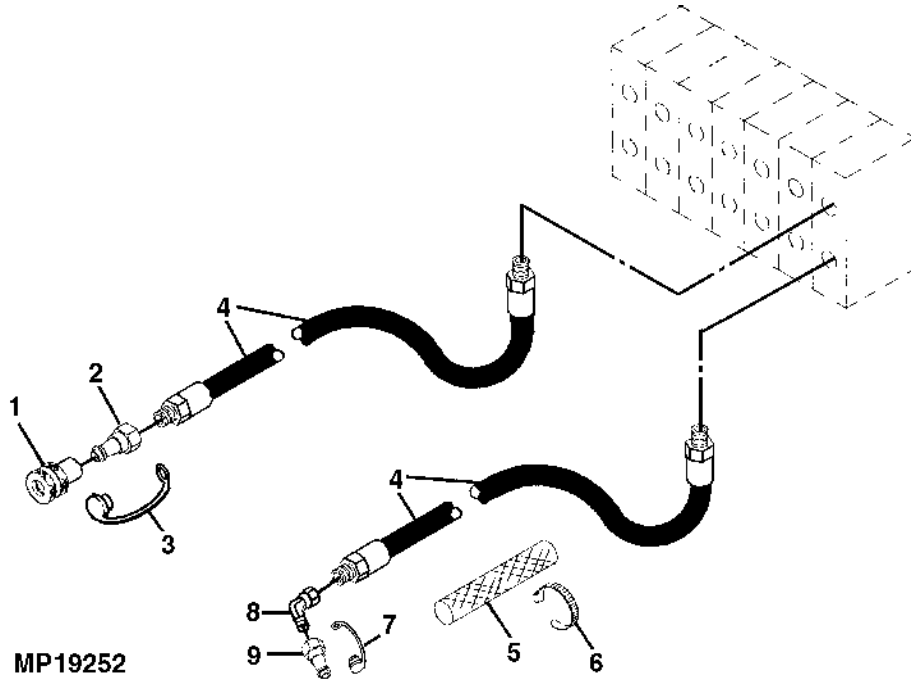
| KEY | PART NO. | PART NAME | QTY | SERIAL NO. | REMARKS |
|-----|----------|--------------------|-----|-----------------------------|---------|
| 1 | AM127919 | TUBE | 1 | | |
| 2 | PT10406 | LOCK NUT | 1 | | |
| 3 | M138575 | PISTON | 1 | | |
| 4 | | WEAR RING | 1 | (A) ROD | |
| 5 | | SEAL | 1 | (A) STEP | |
| 6 | | SEAL | 1 | (A) U-CUP | |
| 7 | | O-RING | 1 | (A) | |
| 8 | | BACK-UP RING | 1 | (A) | |
| 9 | AM127927 | SEAL | 1 | | |
| 10 | | SEAL | 1 | (A) WIPER | |
| 11 | AM127923 | ROD | 1 | | |
| 12 | AM127645 | HYDRAULIC CYLINDER | 1 | | |
| .. | AM127930 | SEAL KIT | 1 | (INCLUDES PARTS MARKED (A)) | |

STREET PAD KIT
 TAMPONS DE STABILISATEUR
 STABILISATOR-GUMMIFUSS-KIT
 KIT PATTINI PER GUIDA SU STRADA
 JUEGO DE ALHOMADILLAS PARA CARRETERA
 SATS MED GUMMISTOED FOER STABILISATOR
 MP19251 -UN-06AUG98



| KEY | PART NO. | PART NAME | QTY | SERIAL NO. | REMARKS |
|-----|----------------|------------|-----|-------------------|---------|
| 1 | H99923 | LOCK NUT | 8 | | |
| 2 | M138567 | PAD | 4 | | |
| 3 | BM19556 | KIT | 1 | STREET PAD | |

PRESSURE AND RETURN HOSES
 CONDUITES DE RETOUR ET DE CHARGE
 DRUCK- UND RUECKKLAUFSCHLAEUICHE
 TUBI FLESSIBILI DI PRESSIONE E DI RITORNO
 MANGUERAS DE PRESION Y RETORNO
 TRYCK- OCH RETURSLANGAR
 MP19252 -UN-06AUG98

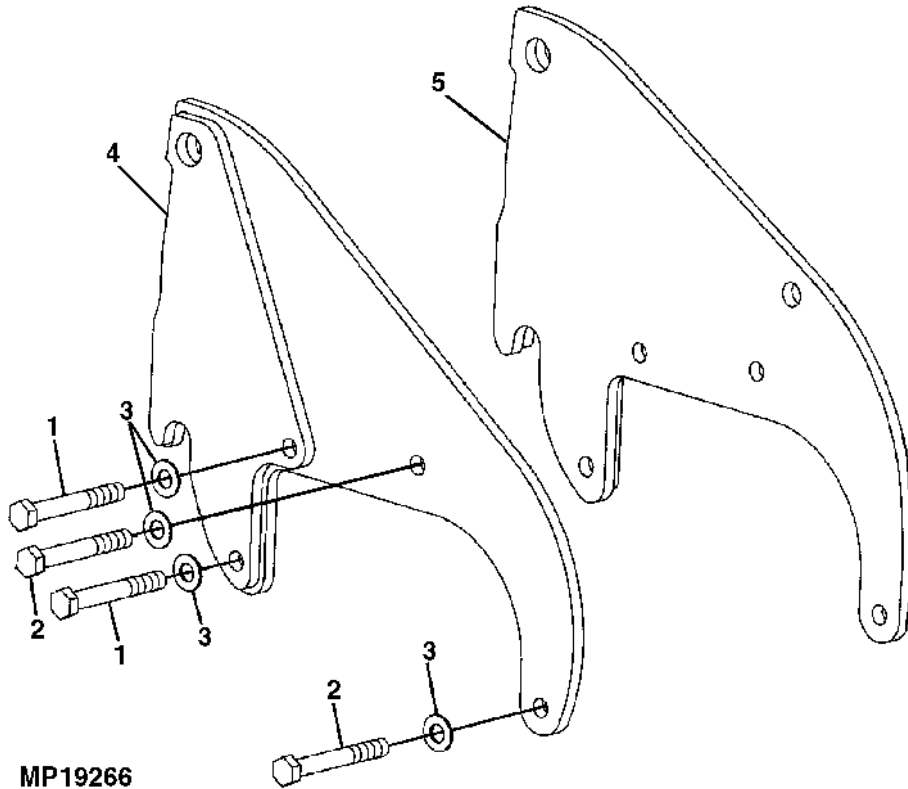


| KEY | PART NO. | PART NAME | QTY | SERIAL NO. | REMARKS |
|-----|----------|----------------------------|-----|------------|---------|
| 1 | AM105466 | HYD. QUICK-CONNECT COUPLER | 1 | | |
| 2 | AM127907 | ADAPTER | 1 | | |
| 3 | ET15511 | CAP | 1 | | |
| 4 | AM127908 | HYDRAULIC HOSE | 2 | | |
| 5 | M96125 | SLEEVE | 1 | | |
| 6 | H77698 | TIE BAND | 5 | | |
| 7 | A15898 | CAP | 1 | | |
| 8 | AM127906 | ADAPTER | 1 | | |
| 9 | AR94522 | QUICK COUPLER | 1 | | |

C4

47 BACKHOE

SIDE PLATE KIT
 PLAQUES LATERALES
 SEITENPLATTEN-KIT
 KIT PIASTRA LATERALE
 JUEGO DE PLACAS LATERALES
 SATS MED SIDOPLAAT
 MP19266 -UN-06AUG98

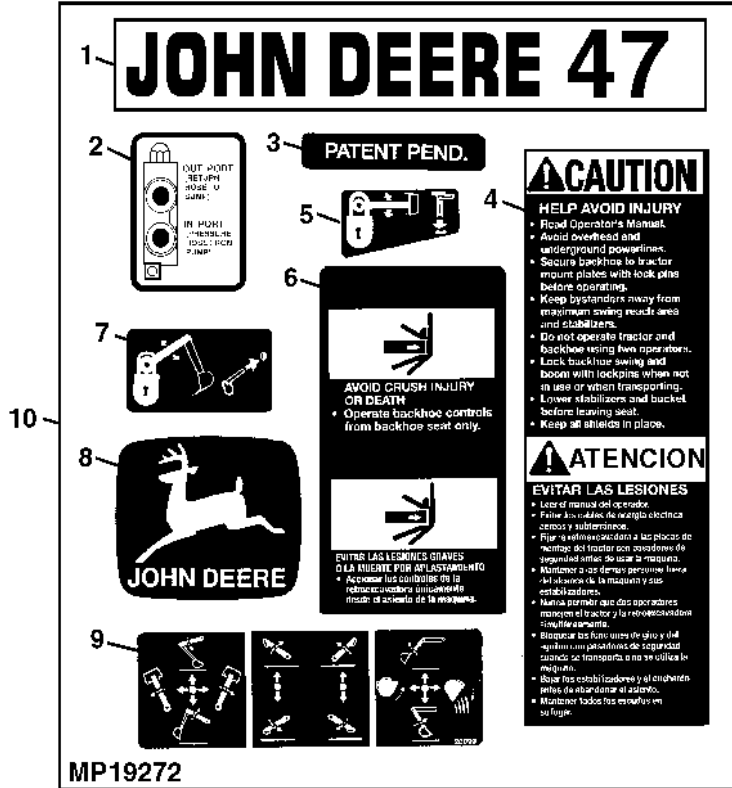


MP19266

| KEY | PART NO. | PART NAME | QTY | SERIAL NO. | REMARKS |
|-----|----------|-----------|-----|------------|---------|
| 1 | M138563 | BOLT | 4 | | |
| 2 | M138562 | BOLT | 4 | | |
| 3 | M138059 | WASHER | 8 | | |
| 4 | AM120556 | PLATE | 1 | | RH |
| 5 | AM120557 | PLATE | 1 | | LH |

LABELS
ADHESIFS
AUFKLEBER
ETICHETTE
ETIQUETAS
ETIKETTER
MP19272

-UN-19AUG98

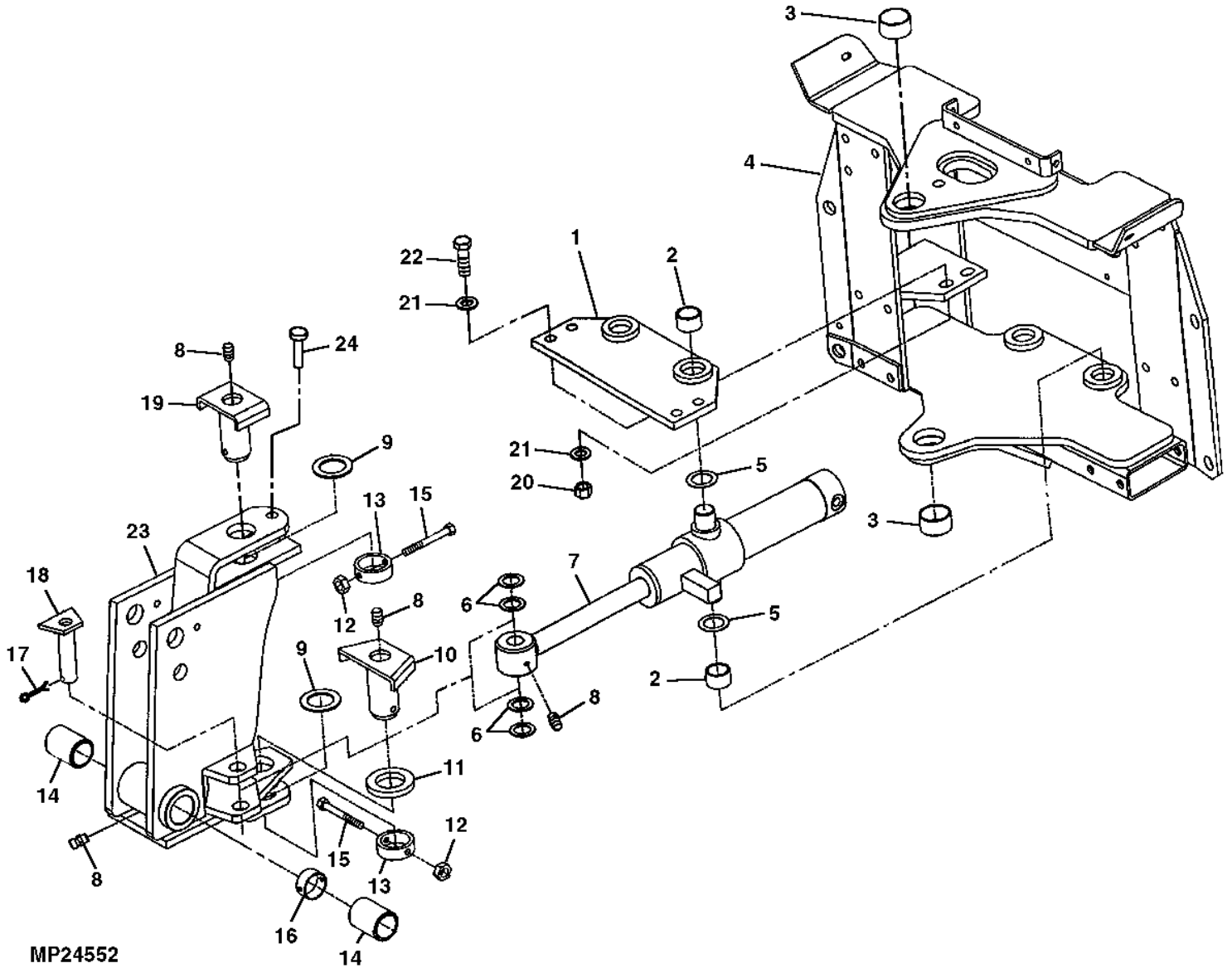


| KEY | PART NO. | PART NAME | QTY | SERIAL NO. | REMARKS |
|-----|----------|-----------|-----|----------------|---------|
| 1 | | LABEL | 2 | MODEL ID (47) | |
| 2 | | LABEL | 1 | INLET/OUTLET | |
| 3 | M139062 | LABEL | 1 | PATENT PENDING | |
| 4 | | LABEL | 2 | CAUTION | |
| 5 | M121869 | LABEL | 1 | SWING LOCK | |
| 6 | M139061 | LABEL | 2 | WARNING | |
| 7 | M121870 | LABEL | 1 | BOOM LOCK | |
| 8 | JD5586 | LABEL | 1 | LEAPING DEER | |
| 9 | | LABEL | 1 | CONTROLS | |
| 10 | AM128192 | LABEL KIT | 1 | MODEL 47 | |

MEMORANDA

MEMORANDA

MAIN FRAME AND SWING FRAME
CADRE PRINCIPAL ET CADRE DE DEBATTEMENT
HAUPTTRAHMEN UND SCHWINGRAHMEN
TELAIO PRINCIPALE E TELAIO OSCILLANTE
CHASIS PRINCIPAL Y CHASIS BASCULANTE
HUVUDRAM OCH SVAENGANORDNINGENS RAM
 MP24552 -UN-07MAR01



MP24552

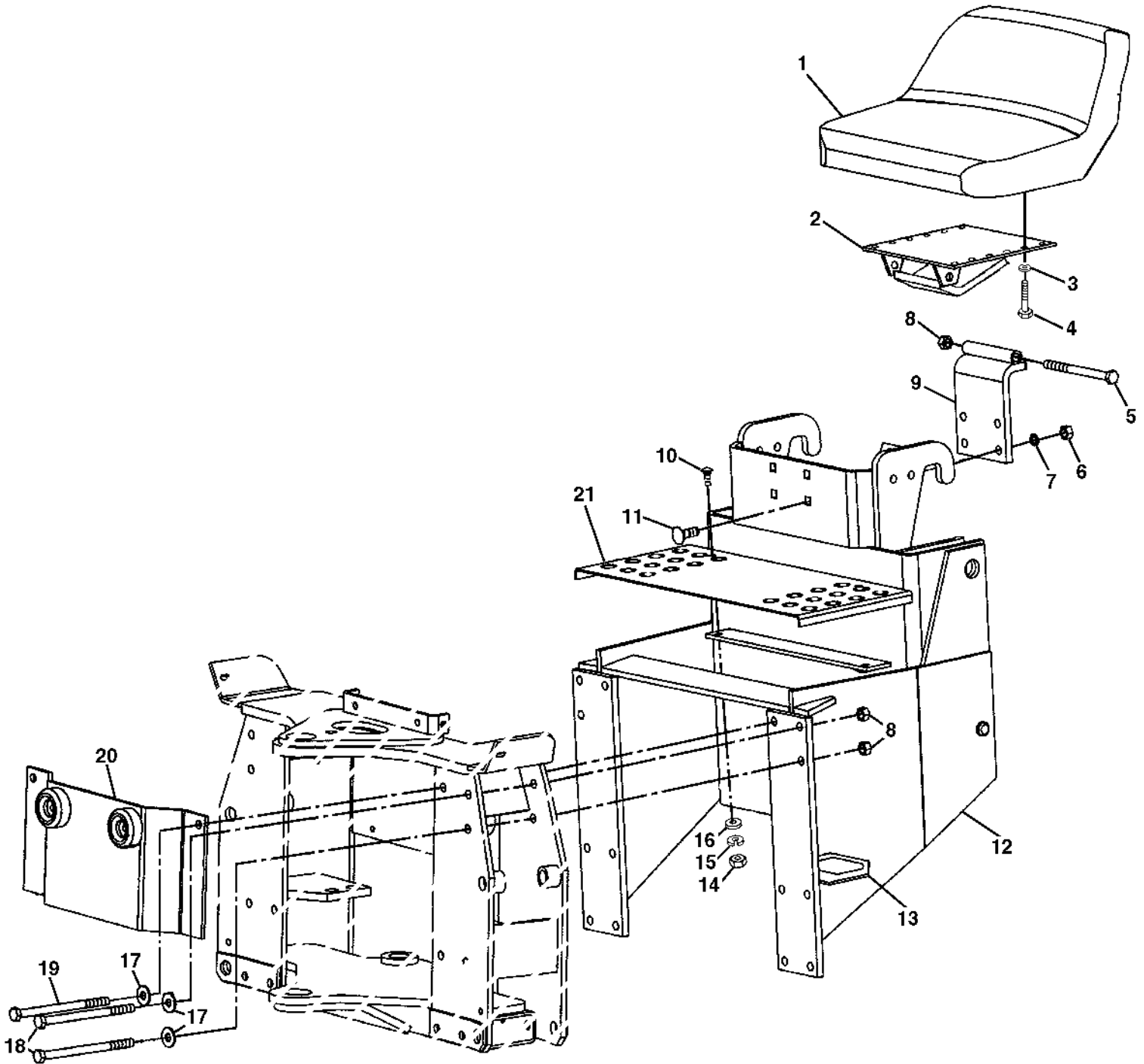
MAIN FRAME AND SWING FRAME (CONTINUED)

| KEY | PART NO. | PART NAME | QTY | SERIAL NO. | REMARKS |
|-----|----------|---------------------|-----|------------|---------------------------|
| 1 | M137985 | PLATE | 1 | | |
| 2 | M137974 | BUSHING | 4 | | |
| 3 | M137930 | BEARING | 2 | | |
| 4 | AM127707 | MAIN FRAME | 1 | | |
| 5 | M138023 | BUSHING | 4 | | |
| 6 | 24H1447 | WASHER | 8 | | 1-1/32" X 1-1/2" X 0.036" |
| 7 | AM127902 | HYDRAULIC CYLINDER | 2 | | |
| 8 | JD7844 | LUBRICATION FITTING | 5 | | |
| 9 | M138024 | BUSHING | 2 | | |
| 10 | AM127709 | PIN | 1 | | |
| 11 | PT10438 | THRUST WASHER | 1 | | |
| 12 | R11151 | LOCK NUT | 2 | | |
| 13 | M137986 | LOCKING COLLAR | 2 | | |
| 14 | PT15104 | BUSHING | 2 | | |
| 15 | M121798 | BOLT | 2 | | |
| 16 | PT15276 | SPACER | 1 | | |
| 17 | 11H215 | COTTER PIN | 2 | | 1/4" X 1-1/2" |
| 18 | AM127710 | PIN | 2 | | |
| 19 | AM127736 | PIN | 1 | | |
| 20 | E57454 | LOCK NUT | 4 | | |
| 21 | M138059 | WASHER | 8 | | |
| 22 | 19H2672 | CAP SCREW | 4 | | 5/8" X 2" |
| 23 | AM127703 | FRAME | 1 | | SWING |
| 24 | PT10429 | PIN | 1 | | SWING LOCK |

C10

48 BACKHOE

SEAT, BRACKET AND FOOTREST (4300/4400 CUT)
SIEGE, SUPPORT ET REPOSE-PIED (4300/4400 CUT)
SITZ, HALTERUNG UND FUSSTUETZE (4300/4400 CUT)
SEDILE, STAFFA E POGGIAPIEDI (4300/4400 CUT)
ASIENTO, SOPORTE Y REPOSAPIES (4300/4400 CUT)
SITS, FAESTE OCH FOTSTOED (4300/4400 CUT)
MP19254 -UN-06AUG98



MP19254

C11

48 BACKHOE

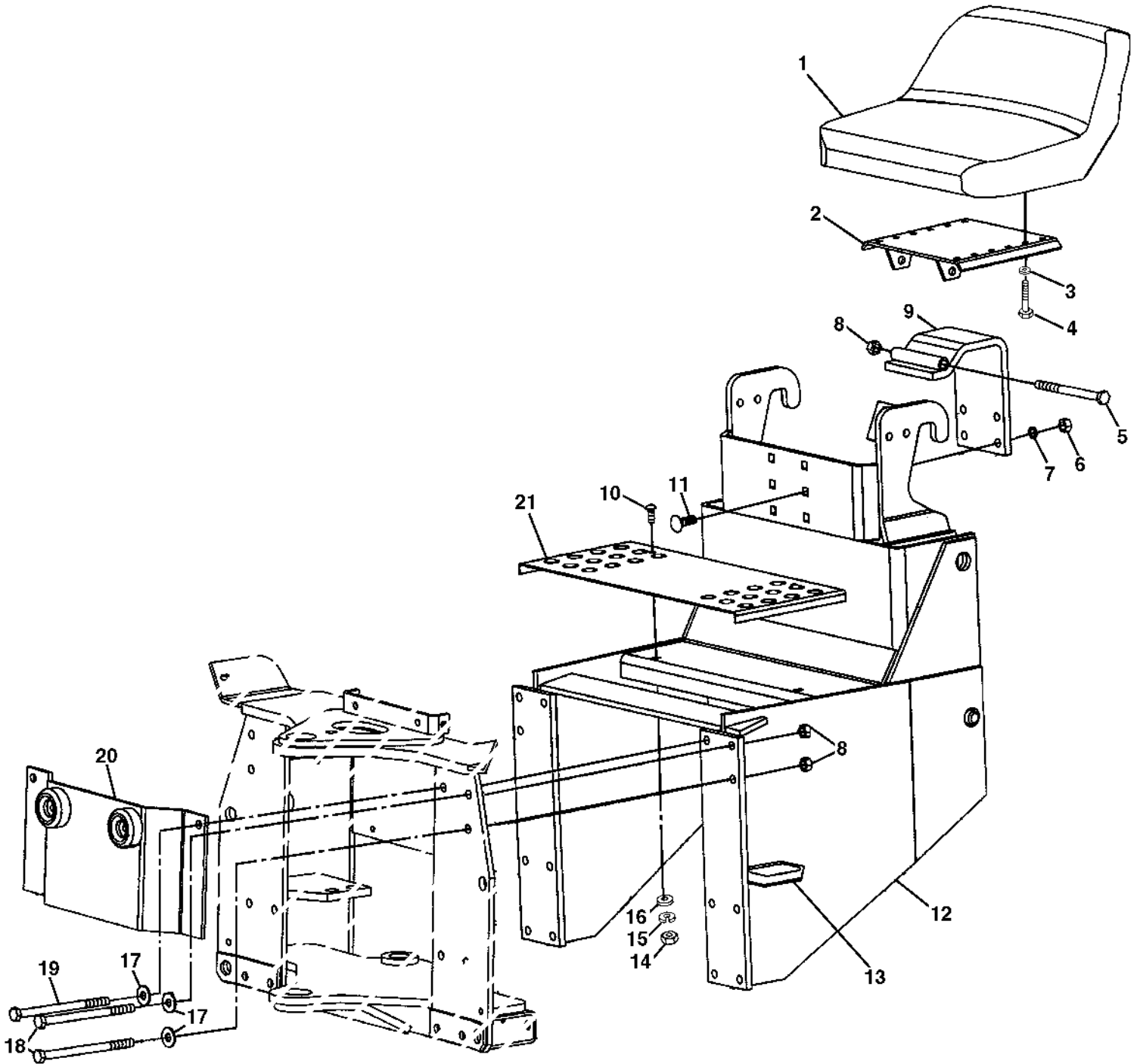
SEAT, BRACKET AND FOOTREST (4300/4400 CUT) (CONTINUED)

| KEY | PART NO. | PART NAME | QTY | SERIAL NO. | REMARKS |
|-----|----------|-------------|-----|---------------------------|---------|
| 1 | M118632 | SEAT | 1 | | |
| 2 | AM128037 | PLATE | 1 | | |
| 3 | 12H303 | LOCK WASHER | 4 | 5/16" | |
| 4 | 19H2551 | CAP SCREW | 4 | 5/16" X 3/4" | |
| 5 | M138018 | BOLT | 1 | | |
| 6 | 14H1040 | NUT | 4 | 1/2" | |
| 7 | 12H303 | LOCK WASHER | 8 | 5/16" | |
| 8 | B14441 | LOCK NUT | 15 | | |
| 9 | AM128036 | BRACKET | 1 | | |
| 10 | 03H1709 | BOLT | 2 | 5/16" X 1" | |
| 11 | 03H1499 | BOLT | 4 | 1/2" X 1-1/2" | |
| 12 | AM127743 | BRACKET | 1 | | |
| 13 | PT8158 | PAD | 2 | | |
| 14 | 14H785 | NUT | 2 | 5/16" | |
| 15 | 12H303 | LOCK WASHER | 2 | 5/16" | |
| 16 | 24H1682 | WASHER | 2 | 13/32" X 7/8" X 0.120" | |
| 17 | 24H1111 | WASHER | 14 | 17/32" X 1-1/16" X 0.090" | |
| 18 | 08H4700 | CAP SCREW | 12 | 1/2" X 7-1/2" | |
| 19 | M138074 | BOLT | 2 | | |
| 20 | | BRACKET | 1 | | |
| 21 | M138080 | PLATE | 1 | | |

C12

48 BACKHOE

SEAT, BRACKET AND FOOTREST (4500/4600 CUT)
SIEGE, SUPPORT ET REPOSE-PIED (4500/4600 CUT)
SITZ, HALTERUNG UND FUSSTUETZE (4500/4600 CUT)
SEDILE, STAFFA E POGGIAPIEDI (4500/4600 CUT)
ASIENTO, SOPORTE Y REPOSAPIES (4500/4600 CUT)
SITS, FAESTE OCH FOTSTOED (4500/4600 CUT)
MP19255 -UN-06AUG98



MP19255

C13

48 BACKHOE

SEAT, BRACKET AND FOOTREST (4500/4600 CUT) (CONTINUED)

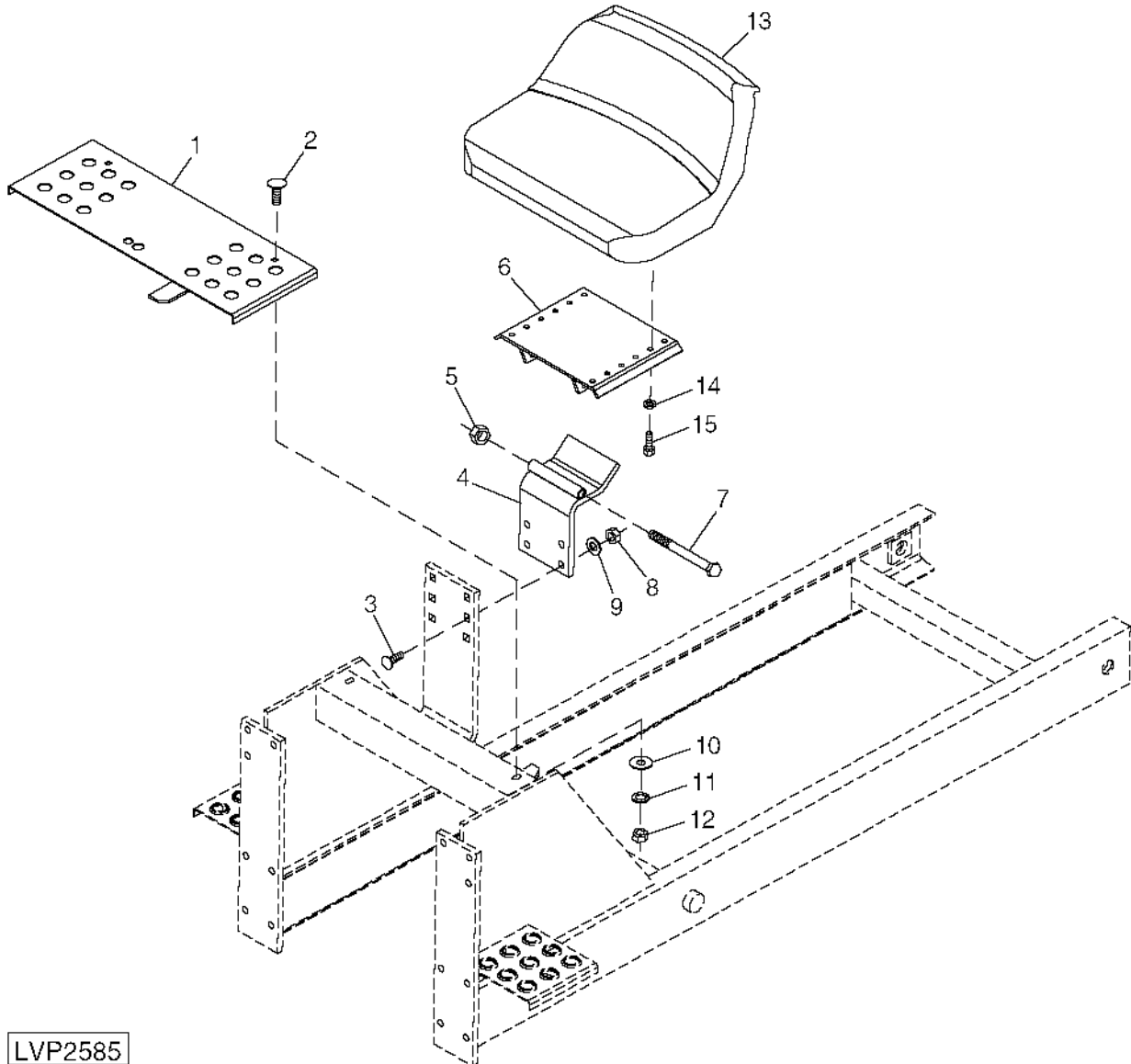
| KEY | PART NO. | PART NAME | QTY | SERIAL NO. | REMARKS |
|-----|----------|-------------|-----|---------------------------|---------|
| 1 | M118632 | SEAT | 1 | | |
| 2 | AM127737 | PLATE | 1 | | |
| 3 | 12H303 | LOCK WASHER | 4 | 5/16" | |
| 4 | 19H2551 | CAP SCREW | 4 | 5/16" X 3/4" | |
| 5 | M138018 | BOLT | 1 | | |
| 6 | 14H1040 | NUT | 4 | 1/2" | |
| 7 | 12H303 | LOCK WASHER | 8 | 5/16" | |
| 8 | B14441 | LOCK NUT | 15 | | |
| 9 | AM127775 | BRACKET | 1 | | |
| 10 | 03H1709 | BOLT | 2 | 5/16" X 1" | |
| 11 | 03H1499 | BOLT | 4 | 1/2" X 1-1/2" | |
| 12 | AM127742 | BRACKET | 1 | | |
| 13 | PT8158 | PAD | 2 | | |
| 14 | 14H785 | NUT | 2 | 5/16" | |
| 15 | 12H303 | LOCK WASHER | 2 | 5/16" | |
| 16 | 24H1682 | WASHER | 2 | 13/32" X 7/8" X 0.120" | |
| 17 | 24H1111 | WASHER | 14 | 17/32" X 1-1/16" X 0.090" | |
| 18 | 08H4700 | CAP SCREW | 12 | 1/2" X 7-1/2" | |
| 19 | M138074 | BOLT | 2 | | |
| 20 | | BRACKET | 1 | | |
| 21 | M138080 | PLATE | 1 | | |

C14

48 BACKHOE

SEAT, BRACKET AND FOOTREST (5105/5205 TRACTORS)
SIEGE, SUPPORT ET REPOSE-PIED (5105/5205 TRACTEURS)
SITZ, HALTERUNG UND FUSSTUETZE (5105/5205 TRAKTOREN)
SEDILE, STAFFA E POGGIAPIEDI (5105/5205 TRATTORI)
ASIENTO, SOPORTE Y REPOSAPIES (5105/5205 TRACTORES)
SITS, FAESTE OCH FOTSTOED (5105/5205 TRAKTORER)

LVP2585 -UN-09JAN01



LVP2585

C15

48 BACKHOE

SEAT, BRACKET AND FOOTREST (5105/5205 TRACTORS) (CONTINUED)

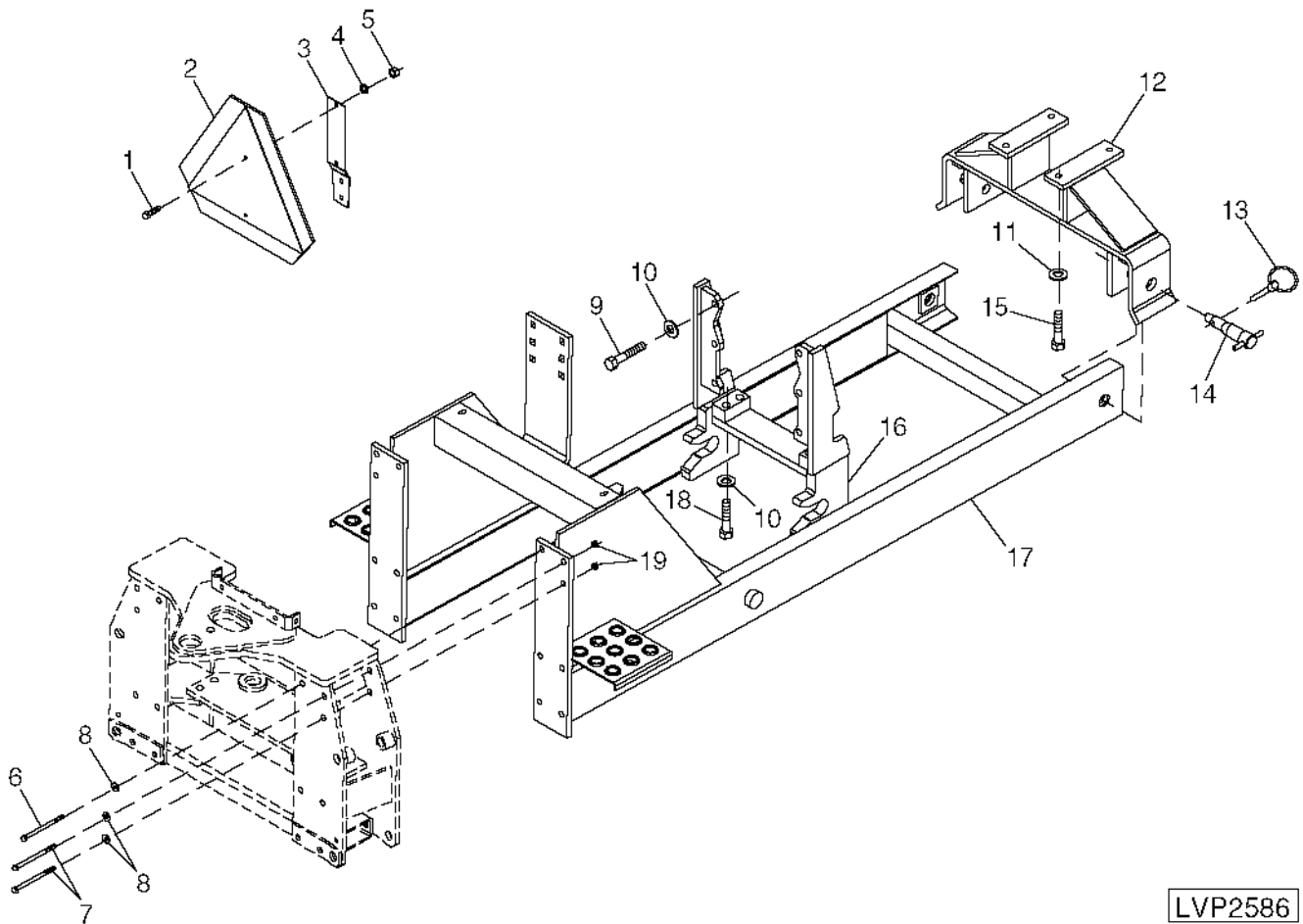
| KEY | PART NO. | PART NAME | QTY | SERIAL NO. | REMARKS |
|-----|----------|-------------|-----|----------------------------|---------|
| 1 | | PLATE | 1 | | |
| 2 | 03H1709 | BOLT | 2 | 5/16" X 1" | |
| 3 | 03H1439 | BOLT | 4 | 1/2" X 1-3/4" | |
| 4 | | PLATE | 1 | | |
| 5 | B14441 | LOCK NUT | 1 | 1/2" | |
| 6 | AM127737 | PLATE | 1 | | |
| 7 | 19H3542 | CAP SCREW | 1 | 1/2" X 6-1/2" | |
| 8 | 14H809 | NUT | 4 | 1/2" | |
| 9 | 12H301 | LOCK WASHER | 4 | 1/2" | |
| 10 | 24H1526 | WASHER | 2 | 1-33/64" X 2-1/4" X 0.075" | |
| 11 | 12H303 | LOCK WASHER | 2 | 5/16" | |
| 12 | 14H785 | NUT | 2 | 5/16" | |
| 13 | M118632 | SEAT | 1 | | |
| 14 | 12H303 | LOCK WASHER | 4 | 5/16" | |
| 15 | 19H2551 | CAP SCREW | 4 | 5/16" X 3/4" | |

C16

48 BACKHOE

SUBFRAME ASSEMBLY AND MISCELLANEOUS PARTS (5105/5205 TRACTORS)
SOUS-CHASSIS ET PIECES DIVERSES (5105/5205 TRACTEURS)
HILFSRAHMEN UND SONSTIGE TEILE (5105/5205 TRAKTOREN)
GRUPPO DEL TELAIO AUSILIARIO E PEZZI VARI (5105/5205 TRATTORI)
CONJUTO DEL SUBCHASIS Y PIEZAS VARIAS (5105/5205 TRACTORES)
RAMBALKSENHET OCH DIVERSE DELAR (5105/5205 TRAKTORER)

LVP2586 -UN-09JAN01



LVP2586

C17

48 BACKHOE

SUBFRAME ASSEMBLY AND MISCELLANEOUS PARTS (5105/5205 TRACTORS) (CONTINUED)

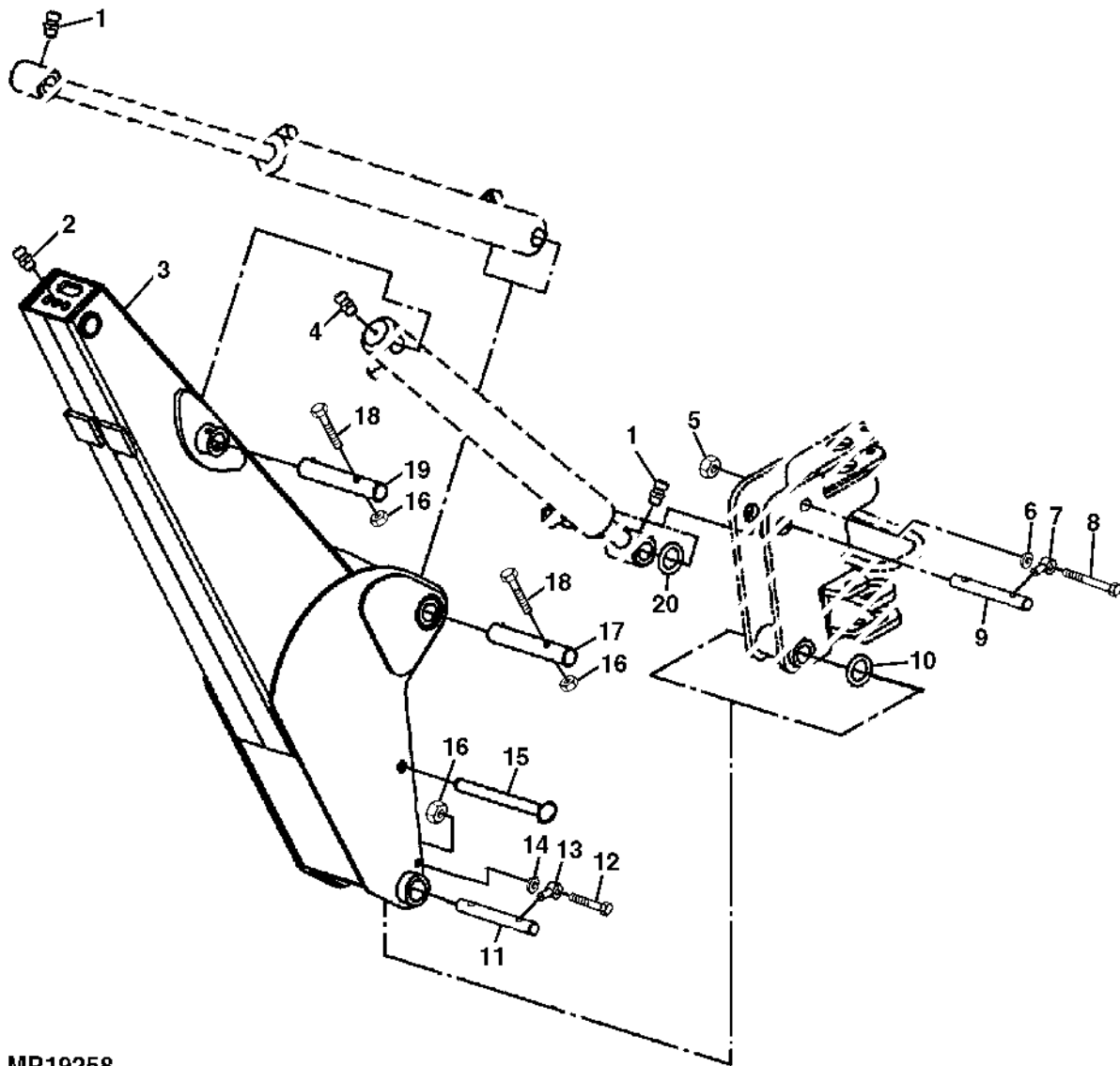
| KEY | PART NO. | PART NAME | QTY | SERIAL NO. | REMARKS |
|-----|----------|----------------|-----|------------|---------------------------|
| 1 | 19H1948 | CAP SCREW | 2 | | 1/4" X 3/4" |
| 2 | TY2615 | SMV EMBLEM | 1 | | |
| 3 | JD5404 | BRACKET | 1 | | |
| 4 | 12H302 | LOCK WASHER | 2 | | 1/4" |
| 5 | 14H786 | NUT | 2 | | 1/4" |
| 6 | 08H4490 | CAP SCREW | 2 | | 1/2" X 8" |
| 7 | 08H4700 | CAP SCREW | 12 | | 1/2" X 7-1/2" |
| 8 | 24H1111 | WASHER | 14 | | 17/32" X 1-1/16" X 0.090" |
| 9 | 19M6579 | CAP SCREW | 6 | | M14 X 50 |
| 10 | R73290 | WASHER | 10 | | |
| 11 | M121819 | WASHER | 4 | | |
| 12 | LVA11361 | SUPPORT | 1 | | (FRONT) |
| 13 | AR60372 | QUICK LOCK PIN | 2 | | |
| 14 | LVA11333 | PIN | 2 | | |
| 15 | 19M3163 | CAP SCREW | 4 | | M12 X 35 |
| 16 | LVA11334 | FRAME | 1 | | |
| 17 | | FRAME | 1 | | |
| 18 | 19M7401 | CAP SCREW | 4 | | M16 X 100 |
| 19 | B14441 | LOCK NUT | 14 | | 1/2" |

C18

48 BACKHOE

BOOM
FLECHE
LADESCHWINGE
BRACCIO
AGUILON
BOM
MP19258

-UN-06AUG98



MP19258

C19

48 BACKHOE

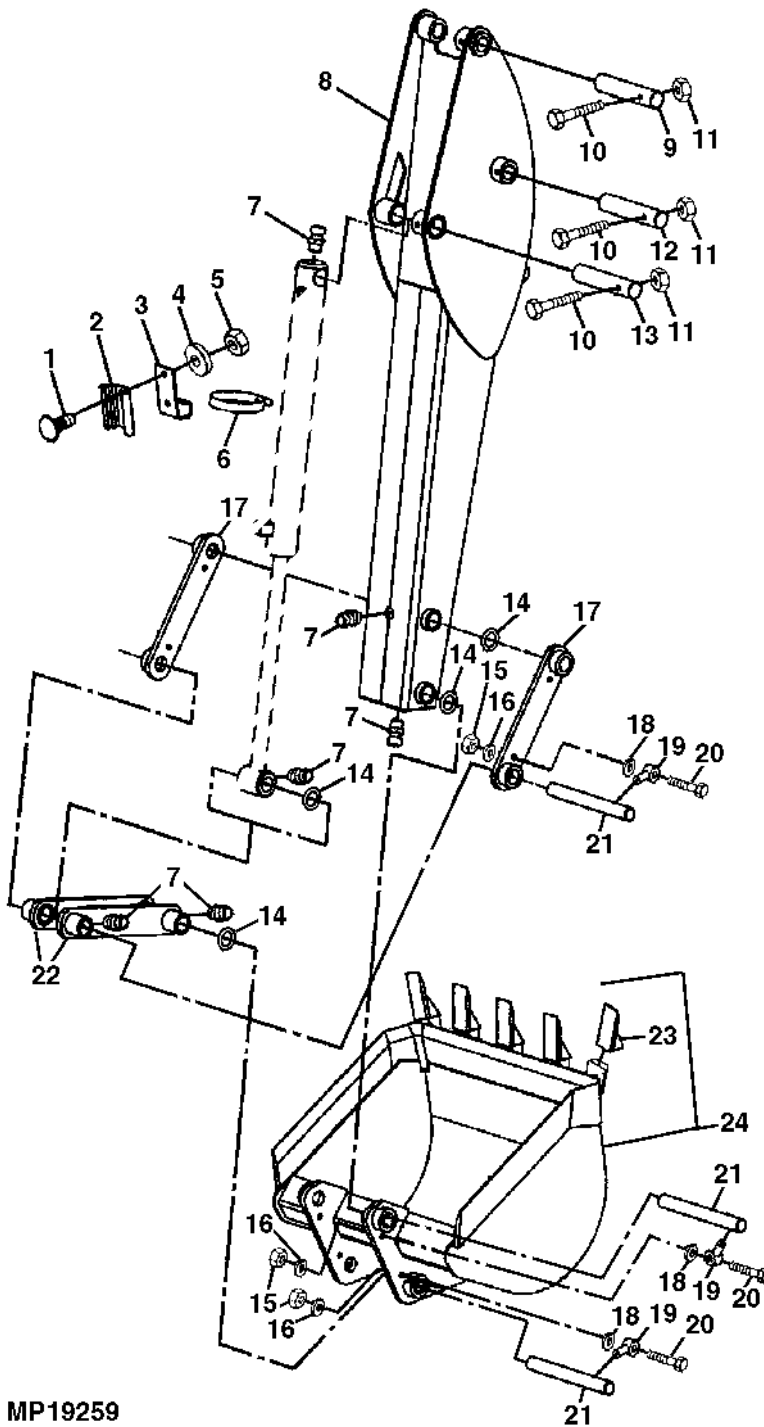
BOOM (CONTINUED)

| KEY | PART NO. | PART NAME | QTY | SERIAL NO. | REMARKS |
|-----|----------|---------------------|-----|------------|----------------------------|
| 1 | M138797 | LUBRICATION FITTING | 2 | | |
| 2 | JD7844 | LUBRICATION FITTING | 1 | | |
| 3 | AM127706 | BACKHOE BOOM | 1 | | |
| 4 | M138067 | LUBRICATION FITTING | 1 | | |
| 5 | H99923 | LOCK NUT | 1 | | |
| 6 | 24H1305 | WASHER | 1 | | 13/32" X 13/16" X 0.065" |
| 7 | M118631 | RETAINER | 1 | | |
| 8 | 19H2345 | CAP SCREW | 1 | | 3/8" X 5-1/2" |
| 9 | PT10436 | PIN | 1 | | |
| 10 | 24H1526 | WASHER | 2 | | 1-33/64" X 2-1/4" X 0.075" |
| 11 | M137987 | PIN | 1 | | |
| 12 | 19H2987 | CAP SCREW | 2 | | 3/8" X 1" |
| 13 | PT14393 | RETAINER | 2 | | |
| 14 | 24H1305 | WASHER | 2 | | 13/32" X 13/16" X 0.065" |
| 15 | M118648 | PIN | 1 | | |
| 16 | F3220R | LOCK NUT | 3 | | |
| 17 | M137990 | PIN | 1 | | |
| 18 | M139053 | BOLT | 2 | | |
| 19 | M137989 | PIN | 1 | | |
| 20 | 24H1495 | WASHER | 2 | | 1-9/32" X 2" X 0.036" |

C20

48 BACKHOE

BUCKET AND DIPPERSTICK
GODET ET BRAS DU GODET
SCHAUFEL UND LOEFFELBAGGERSTANGE
BENNA E BILANCIERE
CUCHARON Y BRAZO DEL CUCHARON
SKOPA OCH SKOPSTAG
MP19259 -UN-06AUG98



MP19259

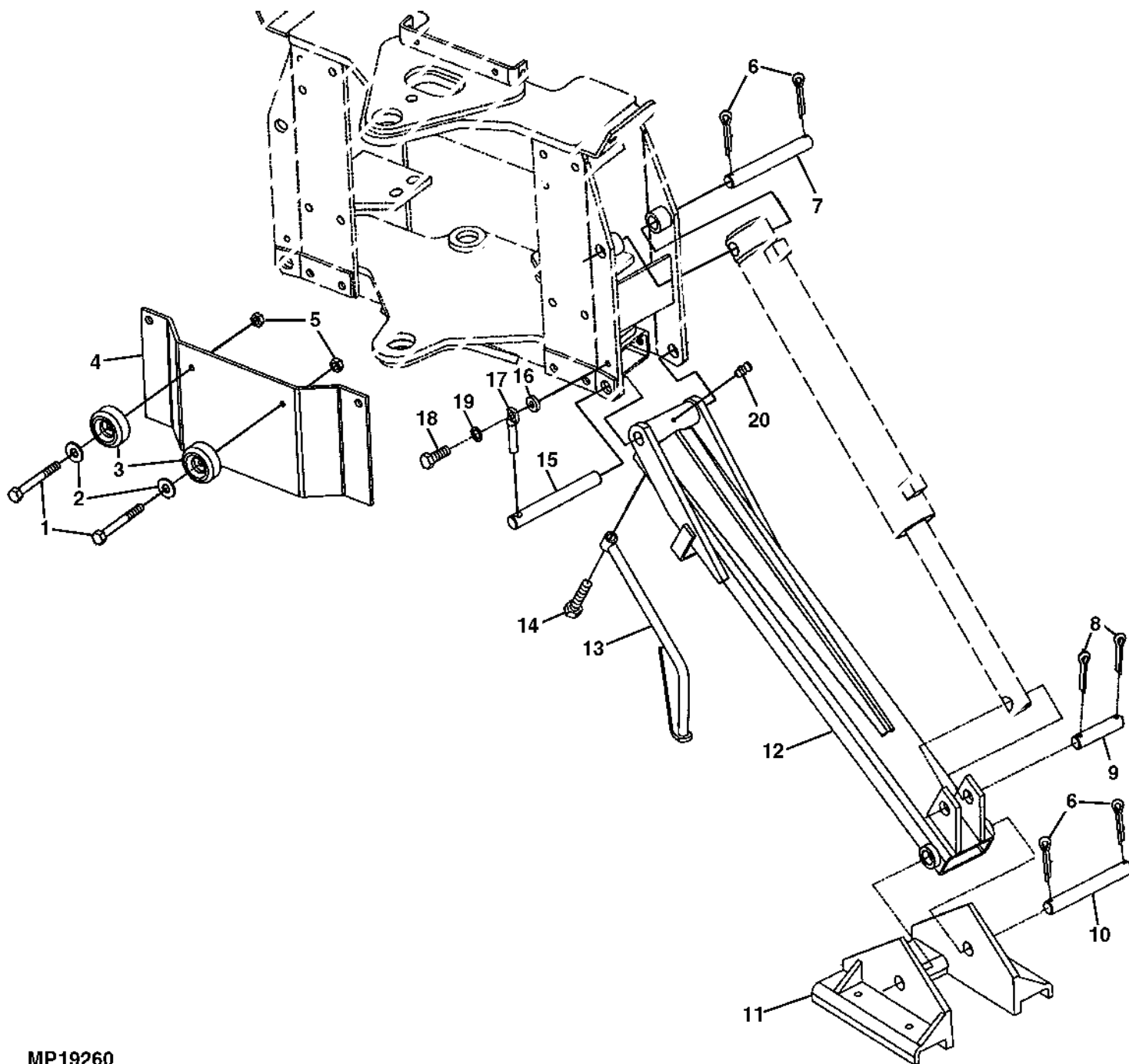
C21

48 BACKHOE

BUCKET AND DIPPERSTICK (CONTINUED)

| KEY | PART NO. | PART NAME | QTY | SERIAL NO. | REMARKS |
|-----------|----------------|-----------------------|----------|--------------------------|---------------------|
| 1 | 03H1268 | BOLT | 2 | 5/16" X 3/4" | |
| 2 | JD126 | SOCKET | 1 | (SMV) | |
| 3 | M118635 | SUPPORT | 1 | (SMV) | |
| 4 | 12H303 | LOCK WASHER | 2 | 5/16" | |
| 5 | 14H785 | NUT | 2 | 5/16" | |
| 6 | TY22471 | CLAMP | 1 | | |
| 7 | JD7844 | LUBRICATION FITTING | 6 | | |
| 8 | AM127705 | DIPPERSTICK | 1 | | |
| 9 | M137991 | PIN | 1 | | |
| 10 | M139053 | BOLT | 3 | | |
| 11 | F3220R | LOCK NUT | 3 | | |
| 12 | M137988 | PIN | 1 | | |
| 13 | M137992 | PIN | 1 | | |
| 14 | M138023 | BUSHING | 6 | | |
| 15 | 14H846 | NUT | 4 | 3/8" | |
| 16 | 12H304 | LOCK WASHER | 4 | 3/8" | |
| 17 | PT12559 | LINK | 2 | | |
| 18 | 24H1305 | WASHER | 8 | 13/32" X 13/16" X 0.065" | |
| 19 | M118631 | RETAINER | 8 | | |
| 20 | 19H2309 | CAP SCREW | 8 | 3/8" X 1-1/4" | |
| 21 | PT10435 | PIN | 4 | | |
| 22 | PT10434 | LINK | 1 | | |
| 23 | U10577 | TOOTH | AR | | BUCKET |
| | PT10430 | TOOTH | AR | | BUCKET (WITH SHANK) |
| 24 | BM19568 | BACKHOE BUCKET | 1 | 12" | |
| | BM19569 | BACKHOE BUCKET | 1 | 18" | |
| | BM19570 | BACKHOE BUCKET | 1 | 24" | |
| | BM19571 | BACKHOE BUCKET | 1 | 36" | |

STABILIZER
STABILISATEUR
STABILISATOR
STABILIZZATORE
ESTABILIZADOR
STABILISATOR
MP19260 -UN-06AUG98



MP19260

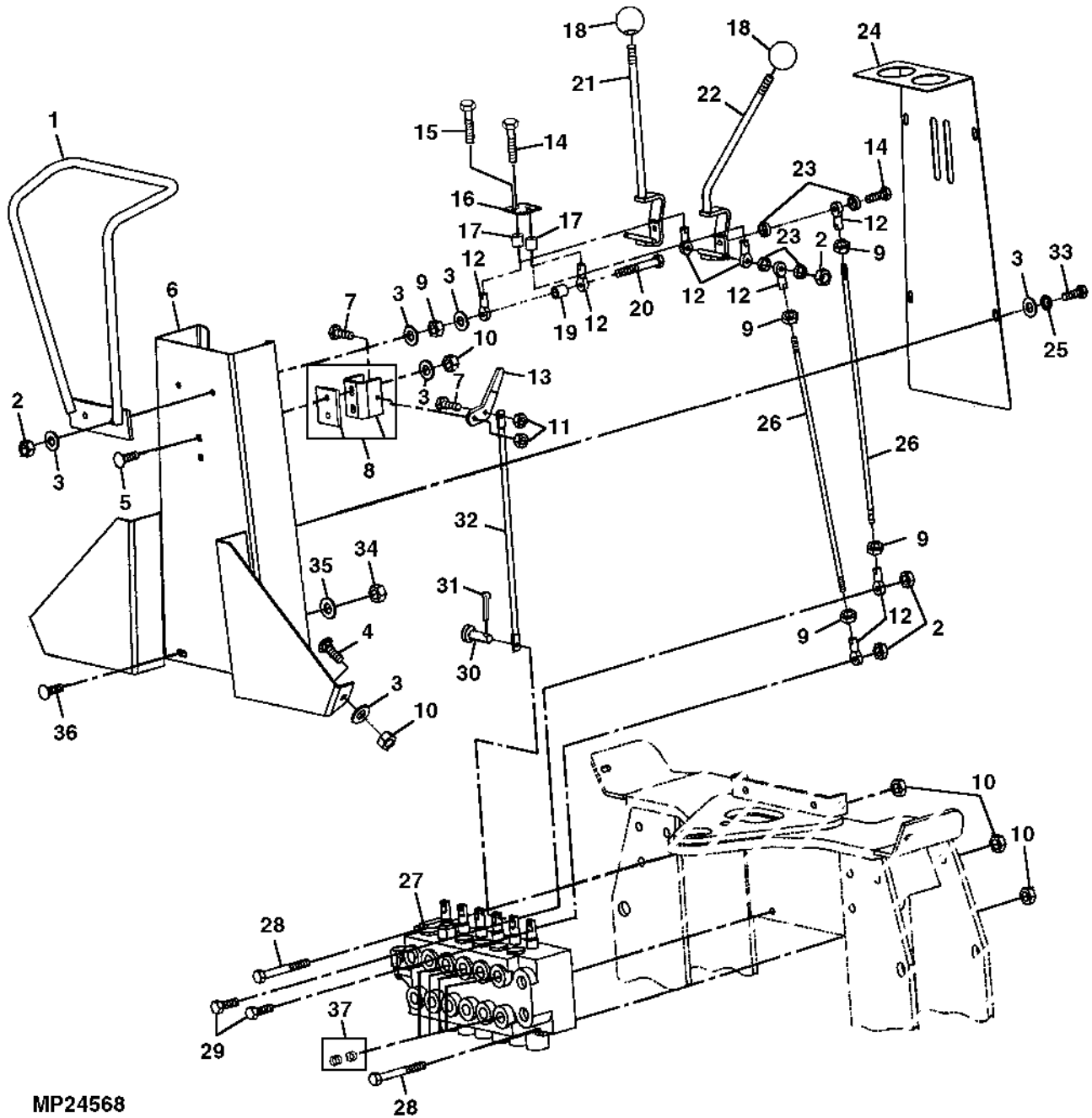
STABILIZER (CONTINUED)

| KEY | PART NO. | PART NAME | QTY | SERIAL NO. | REMARKS |
|-----|----------|---------------------|-----|------------------------|---------|
| 1 | 19H3374 | CAP SCREW | 2 | 5/16" X 1-1/4" | |
| 2 | 24H1682 | WASHER | 2 | 13/32" X 7/8" X 0.120" | |
| 3 | M137934 | BUMPER | 2 | | |
| 4 | M138071 | PLATE | 1 | | |
| 5 | R11151 | LOCK NUT | 2 | | |
| 6 | 11H218 | COTTER PIN | 8 | 3/16" X 1-1/2" | |
| 7 | PT14376 | PIN | 2 | | |
| 8 | 11H215 | COTTER PIN | 4 | 1/4" X 1-1/2" | |
| 9 | PT10453 | PIN | 2 | | |
| 10 | M118651 | PIN | 2 | | |
| 11 | M138065 | STABILIZER FOOT | 2 | | |
| 12 | AM127708 | STABILIZER | 2 | | |
| 13 | AM127712 | STEP | 2 | | |
| 14 | M138055 | BOLT | 2 | | |
| 15 | M137984 | PIN | 2 | | |
| 16 | PT1438Z | SPACER | 2 | | |
| 17 | M118631 | RETAINER | 2 | | |
| 18 | 19H2987 | CAP SCREW | 4 | 3/8" X 1" | |
| 19 | M138057 | LOCK WASHER | 2 | | |
| 20 | M138067 | LUBRICATION FITTING | 2 | | |

C24

48 BACKHOE

CONTROL LINKAGE, HANDLE AND SHROUD (SN -022198)
TOLE DE PROTECTION, POIGNEE ET TRINGLERIE (N.S. -022198)
BEDIENUNGSGESTAENGE, GRIFF UND SCHUTTVORRICHTUNG (SN. -022198)
TIRANTERIA DI COMANDO, MANIGLIA E PROTEZIONE (N SER -022198)
ENGANCHE DE CONTROL, MANGO Y RECUBRIMIENTO (NO SER -022198)
MANOEVRERINGENS LAENKSYSTEM, HANDTAG OCH HOELJE (S/N -022198)
MP24568 -UN-12MAR01

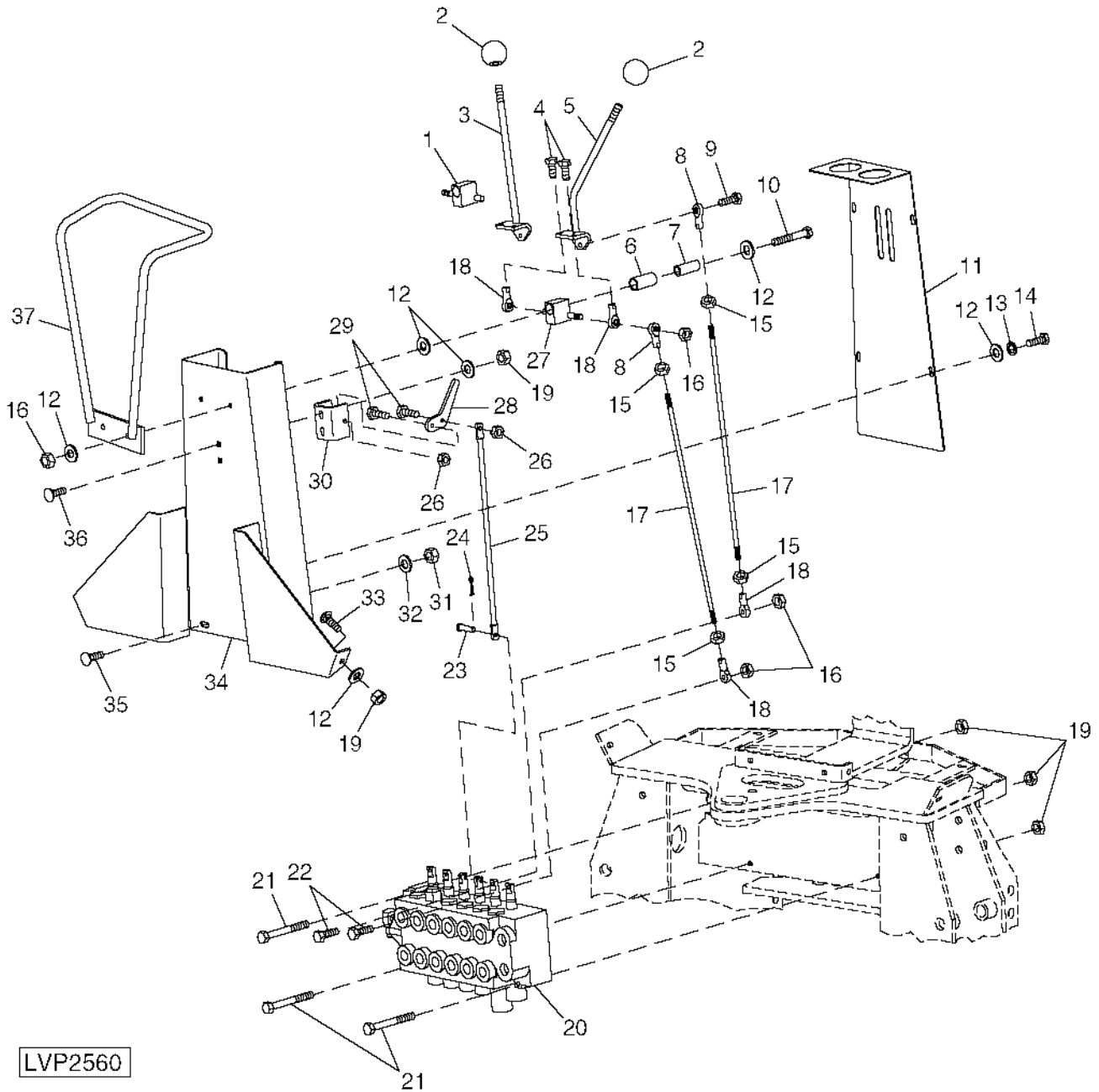


MP24568

CONTROL LINKAGE, HANDLE AND SHROUD (SN -022198) (CONTINUED)

| KEY | PART NO. | PART NAME | QTY | SERIAL NO. | REMARKS |
|-----|----------|---------------|-----|------------|--------------------------|
| 1 | AM127740 | HANDLE | 1 | | |
| 2 | R11151 | LOCK NUT | 5 | | |
| 3 | 24H1136 | WASHER | 12 | | 11/32" X 11/16" X 0.065" |
| 4 | 03H1268 | BOLT | 4 | | 5/16" X 3/4" |
| 5 | 03H1709 | BOLT | 2 | | 5/16" X 1" |
| 6 | AM127713 | SHROUD | 1 | | |
| 7 | 19H1948 | CAP SCREW | 4 | | 1/4" X 3/4" |
| 8 | AM127683 | BRACKET | 1 | | CONTROL LEVER |
| 9 | 14H650 | NUT | 10 | | 5/16" |
| 10 | H76696 | LOCK NUT | 7 | | |
| 11 | M40333 | LOCK NUT | 4 | | |
| 12 | AT49297 | BALL JOINT | 16 | | |
| 13 | M137952 | CONTROL LEVER | 2 | | |
| 14 | 19H2529 | CAP SCREW | 6 | | 5/16" X 1" |
| 15 | 19H3374 | CAP SCREW | 2 | | 5/16" X 1-1/4" |
| 16 | M138796 | PLATE | 2 | | |
| 17 | M138044 | SPACER | 4 | | |
| 18 | M118633 | KNOB | 2 | | |
| 19 | M138043 | SPACER | 2 | | |
| 20 | M138012 | BOLT | 2 | | |
| 21 | AM127738 | HANDLE | 1 | | RH |
| 22 | AM127739 | HANDLE | 1 | | LH |
| 23 | M121918 | SPACER | 8 | | |
| 24 | M138069 | PLATE | 1 | | |
| 25 | 12H303 | LOCK WASHER | 4 | | 5/16" |
| 26 | M137981 | ROD | 4 | | |
| 27 | AM127904 | VALVE | 1 | | |
| 28 | 19H1907 | CAP SCREW | 3 | | 5/16" X 2-3/4" |
| 29 | M138011 | BOLT | 4 | | |
| 30 | T35986 | PIN | 2 | | |
| 31 | 11M7081 | COTTER PIN | 2 | | 2.500 X 20 MM |
| 32 | M137983 | ROD | 2 | | STABILIZER |
| 33 | 19H2551 | CAP SCREW | 4 | | 5/16" X 3/4" |
| 34 | H99923 | LOCK NUT | 2 | | |
| 35 | 24H1305 | WASHER | 2 | | 13/32" X 13/16" X 0.065" |
| 36 | 03H1480 | BOLT | 2 | | 3/8" X 1-1/4" |
| 37 | PT10414 | RESTRICTOR | 5 | | (.074") |

CONTROL LINKAGE, HANDLE AND SHROUD (SN 022199-)
TOLE DE PROTECTION, POIGNEE ET TRINGLERIE (N.S. 022199-)
BEDIENUNGSGESTAENGE, GRIFF UND SCHUTTVORRICHTUNG (SN. 022199-)
TIRANTERIA DI COMANDO, MANIGLIA E PROTEZIONE (N SER 022199-)
ENGANCHE DE CONTROL, MANGO Y RECUBRIMIENTO (NO SER 022199-)
MANOEVRERINGENS LAENKSYSTEM, HANDTAG OCH HOELJE (S/N 022199-)
LVP2560 -UN-04DEC00



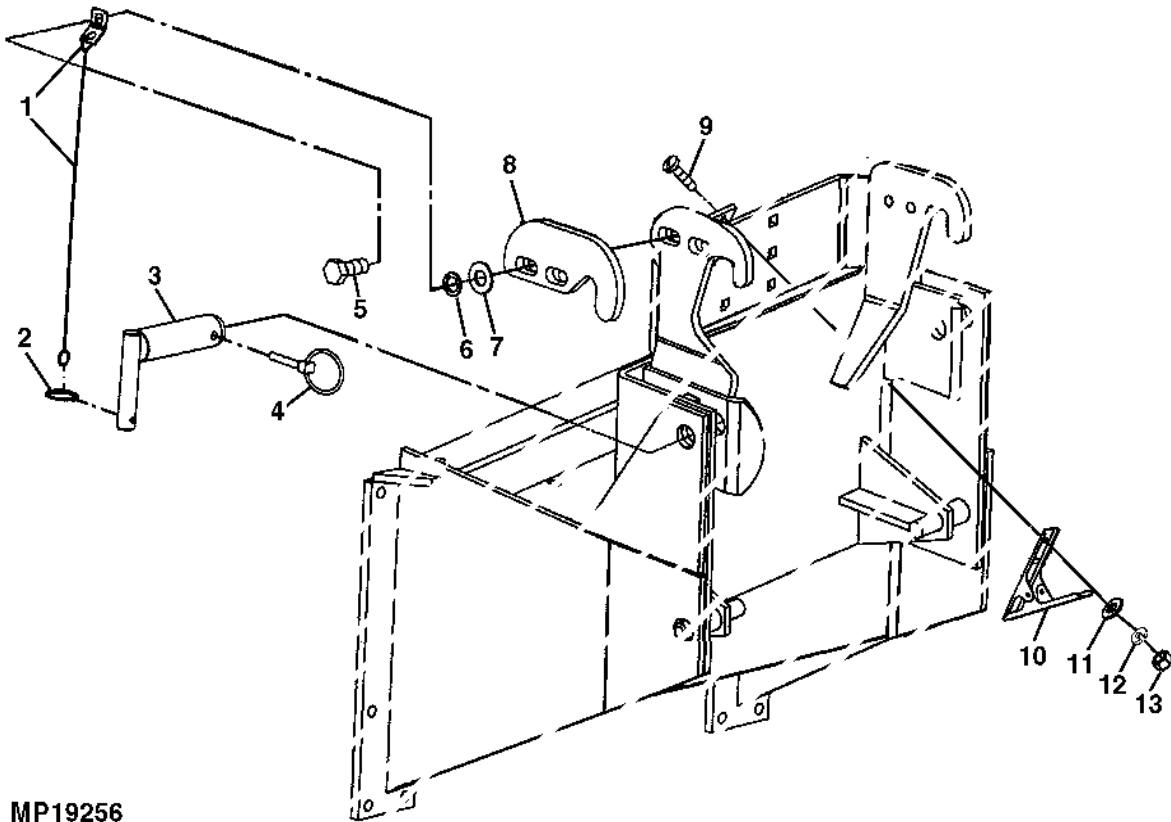
CONTROL LINKAGE, HANDLE AND SHROUD (SN 022199-) (CONTINUED)

| KEY | PART NO. | PART NAME | QTY | SERIAL NO. | REMARKS |
|-----|----------|---------------|-----|--------------------------|---------|
| 1 | LVA10553 | PIVOT | 1 | (RH) | |
| 2 | M118633 | KNOB | 2 | | |
| 3 | LVA10544 | CONTROL LEVER | 1 | (RH) | |
| 4 | 19H2127 | CAP SCREW | 4 | 5/16" X 7/8" | |
| 5 | LVA10545 | CONTROL LEVER | 1 | (LH) | |
| 6 | LVU10916 | BEARING | 2 | | |
| 7 | LVU10917 | BUSHING | 2 | | |
| 8 | LVA10555 | BALL JOINT | 4 | | |
| 9 | 19H2529 | CAP SCREW | 2 | 5/16" X 1" | |
| 10 | 19H3669 | BOLT | 2 | 5/16" X 2-1/4" | |
| 11 | M138069 | PLATE | 1 | (REAR) | |
| 12 | 24H1136 | WASHER | 10 | 11/32" X 11/16" X 0.065" | |
| 13 | 12H303 | LOCK WASHER | 2 | 5/16" | |
| 14 | 19H2551 | CAP SCREW | 2 | 5/16" X 3/4" | |
| 15 | 14H650 | NUT | 8 | 5/16" | |
| 16 | R11151 | LOCK NUT | 10 | | |
| 17 | M137981 | ROD | 4 | | |
| 18 | AT49297 | BALL JOINT | 8 | | |
| 19 | H76696 | LOCK NUT | 9 | | |
| 20 | LVA11307 | CONTROL VALVE | 1 | | |
| 21 | 19H1907 | CAP SCREW | 3 | 5/16" X 2-3/4" | |
| 22 | M138011 | BOLT | 2 | | |
| 23 | T35986 | PIN | 2 | | |
| 24 | 11H206 | COTTER PIN | 2 | 3/32" X 3/4" | |
| 25 | M137983 | ROD | 2 | (STABILIZER) | |
| 26 | M121704 | LOCK NUT | 4 | | |
| 27 | LVA10554 | PIVOT | 1 | (LH) | |
| 28 | M137952 | CONTROL LEVER | 2 | | |
| 29 | 19H1948 | CAP SCREW | 4 | 1/4" X 3/4" | |
| 30 | M138045 | BRACKET | 1 | | |
| 31 | H99923 | LOCK NUT | 2 | | |
| 32 | 24H1305 | WASHER | 2 | 13/32" X 13/16" X 0.065" | |
| 33 | 03H1268 | BOLT | 2 | 5/16" X 3/4" | |
| 34 | LVA11330 | SHROUD | 1 | (FRONT) | |
| 35 | 03H1519 | BOLT | 2 | 3/8" X 1" | |
| 36 | 03H1709 | BOLT | 2 | 5/16" X 1" | |
| 37 | AM127740 | BAR | 1 | | |

D3

48 BACKHOE

ATTACHING PARTS (4300/4400 CUT)
ACCESSOIRES (4300/4400 CUT)
ANBAUTEILE (4300/4400 CUT)
BULLONERIA DI FISSAGGIO (4300/4400 CUT)
PIEZAS DE ACOPLAMIENTO (4300/4400 CUT)
FAESTDETALJER (4300/4400 CUT)
MP19256 -UN-06AUG98



MP19256

D4

48 BACKHOE

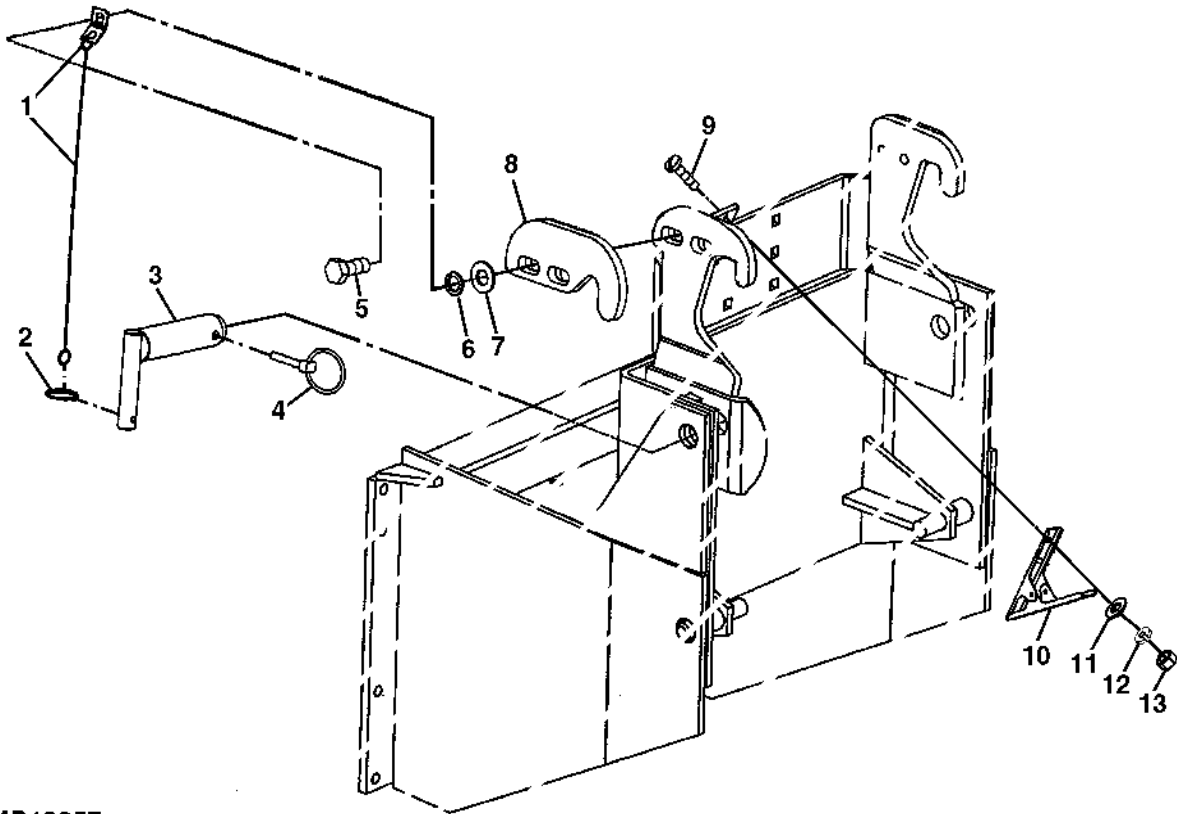
ATTACHING PARTS (4300/4400 CUT) (CONTINUED)

| KEY | PART NO. | PART NAME | QTY | SERIAL NO. | REMARKS |
|-----|----------|----------------|-----|------------|-------------------------|
| 1 | AM127741 | CABLE | 2 | | |
| 2 | M88183 | RING | 2 | | |
| 3 | AM128038 | PIN | 2 | | |
| 4 | AA21292 | QUICK LOCK PIN | 2 | | |
| 5 | 19H3030 | CAP SCREW | 4 | | 1/2" X 1-1/4" |
| 6 | 12H301 | LOCK WASHER | 4 | | 1/2" |
| 7 | 24H1207 | WASHER | 4 | | 9/16" X 1-3/8" X 0.134" |
| 8 | M137999 | PLATE | 2 | | |
| 9 | M138073 | SCREW | 1 | | |
| 10 | M138078 | CLAMP | 1 | | |
| 11 | M138021 | WASHER | 1 | | |
| 12 | M138020 | LOCK WASHER | 1 | | |
| 13 | M138019 | NUT | 1 | | |

D5

48 BACKHOE

ATTACHING PARTS (4500/4600 CUT)
ACCESSOIRES (4500/4600)
ANBAUTEILE (4500/4600)
BULLONERIA DI FISSAGGIO (4500/4600)
PIEZAS DE ACOPLAMIENTO (4500/4600)
FAESTDETALJER (4500/4600)
MP19257 -UN-06AUG98



MP19257

D6

48 BACKHOE

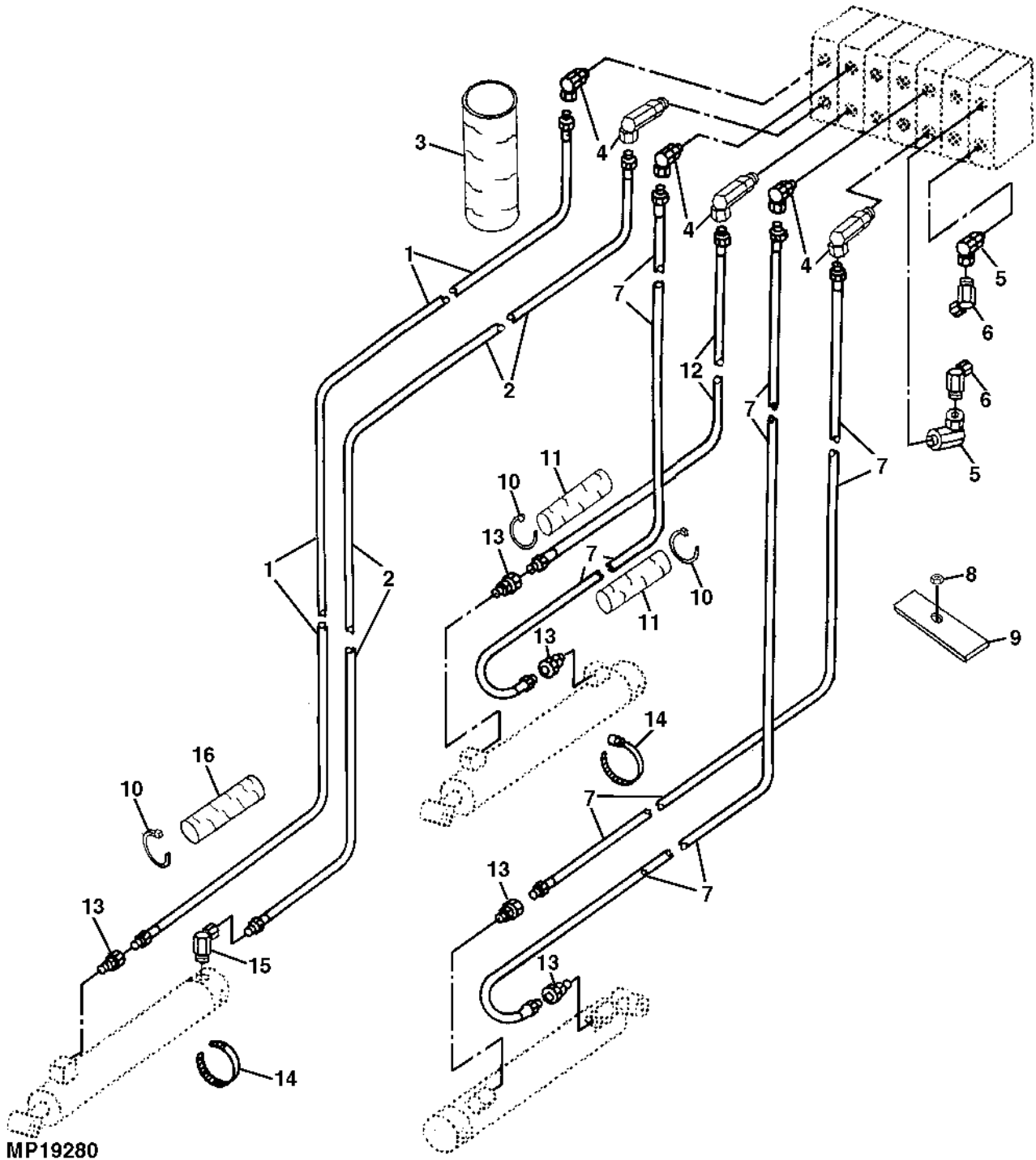
ATTACHING PARTS (4500/4600 CUT) (CONTINUED)

| KEY | PART NO. | PART NAME | QTY | SERIAL NO. | REMARKS |
|-----|----------|----------------|-----|------------|-------------------------|
| 1 | AM127741 | CABLE | 2 | | |
| 2 | M88183 | RING | 2 | | |
| 3 | AM128038 | PIN | 2 | | |
| 4 | AA21292 | QUICK LOCK PIN | 2 | | |
| 5 | 19H3030 | CAP SCREW | 4 | | 1/2" X 1-1/4" |
| 6 | 12H301 | LOCK WASHER | 4 | | 1/2" |
| 7 | 24H1207 | WASHER | 4 | | 9/16" X 1-3/8" X 0.134" |
| 8 | M137999 | PLATE | 2 | | |
| 9 | M138073 | SCREW | 1 | | |
| 10 | M138078 | CLAMP | 1 | | |
| 11 | M138021 | WASHER | 1 | | |
| 12 | M138020 | LOCK WASHER | 1 | | |
| 13 | M138019 | NUT | 1 | | |

D7

48 BACKHOE

HYDRAULIC LINES (BUCKET/DIPPERSTICK/BOOM)
CONDUITES HYDRAULIQUES (GODET/BRAS DU GODET/FLECHE)
HYDRAULIKSCHLAEUCE (SCHAUFEL, LOEFFELBAGGERSTANGE, LADESCHWINGE)
LINEE IDRAULICHE (BENNA/BILANCIERE/BRACCIO)
LINEAS HIDRAULICAS (CUCHARON/BRAZO/AGUILON)
HYDRAULLEDNINGAR (SKOPA/SKOPSTAG/BOM)
MP19280 -UN-17AUG98



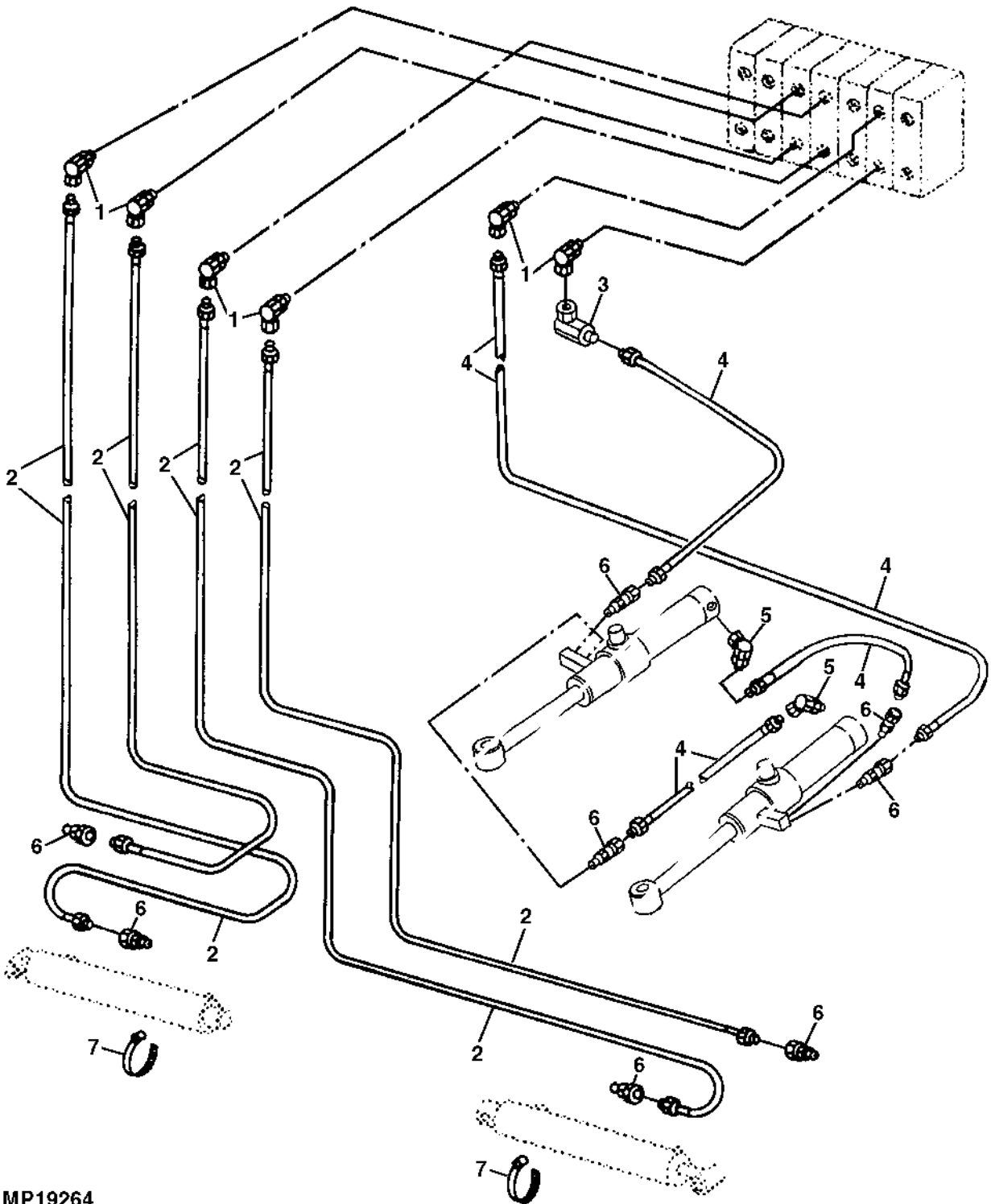
HYDRAULIC LINES (BUCKET/DIPPERSTICK/BOOM) (CONTINUED)

| KEY | PART NO. | PART NAME | QTY | SERIAL NO. | REMARKS |
|-----|----------|----------------|-----|------------|---------|
| 1 | PT15596 | HYDRAULIC HOSE | 1 | | |
| 2 | PT15597 | HYDRAULIC HOSE | 1 | | |
| 3 | M78720 | HOSE GUARD | 1 | | |
| 4 | AM123132 | ELBOW FITTING | 6 | | |
| 5 | AU11752 | FITTING | 2 | | |
| 6 | JD139 | ADAPTER | 2 | | |
| 7 | PT15599 | HYDRAULIC HOSE | 3 | | |
| 8 | H99923 | LOCK NUT | 1 | | |
| 9 | PT10449 | STRAP | 1 | | |
| 10 | H77698 | TIE BAND | 3 | | |
| 11 | M96136 | SLEEVE | 2 | | |
| 12 | M118650 | HYDRAULIC HOSE | 1 | | |
| 13 | AH17169 | ADAPTER | 1 | | |
| 14 | M73027 | TIE BAND | 1 | | |
| 15 | LVA10467 | ELBOW FITTING | 1 | | |
| 16 | M93647 | SLEEVE | 1 | | |

D9

48 BACKHOE

HYDRAULIC LINES (STABILIZER/SWING)
CONDUITES HYDRAULIQUES (SATILISATEUR/BRAS DE DEBATTEMENT)
HYDRAULIKSCHLAEUCHE (STABILISATOR, SCHWINGARM)
LINEE IDRAULICHE (STABILIZZATORE/BRACCIO OSCILLANTE)
LINEAS HIDRAULICAS (ESTABILIZADORES/BRAZO OSCILANTE)
HYDRAULLEDNINGAR (STABILISATOR/SVAENGANORDNING)
MP19264 -UN-06AUG98



MP19264

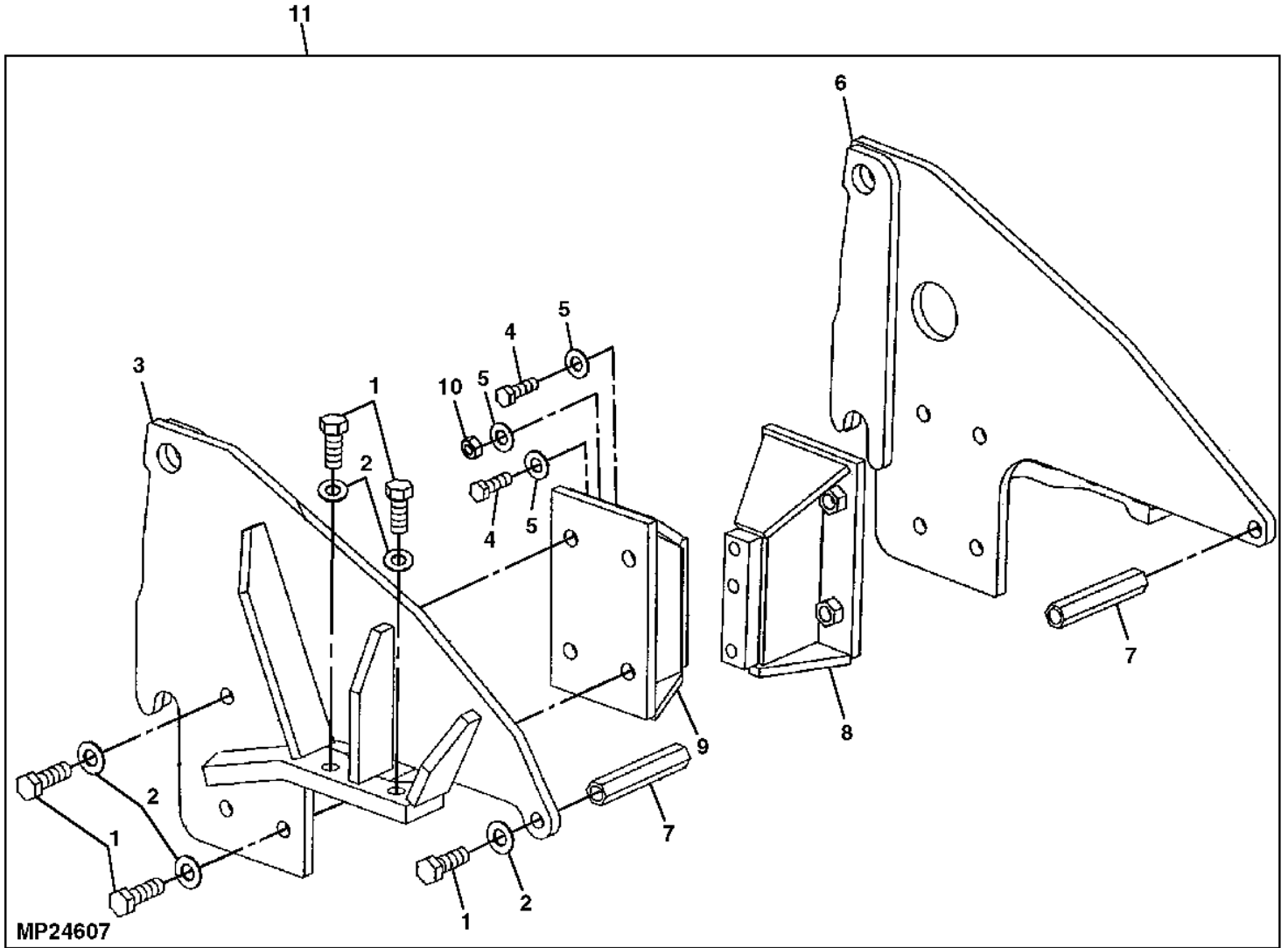
D10

48 BACKHOE

HYDRAULIC LINES (STABILIZER/SWING) (CONTINUED)

| KEY | PART NO. | PART NAME | QTY | SERIAL NO. | REMARKS |
|-----|----------|----------------|-----|------------|---------|
| 1 | AM123132 | ELBOW FITTING | 6 | | |
| 2 | M137977 | HYDRAULIC HOSE | 4 | | |
| 3 | AP23054 | ELBOW FITTING | 1 | | |
| 4 | PT15271 | HYDRAULIC HOSE | 4 | | |
| 5 | M138063 | UNION FITTING | 2 | | |
| 6 | AH17169 | ADAPTER | 8 | | |
| 7 | M73027 | TIE BAND | 4 | | |

SIDE PLATE KIT (4500/4600 CUT)
PLAQUES LATERALES (4500/4600 CUT)
SEITENPLATTEN-KIT (4500/4600 CUT)
KIT PIASTRA LATERALE (4500/4600 CUT)
JUEGO DE PLACAS LATERALES (4500/4600 CUT)
SATS MED SIDOPLAAT (4500/4600 CUT)
MP24607 -UN-23MAR01



D12

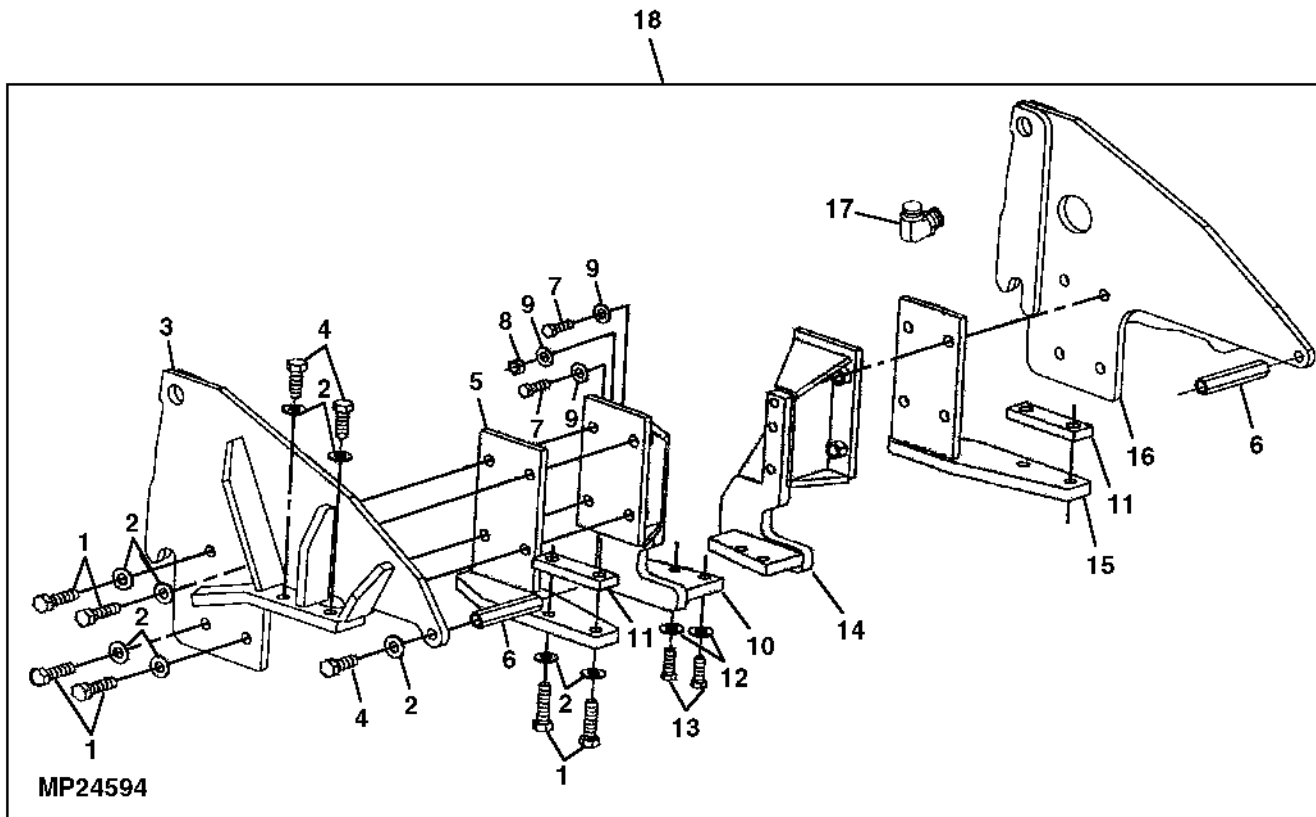
48 BACKHOE

SIDE PLATE KIT (4500/4600 CUT) (CONTINUED)

| KEY | PART NO. | PART NAME | QTY | SERIAL NO. | REMARKS |
|-----|----------------|-------------|-----|---------------------------------------|---------|
| 1 | M138565 | BOLT | 14 | | |
| 2 | M138059 | WASHER | 14 | | |
| 3 | AM120558 | PLATE | 1 | RH | |
| 4 | M138564 | BOLT | 4 | | |
| 5 | 12H301 | LOCK WASHER | 6 | 1/2" | |
| 6 | AM120559 | PLATE | 1 | LH | |
| 7 | M138566 | SPACER | 2 | | |
| 8 | AM127913 | SUPPORT | 1 | LH (NLA) (SUB AM130616) | |
| 9 | AM127912 | SUPPORT | 1 | RH (NLA) (SUB AM130616) | |
| 10 | 14M7275 | NUT | 2 | M12 | |
| 11 | BM19565 | KIT | 1 | SIDE PLATE (NLA) (SUB BM20583) | |

D13

SIDE PLATE KIT (4500/4600/4700 CUT)
PLAQUES LATERALES (4500/4600/4700 CUT)
SEITENPLATTEN-KIT (4500/4600/4700 CUT)
KIT PIASTRA LATERALE (4500/4600/4700 CUT)
JUEGO DE PLACAS LATERALES (4500/4600/4700 CUT)
SATS MED SIDOPLAAT (4500/4600/4700 CUT)
MP24594 -UN-26MAR01



D14

48 BACKHOE

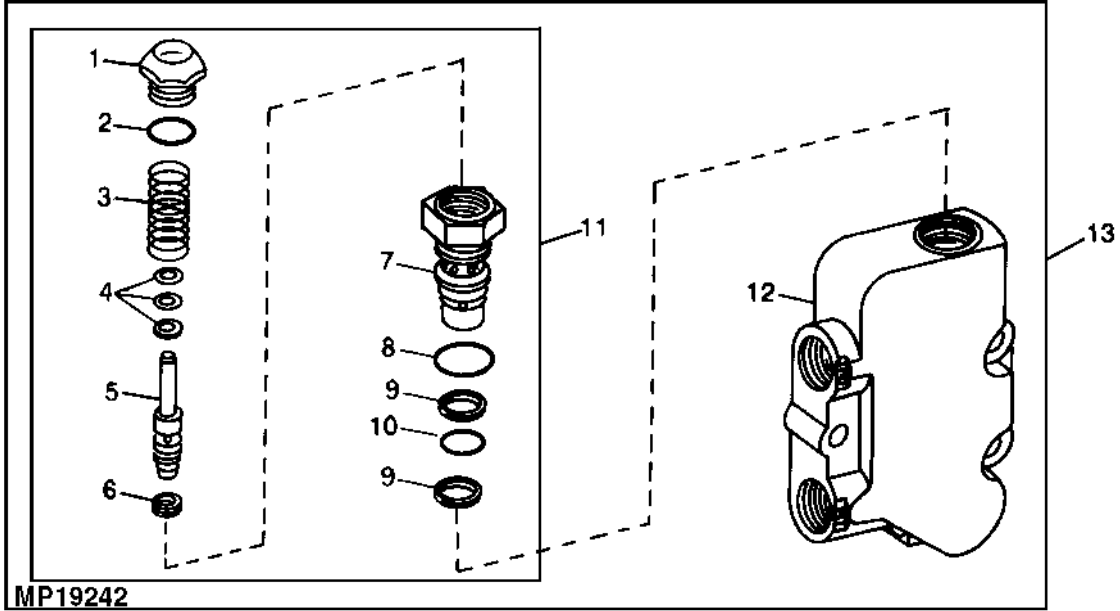
SIDE PLATE KIT (4500/4600/4700 CUT) (CONTINUED)

| KEY | PART NO. | PART NAME | QTY | SERIAL NO. | REMARKS |
|-----|----------------|------------|----------|--|---------|
| 1 | 19M7759 | CAP SCREW | 12 | (A) M16 X 60 | |
| 2 | M138059 | WASHER | 18 | (A) | |
| 3 | AM120558 | PLATE | 1 | RH MOUNTING | |
| 4 | M138565 | BOLT | 6 | (A) | |
| 5 | M130744 | BRACKET | 1 | (A) RH BLOCK MOUNT | |
| 6 | M138566 | SPACER | 2 | | |
| 7 | 19M8313 | CAP SCREW | 4 | (A) M12 X 55 | |
| 8 | M143745 | NUT | 2 | | |
| 9 | M143741 | WASHER | 6 | (A) | |
| 10 | M130742 | BRACKET | 1 | (A) RH HOOK | |
| 11 | M143744 | SPACER | 2 | (A) | |
| 12 | M143742 | WASHER | 4 | (A) | |
| 13 | 19M6579 | CAP SCREW | 4 | (A) M14 X 50 | |
| 14 | M130743 | BRACKET | 1 | (A) LH HOOK | |
| 15 | M130745 | BRACKET | 1 | (A) LH BLOCK MOUNT | |
| 16 | AM120559 | PLATE | 1 | LH MOUNTING | |
| 17 | AM127906 | ADAPTER | 1 | | |
| 18 | BM20583 | KIT | 1 | SIDE MOUNTING | |
| .. | AM130616 | KIT | 1 | SIDE PLATE (INCLUDES PARTS MARKED (A)) | |

D15

48 BACKHOE

MAIN RELIEF VALVE
SOUPAPE DE SECURITE PRINCIPALE
HAUPTSICHERHEITSENTIL
VALVOLA DI SICUREZZA PRINCIPALE
VALVULA PRINCIPAL DE DESCARGA
SAEKERHETSVENTIL
 MP19242 -UN-31JUL98

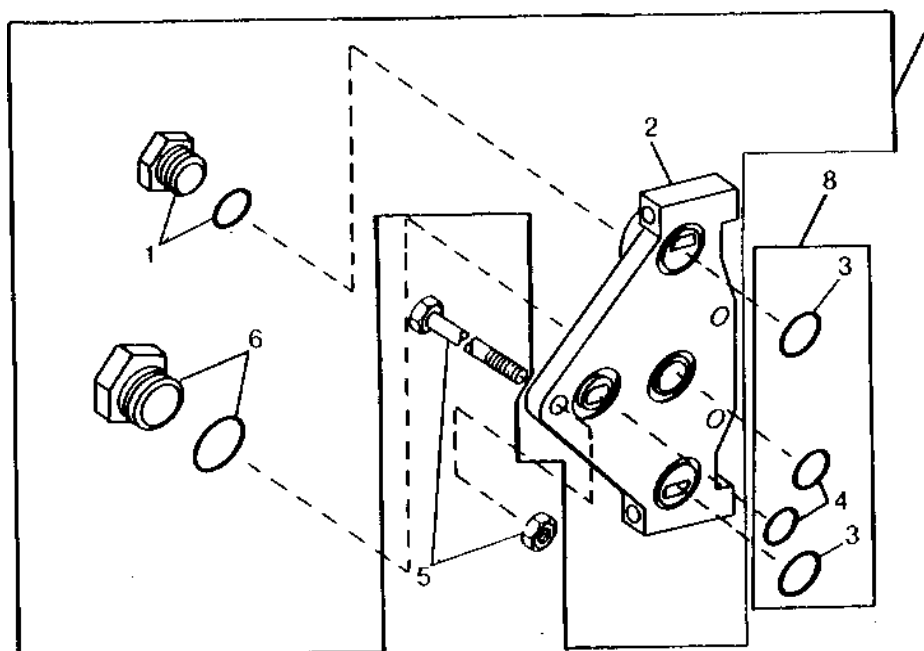


| KEY | PART NO. | PART NAME | QTY | SERIAL NO. | REMARKS |
|-----|----------|--------------|-----|------------|----------------------------------|
| 1 | | CAP | 1 | | |
| 2 | | SEAL | 1 | (A) | |
| 3 | | SPRING | 1 | | |
| 4 | | SHIM | AR | | |
| 5 | | POPPET | 1 | (A) | |
| 6 | | PISTON RING | 1 | (A) | |
| 7 | | HOUSING | 1 | | |
| 8 | | O-RING | 1 | (A) | |
| 9 | | WASHER | 1 | (A) | |
| 10 | | O-RING | 1 | (A) | |
| 11 | AM127939 | RELIEF VALVE | 1 | | |
| 12 | | HOUSING | 1 | | |
| 13 | AM127940 | RELIEF VALVE | 1 | | |
| .. | PT8131 | KIT | 1 | | SEAL (INCLUDES PARTS MARKED (A)) |

D16

48 BACKHOE

END PLATE (RH)
 PLAQUE D'EXTREMITE (RH)
 ENDPLATTE (RH)
 PIASTRA DI FONDO (RH)
 PLACAS DE EXTREMO (RH)
 GAVEL (RH)
 MP13326 -UN-01JAN94



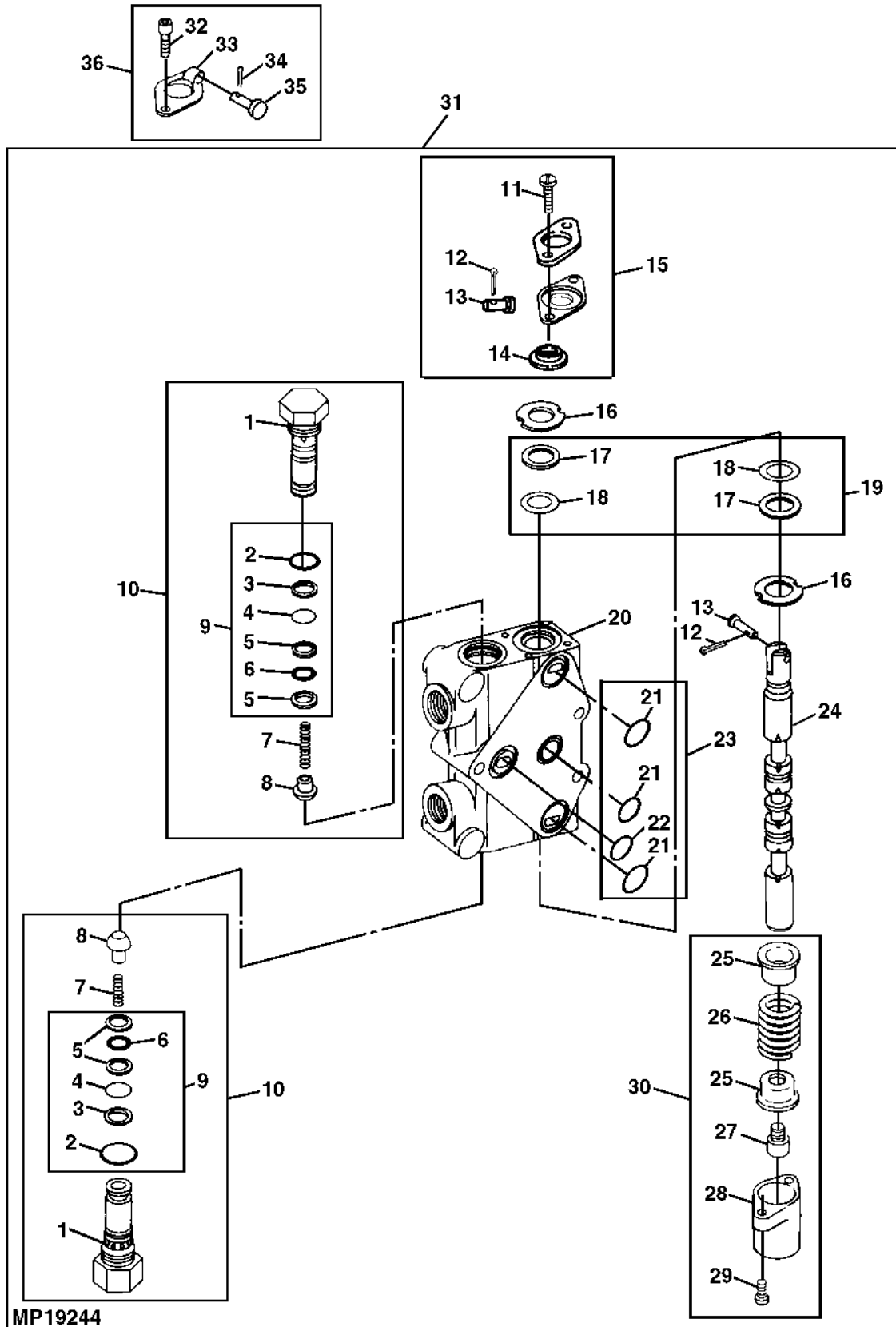
MP13326

| KEY | PART NO. | PART NAME | QTY | SERIAL NO. | REMARKS |
|-----|----------|-------------|-----|------------|--------------------------|
| 1 | | PLUG | 1 | | |
| 2 | | HOUSING | 1 | | |
| 3 | | SEAL | 2 | | EXHAUST |
| 4 | | SEAL | 2 | | PRESSURE |
| 5 | PT8130 | KIT | 1 | | TIE ROD (3 RODS PER KIT) |
| 6 | PT14370 | PLUG | 1 | | |
| 7 | PT8138 | VALVE COVER | 1 | | |
| 8 | AM117715 | SEAL KIT | 1 | | |

D17

48 BACKHOE

VALVE SECTION (STABILIZER)
SECTION VALVES (STABILISATEUR)
VENTILSEKTION (STABILISATOR)
BLOCCO VALVOLE (STABILIZZATORE)
SECCION DE VALVULA (ESTABILIZADOR)
VENTILSEKTION (STABILISATOR)
MP19244 -UN-06AUG98



D18

48 BACKHOE

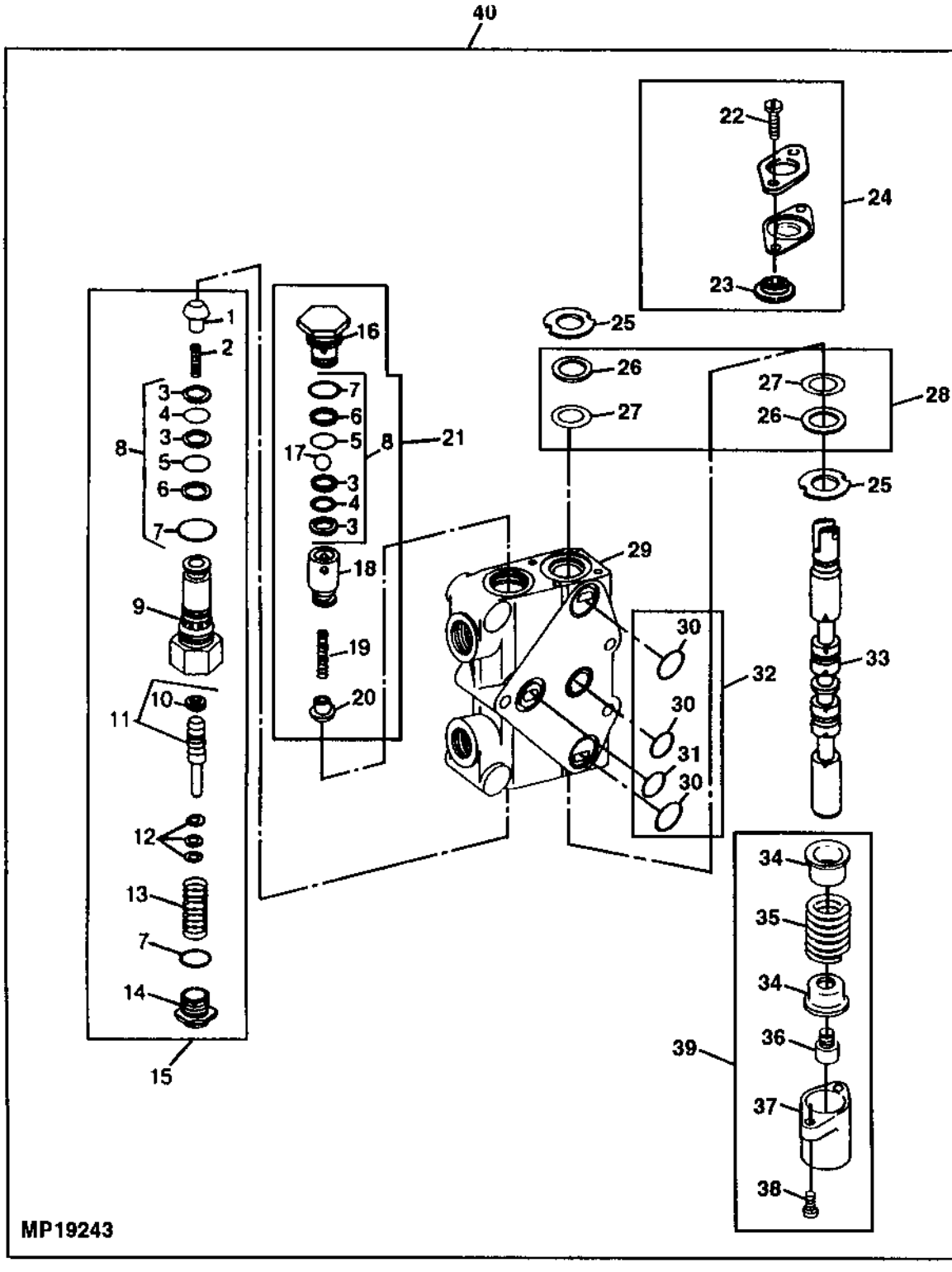
VALVE SECTION (STABILIZER) (CONTINUED)

| KEY | PART NO. | PART NAME | QTY | SERIAL NO. | REMARKS |
|-----|----------|----------------|-----|---------------|-----------------------------|
| 1 | | PLUG | 2 | | |
| 2 | Z29304 | O-RING | 2 | (A) | |
| 3 | T35985 | BACK-UP RING | 2 | (A) | |
| 4 | W19903 | O-RING | 2 | (A) | |
| 5 | T35984 | BACK-UP RING | 4 | (A) | |
| 6 | H63283 | O-RING | 2 | (A) | |
| 7 | T36012 | SPRING | 2 | | |
| 8 | U13616 | POPPET | 2 | | |
| 9 | PT8139 | SEAL KIT | 1 | | |
| 10 | PT8137 | RELIEF VALVE | 2 | | |
| 11 | 21H1305 | SCREW | 2 | 1/4" X 1" | |
| 12 | 11M7081 | COTTER PIN | 1 | 2.500 X 20 MM | |
| 13 | T35986 | PIN | 1 | | |
| 14 | T126105 | SEAL | 1 | | |
| 15 | AT135683 | RETAINER | 1 | | SPOOL SEAL |
| 16 | T104786 | WASHER | 2 | | |
| 17 | T104785 | BACK-UP RING | 2 | | |
| 18 | T57246 | O-RING | 2 | | |
| 19 | AM120974 | SEAL KIT | 1 | | |
| 20 | | HOUSING | 1 | | |
| 21 | | O-RING | 1 | (A) | |
| 22 | | O-RING | 1 | (A) | |
| 23 | AM117715 | KIT | 1 | | SEAL |
| 24 | | SPOOL | 1 | | |
| 25 | T104788 | LOCKING COLLAR | 2 | | |
| 26 | T107593 | SPRING | 1 | | |
| 27 | T104789 | VALVE SPOOL | 1 | | |
| 28 | T104787 | CAP | 1 | | |
| 29 | T106306 | SCREW | 1 | | |
| 30 | PT14445 | KIT | 1 | | SPRING AND CAP |
| 31 | PT8129 | SECTION | 1 | | STABILIZER |
| 32 | T106306 | SCREW | 1 | | |
| 33 | T36103 | BRACKET | 1 | | |
| 34 | 11M7077 | COTTER PIN | 1 | 1.600 X 25 MM | |
| 35 | T35986 | PIN | 1 | | |
| 36 | PT14444 | KIT | 1 | | SEAL PLATE RETAINER |
| .. | PT8140 | SEAL KIT | 1 | | (INCLUDES PARTS MARKED (A)) |

D19

48 BACKHOE

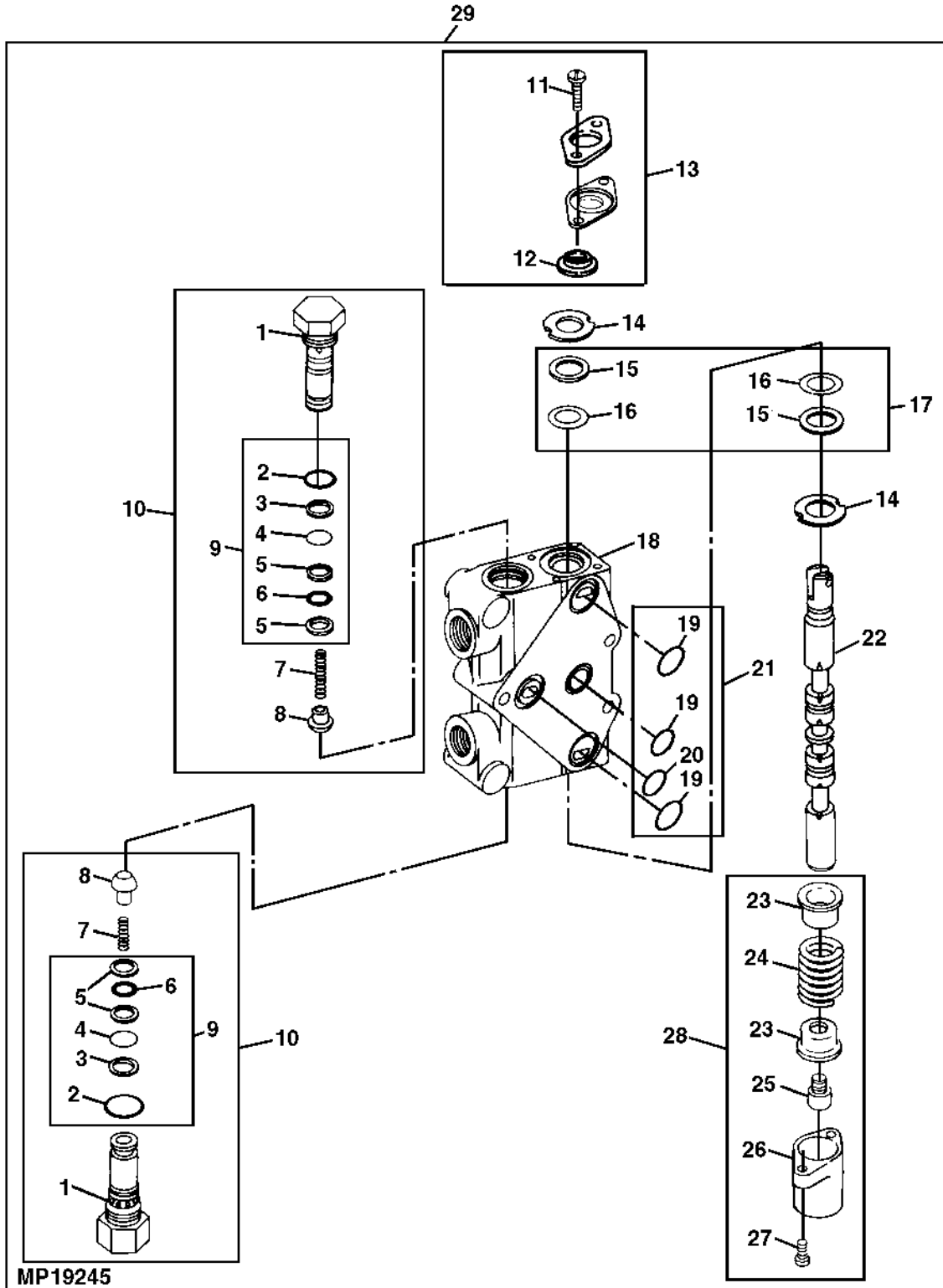
VALVE SECTION (BOOM AND DIPPERSTICK)
SECTION VALVES (FLECHE ET BRAS DU GODET)
VENTILSEKTION (LADESCHWINGE UND LOEFFELBAGGERSTANGE)
BLOCCO VALVOLE (BRACCIO E BILANCIERE)
SECCION DE VALVULA (AGUILON Y BRAZO DEL CUCHARON)
VENTILSEKTION (BOM OCH SKOPSTAG)
MP19243 -UN-20AUG98



VALVE SECTION (BOOM AND DIPPERSTICK) (CONTINUED)

| KEY | PART NO. | PART NAME | QTY | SERIAL NO. | REMARKS |
|-----|----------|--------------|-----|------------|---|
| 1 | | CAP | 1 | | |
| 2 | | SPRING | 1 | | |
| 3 | | WASHER | 4 | (A) | |
| 4 | | O-RING | 2 | (A) | |
| 5 | | O-RING | 4 | (A) | |
| 6 | | WASHER | 2 | (A) | |
| 7 | | O-RING | 2 | (A) | |
| 8 | PT8139 | SEAL KIT | 2 | (A) | |
| 9 | | HOUSING | 1 | | |
| 10 | | PISTON RING | 1 | | |
| 11 | AW17093 | KIT | 1 | | RELIEF VALVE |
| 12 | | SHIM | AR | | |
| 13 | | SPRING | 1 | | |
| 14 | | CAP | 1 | | |
| 15 | PT10413 | RELIEF VALVE | 1 | | 2500 PSI (ON DIPPERSTICK VALVE LOCATED IN TOP PORT) |
| 16 | | HOUSING | 1 | | |
| 17 | | BALL | 1 | | |
| 18 | | RETAINER | 1 | | |
| 19 | | SPRING | 1 | | |
| 20 | | CAP | 1 | | |
| 21 | PT8136 | VALVE | 1 | | ANTI-CAVITATION (ON DIPPERSTICK VALVE LOCATED IN BOTTOM PORT) |
| 22 | T11506 | SCREW | 2 | | 0.216" X 5/8" |
| 23 | T126105 | SEAL | 1 | | |
| 24 | AT135683 | RETAINER | 1 | | |
| 25 | T104786 | WASHER | 2 | | |
| 26 | T104785 | BACK-UP RING | 2 | | |
| 27 | T57246 | O-RING | 2 | | |
| 28 | AM120974 | SEAL KIT | 1 | | |
| 29 | | HOUSING | 1 | | |
| 30 | | O-RING | 3 | (A) (B) | |
| 31 | | O-RING | 1 | (A) (B) | |
| 32 | AM117715 | SEAL KIT | 1 | | (INCLUDES PARTS MARKED (B)) |
| 33 | | SPOOL | 1 | | |
| 34 | T104788 | BUSHING | 2 | | |
| 35 | T107593 | SPRING | 1 | | |
| 36 | T104789 | VALVE SPOOL | 1 | | |
| 37 | T104787 | CAP | 1 | | |
| 38 | T106306 | SCREW | 2 | | |
| 39 | PT14445 | KIT | 1 | | SPRING AND CAP |
| 40 | AM127941 | VALVE | 1 | | BOOM |
| | AM127942 | VALVE | 1 | | DIPPERSTICK |
| .. | PT8140 | KIT | 1 | | SEAL (BOOM AND DIPPERSTICK SECTIONS) (INCLUDES PARTS MARKED (A)) |

VALVE SECTION (BUCKET AND SWING)
 SECTION VALVES (GODET ET DEBATTEMENT)
 VENTILSEKTION (SCHAUFEL UND SCHWINGE)
 BLOCCO VALVOLE (BENNA E BRACCIO OSCILLANTE)
 SECCION DE VALVULA (CUCHARON Y BRAZO OSCILANTE)
 VENTILSEKTION (SKOPA OCH SVAENGANORDNING)
 MP19245 -UN-06AUG98

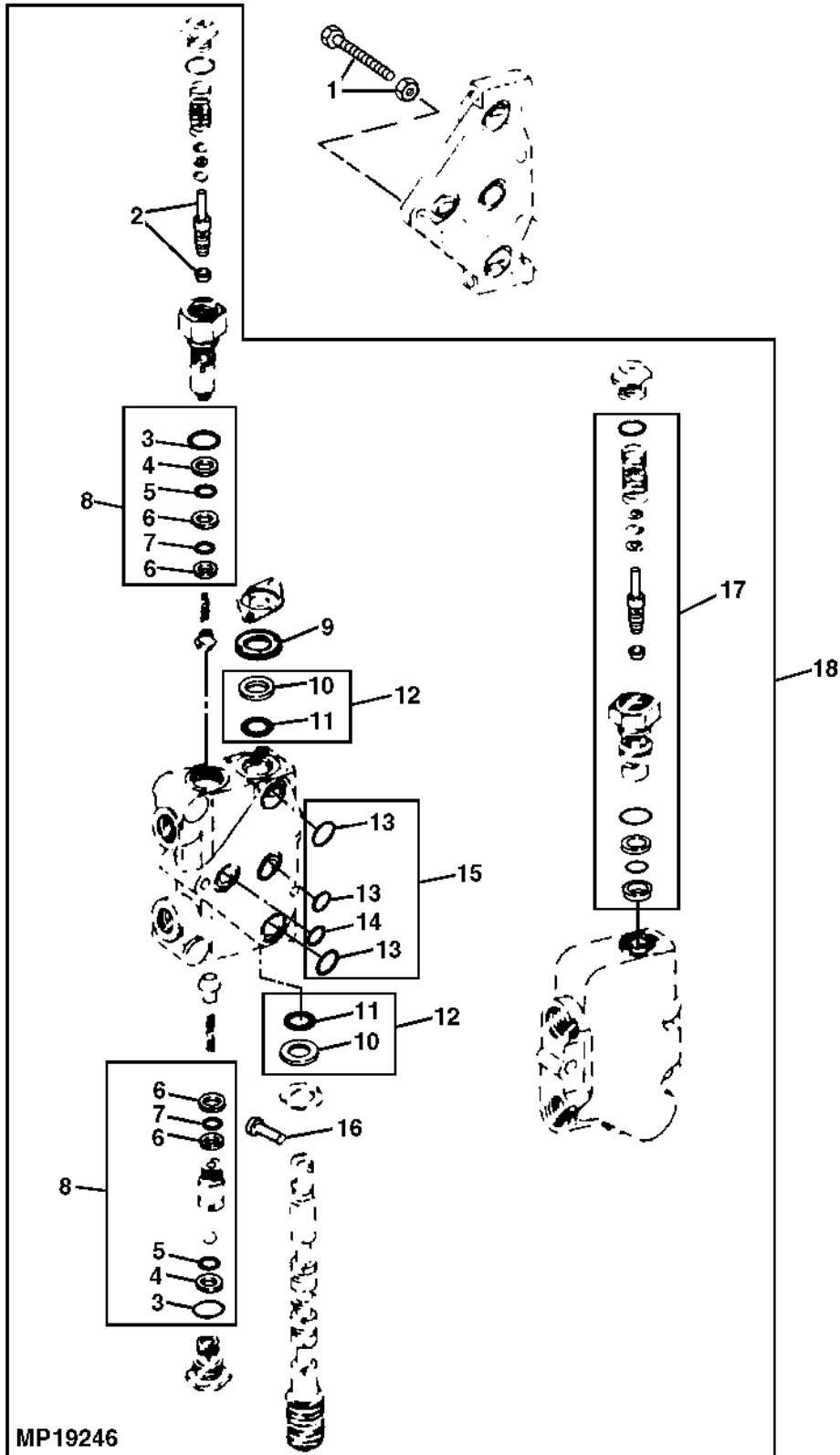


VALVE SECTION (BUCKET AND SWING) (CONTINUED)

| KEY | PART NO. | PART NAME | QTY | SERIAL NO. | REMARKS |
|-----|----------|----------------|-----|-----------------------------|---------|
| 1 | | PLUG | 2 | | |
| 2 | Z29304 | O-RING | 2 | (A) | |
| 3 | T35985 | BACK-UP RING | 2 | (A) | |
| 4 | W19903 | O-RING | 2 | (A) | |
| 5 | T35984 | BACK-UP RING | 4 | (A) | |
| 6 | H63283 | O-RING | 2 | (A) | |
| 7 | T36012 | SPRING | 2 | | |
| 8 | U13616 | POPPET | 2 | | |
| 9 | PT8139 | SEAL KIT | 1 | | |
| 10 | PT8137 | RELIEF VALVE | 2 | | |
| 11 | 21H1305 | SCREW | 2 | 1/4" X 1" | |
| 12 | T126105 | SEAL | 1 | | |
| 13 | AT135683 | RETAINER | 1 | SPOOL SEAL | |
| 14 | T104786 | WASHER | 2 | | |
| 15 | T104785 | BACK-UP RING | 2 | | |
| 16 | T57246 | O-RING | 2 | | |
| 17 | AM120974 | SEAL KIT | 1 | | |
| 18 | | HOUSING | 1 | | |
| 19 | | O-RING | 1 | (A) (B) | |
| 20 | | O-RING | 1 | (A) (B) | |
| 21 | AM117715 | SEAL KIT | 1 | (INCLUDES PARTS MARKED (B)) | |
| 22 | | SPOOL | 1 | | |
| 23 | T104788 | LOCKING COLLAR | 2 | | |
| 24 | T107593 | SPRING | 1 | | |
| 25 | T104789 | VALVE SPOOL | 1 | | |
| 26 | T104787 | CAP | 1 | | |
| 27 | T106306 | SCREW | 1 | | |
| 28 | PT14445 | KIT | 1 | SPRING AND CAP | |
| 29 | AM127943 | VALVE | 1 | | |

VALVE SEAL KIT (FOR ALL VALVE SECTIONS)
JOINT DE VALVE (POUR TOUTES LES SECTIONS VALVES)
VENTILDICHTUNGS-KIT (FUER ALLE VENTILSEKTIONEN)
KIT TENUTA VALVOLE (PER TUTTII BLOCCHI VALVOLE)
JUEGO DE JUNTA DE VALVULA (PARA TODAS LAS SECCIONES DE VALVULA)
VENTILTAETNINGSSATS (FOER ALLA VENTILSEKTIONER)

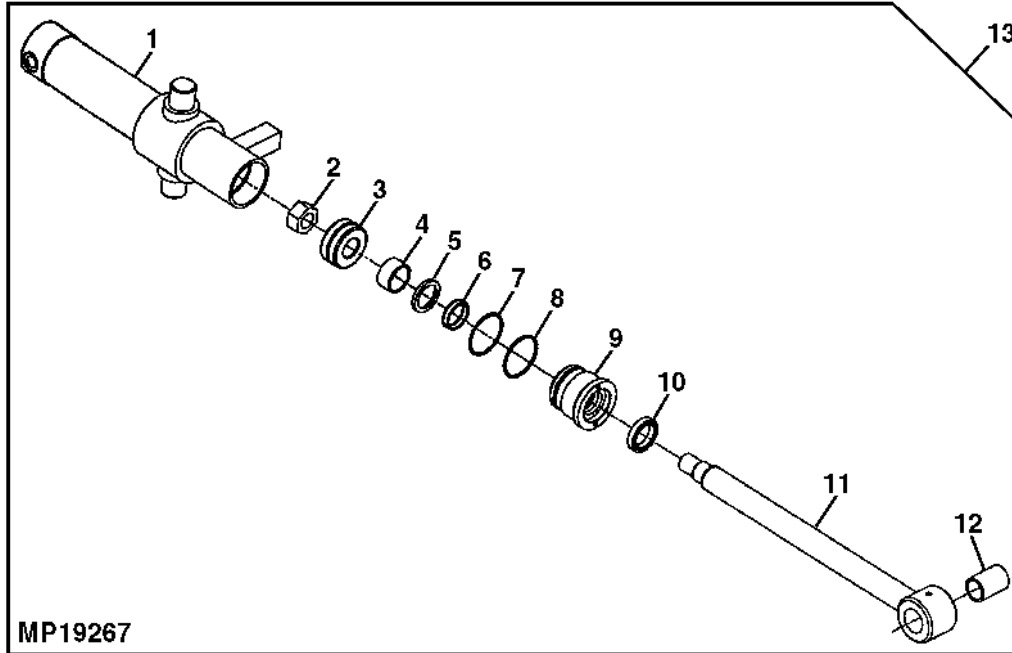
MP19246 -UN-06AUG98



VALVE SEAL KIT (FOR ALL VALVE SECTIONS) (CONTINUED)

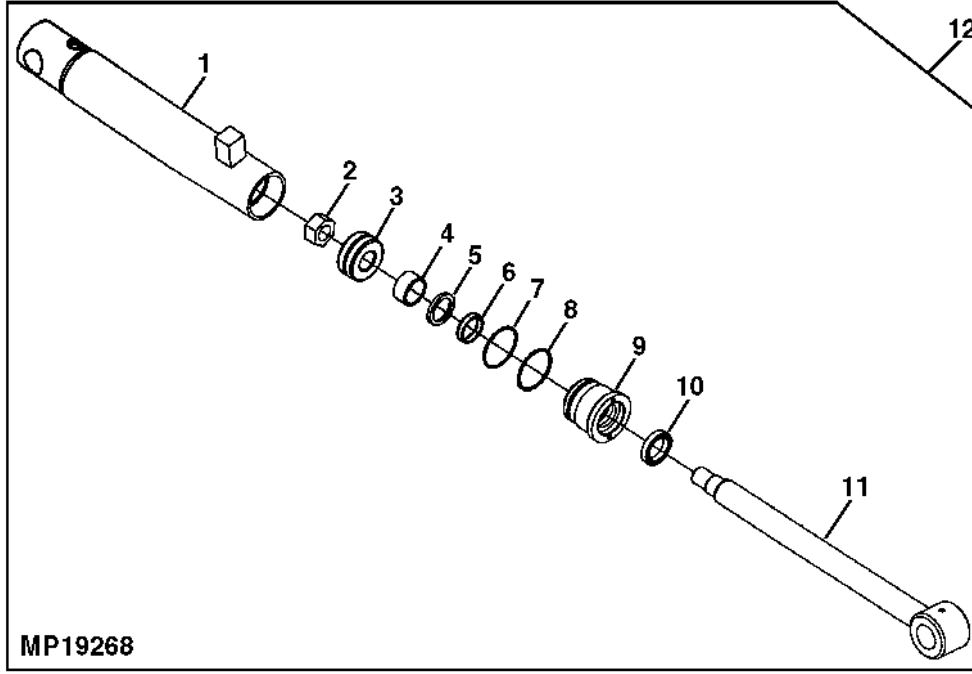
| KEY | PART NO. | PART NAME | QTY | SERIAL NO. | REMARKS |
|-----|----------|--------------|-----|---------------------------------|---|
| 1 | PT8130 | KIT | 3 | | END PLATE |
| 2 | AW17093 | KIT | 2 | | RELIEF VALVE (DIPPERSTICK AND BOOM VALVE SECTIONS) (ON BOOM LOCATED IN BOTTOM PORT) |
| 3 | Z29304 | O-RING | 2 | (A) | |
| 4 | T35985 | BACK-UP RING | 2 | (A) | |
| 5 | W19903 | O-RING | 2 | (A) | |
| 6 | T35984 | BACK-UP RING | 4 | (A) | |
| 7 | H63283 | O-RING | 2 | (A) | |
| 8 | PT8139 | SEAL KIT | 6 | (A) | |
| 9 | T104786 | WASHER | 2 | | |
| 10 | T104785 | BACK-UP RING | 12 | | |
| 11 | T57246 | O-RING | 12 | | |
| 12 | AM120974 | SEAL KIT | 6 | | |
| 13 | | SEAL | 3 | (A) (B) EXHAUST | |
| 14 | | SEAL | 1 | (A) (B) PRESSURE | |
| 15 | AM117715 | SEAL KIT | 6 | (A) (INCLUDES PARTS MARKED (B)) | |
| 16 | T35986 | PIN | 1 | | |
| 17 | PT8131 | SEAL KIT | 1 | | MAIN RELIEF VALVE |
| 18 | PT8132 | SEAL KIT | 1 | | (COMPLETE) |
| .. | PT8140 | SEAL KIT | 1 | | (INCLUDES PARTS MARKED (A)) |

SWING CYLINDER
 VERIN DE BRAS DE DEBATTEMENT
 SCHWINGARMZYLINDER
 CILINDRO DEL BRACCIO OSCILLANTE
 CILINDRO BASCULANTE
 SVAENGANORDNINGENS CYLINDER
 MP19267 -UN-06AUG98



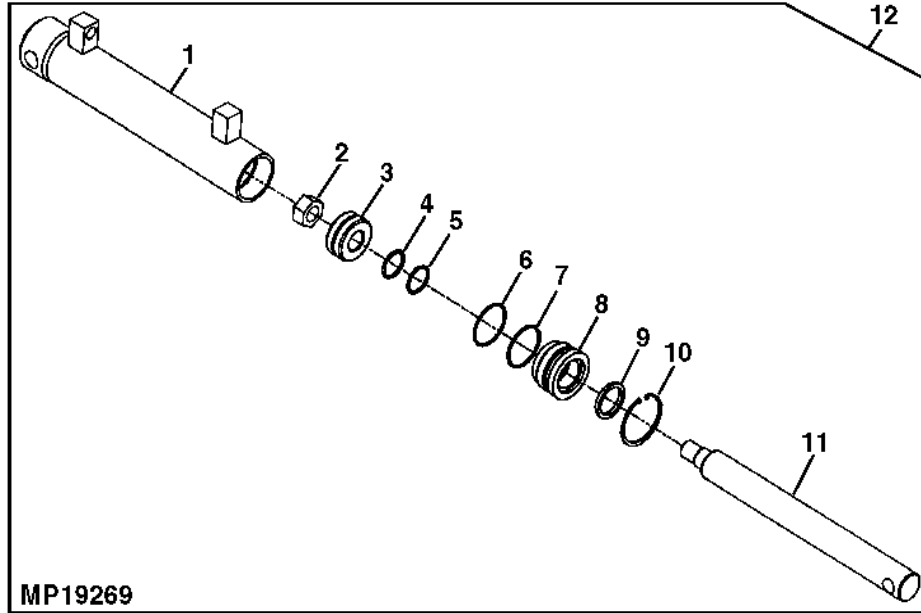
| KEY | PART NO. | PART NAME | QTY | SERIAL NO. | REMARKS |
|-----|----------|--------------------|-----|-----------------------------|---------|
| 1 | AM127934 | TUBE | 1 | | |
| 2 | PT10406 | LOCK NUT | 1 | | |
| 3 | M138574 | PISTON | 1 | | |
| 4 | | WEAR RING | 1 | (A) | |
| 5 | | SEAL | 1 | (A) WIPER | |
| 6 | | SEAL | 1 | (A) U-CUP | |
| 7 | | O-RING | 1 | (A) | |
| 8 | | BACK-UP RING | 1 | (A) | |
| 9 | AM127936 | SEAL | 1 | ROD | |
| 10 | | SEAL | 1 | (A) WIPER | |
| 11 | M138579 | ROD | 1 | | |
| 12 | M138580 | BEARING | 1 | | |
| 13 | AM127902 | HYDRAULIC CYLINDER | 1 | | |
| .. | AM127938 | SEAL KIT | 1 | (INCLUDES PARTS MARKED (A)) | |

BUCKET CYLINDER
VERIN DU GODET
SCHAUFELZYLINDER
CILINDRO DELLA BENNA
CILINDRO DEL CUCHARON
SKOPCYLINDER
 MP19268 -UN-06AUG98



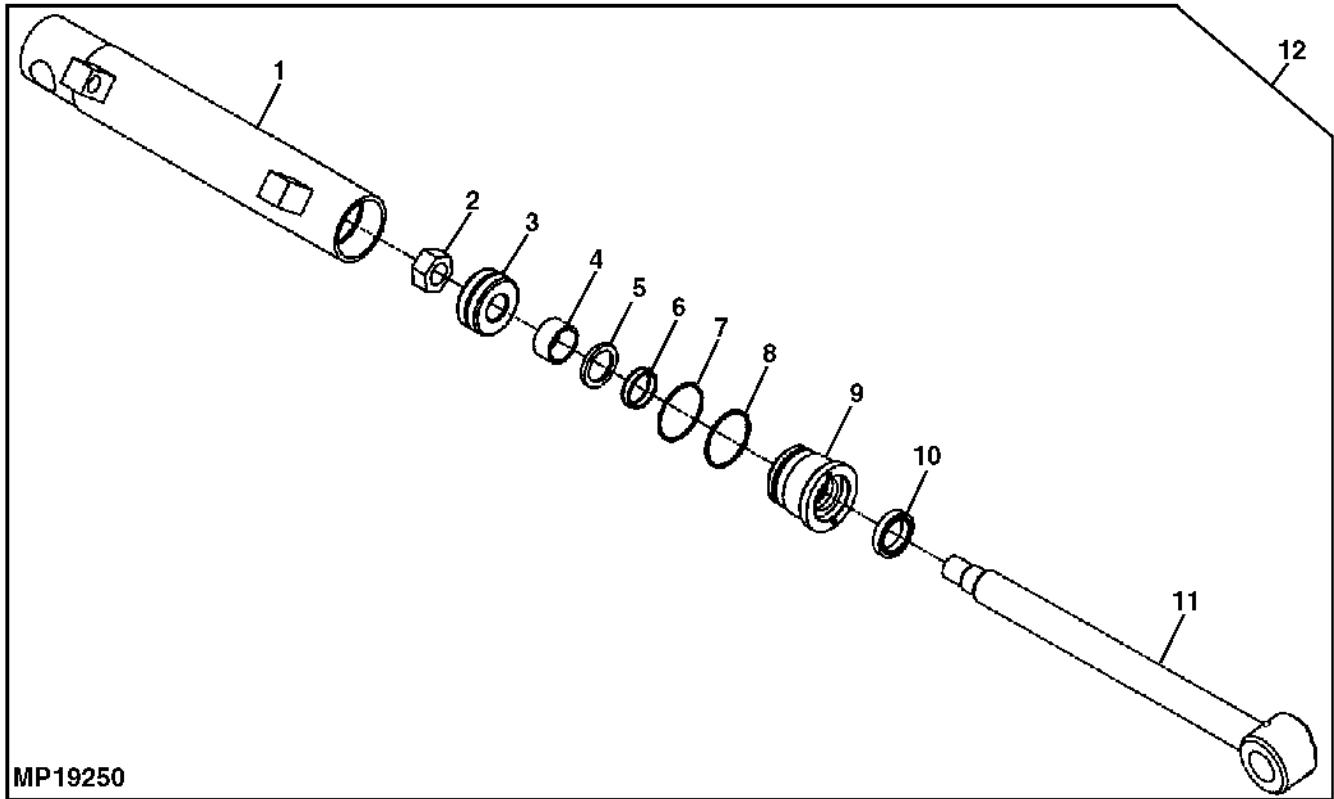
| KEY | PART NO. | PART NAME | QTY | SERIAL NO. | REMARKS |
|-----|----------|--------------------|-----|-----------------------------|---------|
| 1 | AM127932 | TUBE | 1 | | |
| 2 | PT10406 | LOCK NUT | 1 | | |
| 3 | M138574 | PISTON | 1 | | |
| 4 | | WEAR RING | 1 | (A) | |
| 5 | | SEAL | 1 | (A) WIPER | |
| 6 | | SEAL | 1 | (A) U-CUP | |
| 7 | | O-RING | 1 | (A) | |
| 8 | | BACK-UP RING | 1 | (A) | |
| 9 | AM127936 | SEAL | 1 | | |
| 10 | | SEAL | 1 | (A) WIPER | |
| 11 | M138577 | ROD | 1 | | |
| 12 | AM127900 | HYDRAULIC CYLINDER | 1 | | |
| .. | AM127938 | SEAL KIT | 1 | (INCLUDES PARTS MARKED (A)) | |

STABILIZER CYLINDER
VERIN DE STABILISATEUR
STABILISATORYLINDER
CILINDRO DELLO STABILIZZATORE
CILINDRO DEL ESTABILIZADOR
STABILISATORNS CYLINDER
 MP19269 -UN-06AUG98



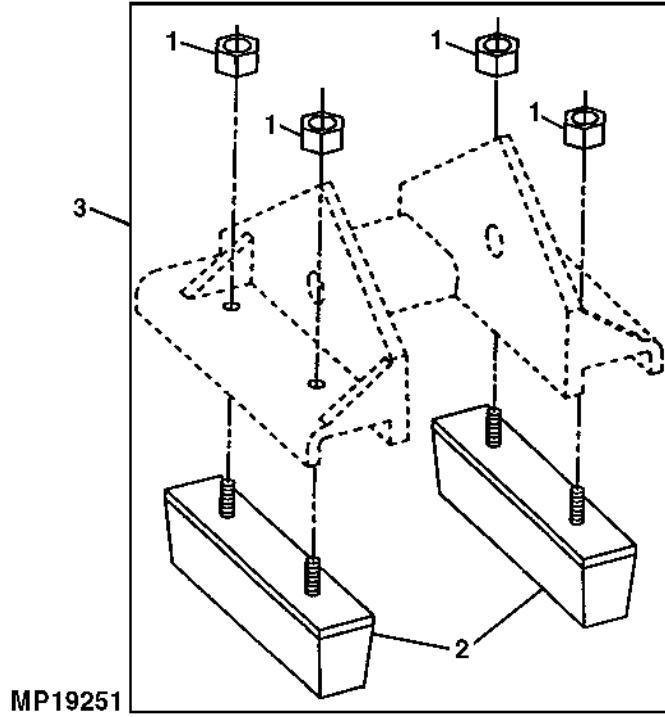
| KEY | PART NO. | PART NAME | QTY | SERIAL NO. | REMARKS |
|-----|----------|--------------------|-----|-----------------------------|---------|
| 1 | AM127931 | TUBE | 1 | | |
| 2 | PT10406 | LOCK NUT | 1 | | |
| 3 | M138575 | PISTON | 1 | | |
| 4 | | O-RING | 1 | (A) | |
| 5 | | BACK-UP RING | 1 | (A) | |
| 6 | | O-RING | 1 | (A) | |
| 7 | | BACK-UP RING | 1 | (A) | |
| 8 | PT10486 | SEAL | 1 | | |
| 9 | | SEAL | 1 | (A) | |
| 10 | | SNAP RING | 1 | (A) | |
| 11 | M138576 | ROD | 1 | | |
| 12 | AM127899 | HYDRAULIC CYLINDER | 1 | | |
| .. | AM127937 | SEAL KIT | 1 | (INCLUDES PARTS MARKED (A)) | |

BOOM AND DIPPERSTICK CYLINDER
 VERIN DE LA FLECHE ET DES BRAS DU GODET
 LADESCHWINGE UND LOEFFELBAGGER-ZYLINDER
 CILINDRO DEL BRACCIO E DEL BILANCIERE
 CILINDRO DEL AGUILON Y DEL BRAZO DEL AGUILON
 BOM- OCH SKOPSTAGSCYLINDER
 MP19250 -UN-06AUG98



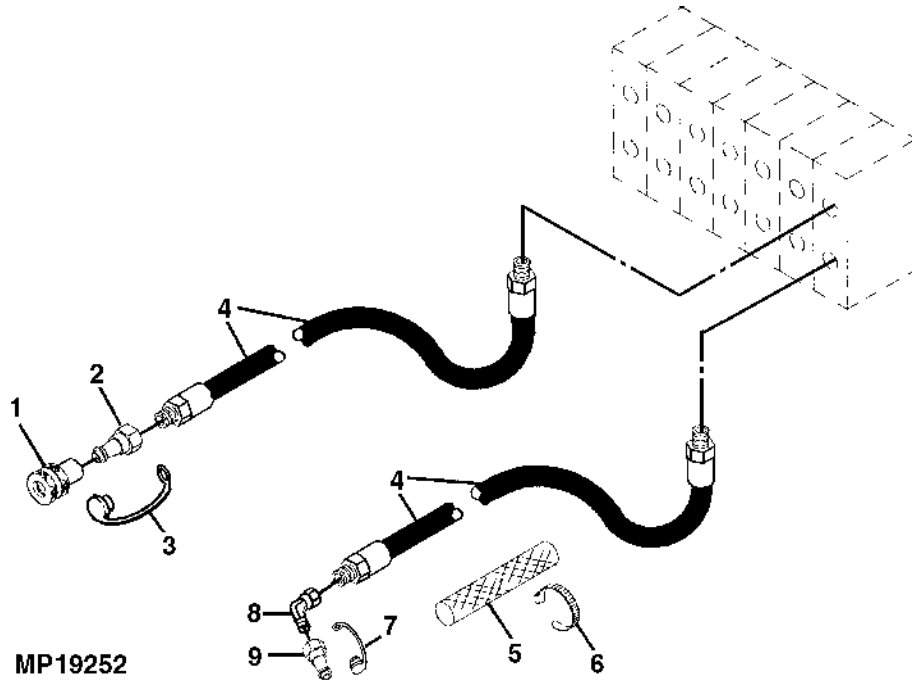
| KEY | PART NO. | PART NAME | QTY | SERIAL NO. | REMARKS |
|-----|----------|--------------------|-----|-----------------------------|---------|
| 1 | AM127933 | TUBE | 1 | | |
| 2 | PT10406 | LOCK NUT | 1 | | |
| 3 | M138575 | PISTON | 1 | | |
| 4 | | WEAR RING | 1 | (A) | |
| 5 | | SEAL | 1 | (A) WIPER | |
| 6 | | SEAL | 1 | (A) U-CUP | |
| 7 | | O-RING | 1 | (A) | |
| 8 | | BACK-UP RING | 1 | (A) | |
| 9 | AM127927 | SEAL | 1 | | |
| 10 | | SEAL | 1 | (A) WIPER | |
| 11 | M138578 | ROD | 1 | | |
| 12 | AM127901 | HYDRAULIC CYLINDER | 1 | | |
| .. | AM127930 | SEAL KIT | 1 | (INCLUDES PARTS MARKED (A)) | |

STREET PAD KIT
 TAMPONS DE STABILISATEUR
 STABILISATOR-GUMMIFUSS-KIT
 KIT PATTINI PER GUIDA SU STRADA
 JUEGO DE ALHOMADILLAS PARA CARRETERA
 SATS MED GUMMISTOED FOER STABILISATOR
 MP19251 -UN-06AUG98



| KEY | PART NO. | PART NAME | QTY | SERIAL NO. | REMARKS |
|-----|----------------|------------|-----|-------------------|---------|
| 1 | H99923 | LOCK NUT | 8 | | |
| 2 | M138567 | PAD | 4 | | |
| 3 | BM19556 | KIT | 1 | STREET PAD | |

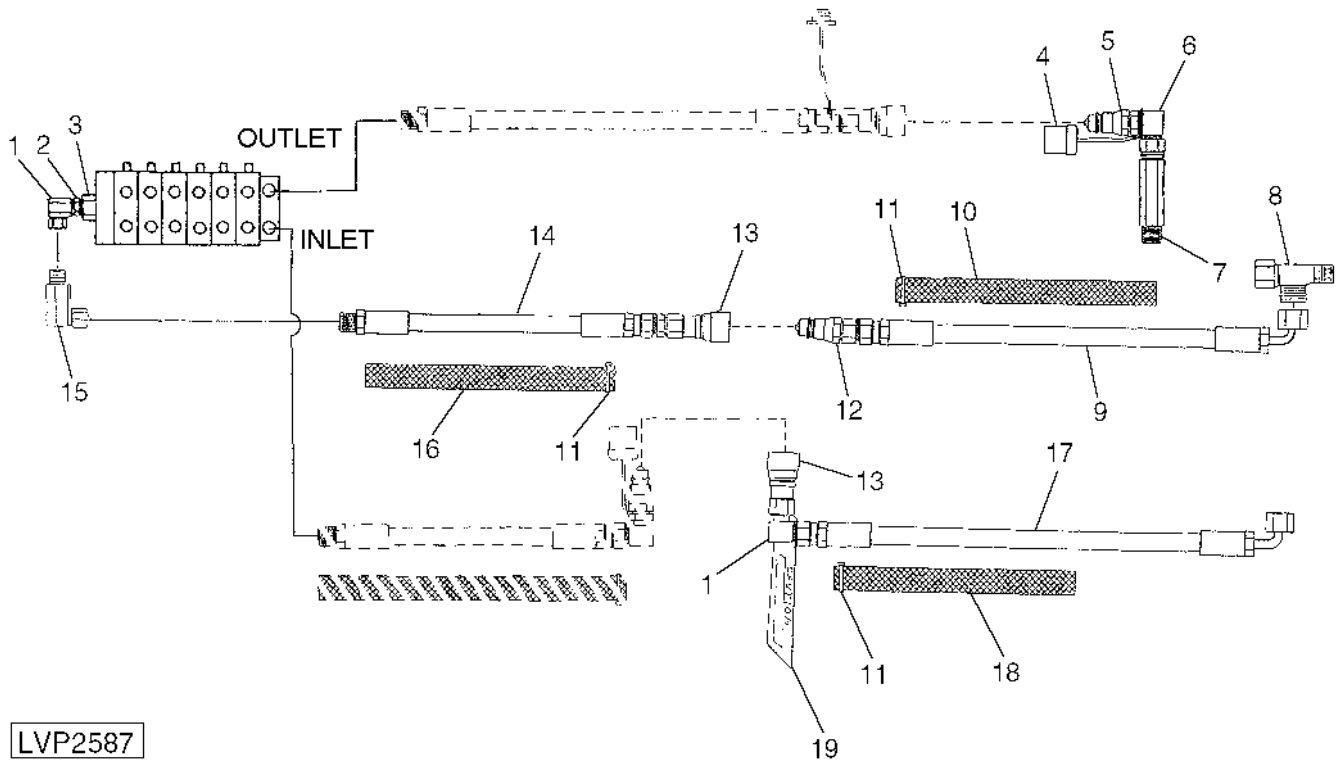
PRESSURE AND RETURN HOSES
 CONDUITES DE RETOUR ET DE CHARGE
 DRUCK- UND RUECKLAUFSCHLAEUCE
 TUBI FLESSIBILI DI PRESSIONE E DI RITORNO
 MANGUERAS DE PRESION Y RETORNO
 TRYCK- OCH RETURSLANGAR
 MP19252 -UN-06AUG98



| KEY | PART NO. | PART NAME | QTY | SERIAL NO. | REMARKS |
|-----|----------|----------------------------|-----|------------|---------|
| 1 | M93645 | HYD. INTERNAL HALF COUPLER | 1 | | |
| 2 | AM127907 | ADAPTER | 1 | | |
| 3 | ET15511 | CAP | 1 | | |
| 4 | AM127908 | HYDRAULIC HOSE | 2 | | |
| 5 | M96125 | SLEEVE | 1 | | |
| 6 | H77698 | TIE BAND | 5 | | |
| 7 | A15898 | CAP | 1 | | |
| 8 | AM127906 | ADAPTER | 1 | | |
| 9 | AR94522 | QUICK COUPLER | 1 | | |

PRESSURE AND RETURN HOSES (5105/5205 TRACTORS)
CONDUITES DE RETOUR ET DE CHARGE (5105/5205 TRACTEURS)
DRUCK- UND RUECKKLAUFSCHLAEUICHE (5105/5205 TRAKTOREN)
TUBI FLESSIBILI DI PRESSIONE E DI RITORNO (5105/5205 TRATTORI)
MANGUERAS DE PRESION Y RETORNO (5105/5205 TRACTORES)
TRYCK- OCH RETURSLANGAR (5105/5205 TRAKTORER)

LVP2587 -UN-09JAN01



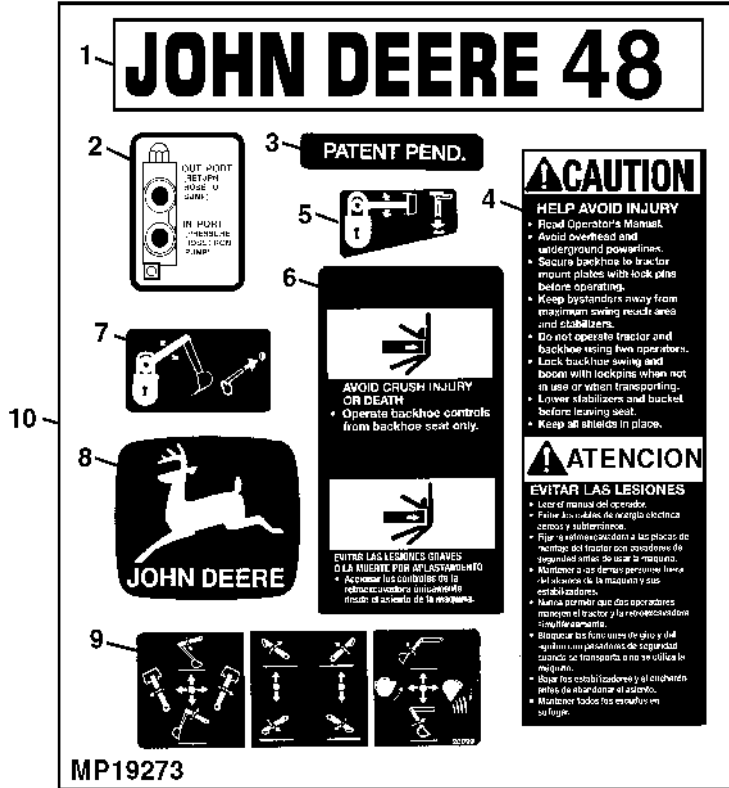
LVP2587

PRESSURE AND RETURN HOSES (5105/5205) (CONTINUED)

| KEY | PART NO. | PART NAME | QTY | SERIAL NO. | REMARKS |
|-----|----------|----------------------------|-----|------------|-------------------------|
| 1 | JD139 | ADAPTER | 2 | | |
| 2 | LVA11362 | ADAPTER | 1 | | |
| 3 | M119072 | SLEEVE | 1 | | (POWER BEYOND) |
| 4 | ET15510 | PLUG | 1 | | |
| 5 | M93646 | HYD. EXTERNAL HALF COUPLER | 1 | | |
| 6 | LVA11329 | ADAPTER | 1 | | |
| 7 | M93644 | THREADED NIPPLE | 1 | | |
| 8 | LVA11308 | UNION FITTING | 1 | | |
| 9 | LVA11331 | HYDRAULIC HOSE | 1 | | (POWER BEYOND RETURN) |
| 10 | M119105 | HOSE SLEEVE - FABRICATE | AR | | |
| 11 | H77698 | TIE BAND | 3 | | |
| 12 | C14618 | HYD. INTERNAL HALF COUPLER | 1 | | |
| 13 | C14619 | HYD. EXTERNAL HALF COUPLER | 2 | | |
| 14 | M119074 | HYDRAULIC HOSE | 1 | | |
| 15 | M138027 | UNION FITTING | 1 | | |
| 16 | M119106 | HOSE SLEEVE - FABRICATE | AR | | |
| 17 | LVA11332 | HOSE | 1 | | (POWER BEYOND PRESSURE) |
| 18 | M76854 | SLEEVE | AR | | |
| 19 | M119107 | TAG | 1 | | |

LABELS
ADHESIFS
AUFKLEBER
ETICHETTE
ETIQUETAS
ETIKETTER
MP19273

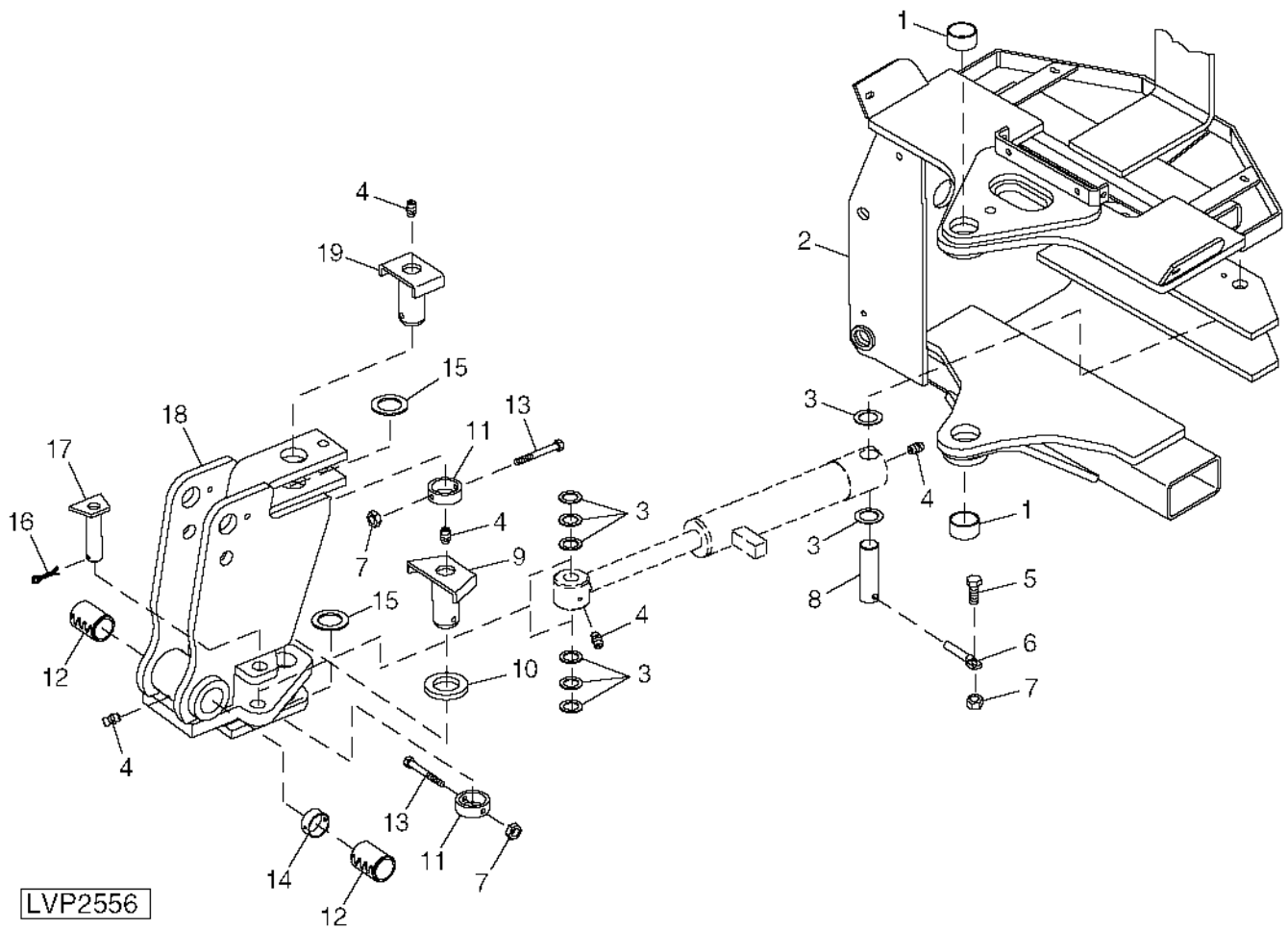
-UN-19AUG98



| KEY | PART NO. | PART NAME | QTY | SERIAL NO. | REMARKS |
|-----|----------|-----------|-----|------------|----------------|
| 1 | | LABEL | 2 | | MODEL ID (48) |
| 2 | | LABEL | 1 | | INLET/OUTLET |
| 3 | M139062 | LABEL | 1 | | PATENT PENDING |
| 4 | | LABEL | 2 | | CAUTION |
| 5 | M121869 | LABEL | 1 | | SWING LOCK |
| 6 | | LABEL | 2 | | WARNING |
| 7 | M121870 | LABEL | 1 | | BOOM LOCK |
| 8 | JD5586 | LABEL | 1 | | LEAPING DEER |
| 9 | | LABEL | 1 | | CONTROLS |
| 10 | AM128193 | LABEL KIT | 1 | | MODEL 48 |

MEMORANDA

MAIN FRAME AND SWING FRAME
CADRE PRINCIPAL ET CADRE DE DEBATTEMENT
HAUPTTRAHMEN UND SCHWINGRAHMEN
TELAIO PRINCIPALE E TELAIO OSCILLANTE
CHASIS PRINCIPAL Y CHASIS BASCULANTE
HUVUDRAM OCH SVAENGANORDNINGENS RAM
LVP2556 -UN-17NOV00



E12

49 BACKHOE

MAIN FRAME AND SWING FRAME (CONTINUED)

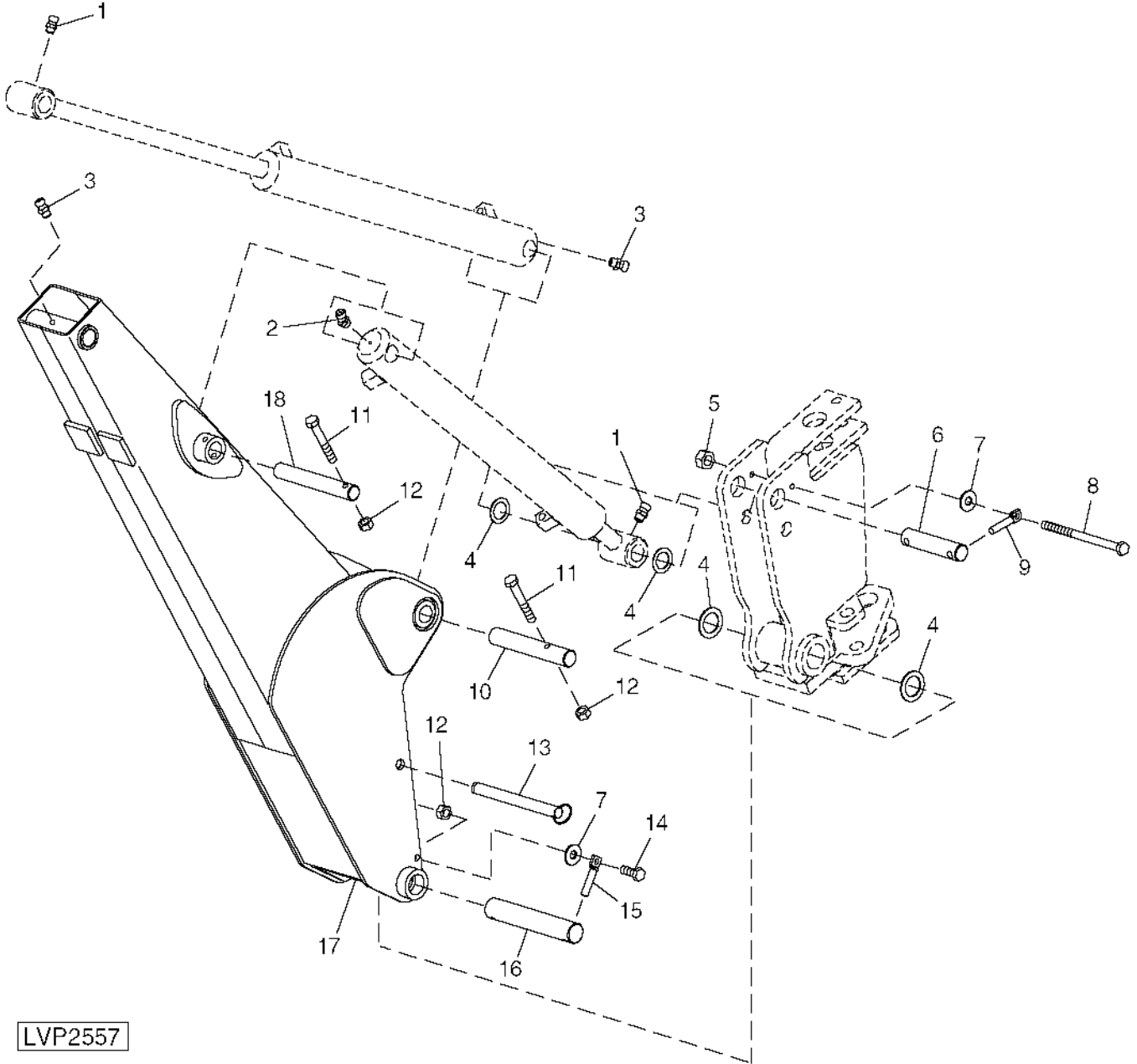
| KEY | PART NO. | PART NAME | QTY | SERIAL NO. | REMARKS |
|-----|----------|---------------------|-----|------------|---------------------------|
| 1 | LVA11316 | BEARING | 2 | | |
| 2 | LVA11324 | FRAME | 1 | | |
| 3 | 24H1447 | WASHER | 16 | | 1-1/32" X 1-1/2" X 0.036" |
| 4 | JD7844 | LUBRICATION FITTING | 5 | | |
| 5 | M138011 | BOLT | 4 | | |
| 6 | M118630 | RETAINER | 2 | | |
| 7 | R11151 | LOCK NUT | 7 | | |
| 8 | LVU12277 | PIN | 2 | | |
| 9 | LVA11327 | PIN | 1 | | |
| 10 | PT10438 | THRUST WASHER | 1 | | |
| 11 | M137986 | BUSHING | 2 | | |
| 12 | PT15104 | BUSHING | 2 | | |
| 13 | M121798 | BOLT | 2 | | |
| 14 | PT15276 | SPACER | 1 | | |
| 15 | M138024 | BUSHING | 2 | | |
| 16 | 11H215 | COTTER PIN | 2 | | 1/4" X 1-1/2" |
| 17 | LVA11328 | PIN | 2 | | |
| 18 | LVA11321 | FRAME | 1 | | (SWING) |
| 19 | LVA11326 | PIN | 1 | | |

E13

49 BACKHOE

BOOM
FLECHE
LADESCHWINGE
BRACCIO
AGUILON
BOM
LVP2557

-UN-17NOV00



LVP2557

E14

49 BACKHOE

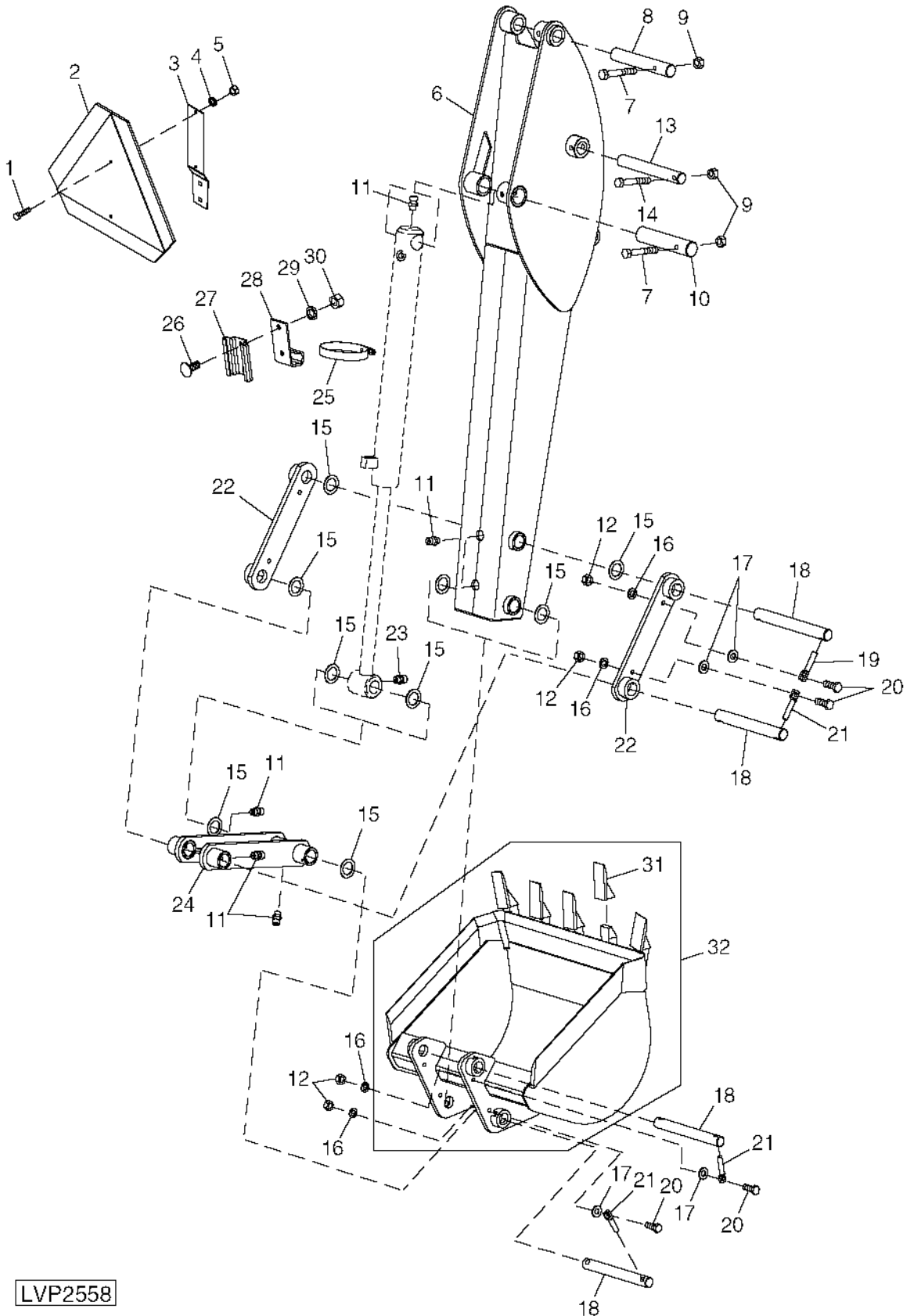
BOOM (CONTINUED)

| KEY | PART NO. | PART NAME | QTY | SERIAL NO. | REMARKS |
|-----|----------|---------------------|-----|------------|----------------------------|
| 1 | M138797 | LUBRICATION FITTING | 2 | | |
| 2 | M138067 | LUBRICATION FITTING | 1 | | |
| 3 | JD7844 | LUBRICATION FITTING | 2 | | |
| 4 | 24H1526 | WASHER | 4 | | 1-33/64" X 2-1/4" X 0.075" |
| 5 | H99923 | LOCK NUT | 4 | | |
| 6 | LVU12265 | PIN | 1 | | |
| 7 | 24H1305 | WASHER | 2 | | 13/32" X 13/16" X 0.065" |
| 8 | 19H2345 | CAP SCREW | 1 | | 3/8" X 5-1/2" |
| 9 | M118631 | RETAINER | 2 | | |
| 10 | LVU12274 | PIN | 1 | | |
| 11 | 19H2732 | CAP SCREW | 2 | | 3/8" X 2-3/4" |
| 12 | F3220R | LOCK NUT | 3 | | |
| 13 | LVU12262 | PIN | 1 | | |
| 14 | 19H2987 | CAP SCREW | 1 | | 3/8" X 1" |
| 15 | PT14393 | RETAINER | 1 | | |
| 16 | M137987 | PIN | 1 | | |
| 17 | LVA11323 | BACKHOE BOOM | 1 | | |
| 18 | LVU12273 | PIN | 1 | | |

E15

49 BACKHOE

BUCKET AND DIPPERSTICK
GODET ET BRAS DU GODET
SCHAUFEL UND LÖFFELBAGGERSTANGE
BENNA E BILANCIERE
CUCHARON Y BRAZO DEL CUCHARON
SKOPA OCH SKOPSTAG
LVP2558 -UN-17NOV00



LVP2558

E16

49 BACKHOE

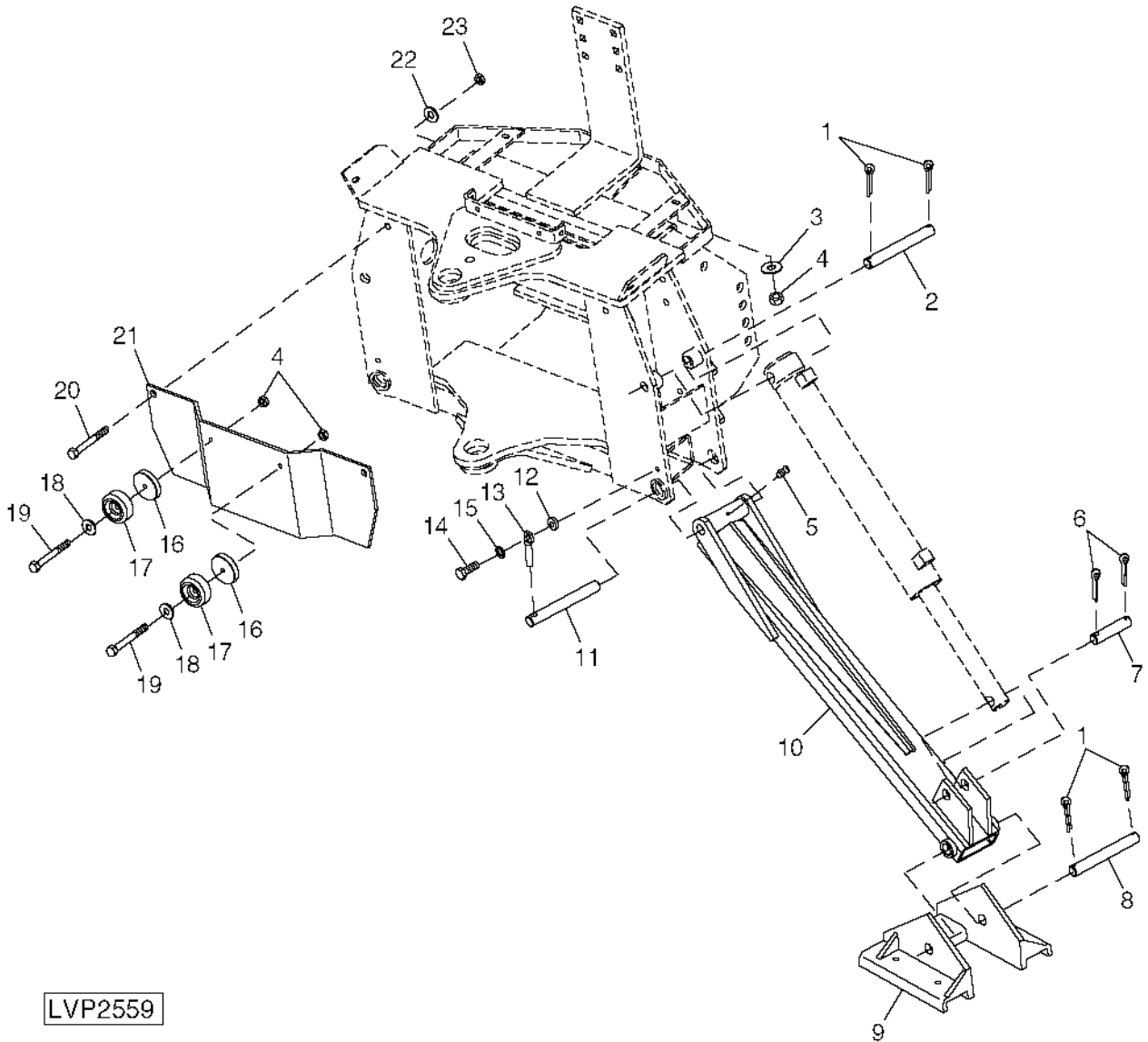
BUCKET AND DIPPERSTICK (CONTINUED)

| KEY | PART NO. | PART NAME | QTY | SERIAL NO. | REMARKS |
|-----------|-----------------|-----------------------|----------|------------|--------------------------|
| 1 | 19H1948 | CAP SCREW | 2 | | 1/4" X 3/4" |
| 2 | TY2615 | SMV EMBLEM | 1 | | |
| 3 | JD5404 | BRACKET | 1 | | |
| 4 | 12H302 | LOCK WASHER | 2 | | 1/4" |
| 5 | 14H786 | NUT | 2 | | 1/4" |
| 6 | LVA11322 | DIPPERSTICK | 1 | | |
| 7 | 19H2732 | CAP SCREW | 2 | | 3/8" X 2-3/4" |
| 8 | LVU12275 | PIN | 1 | | |
| 9 | F3220R | LOCK NUT | 3 | | |
| 10 | LVU12276 | PIN | 1 | | |
| 11 | JD7844 | LUBRICATION FITTING | 5 | | |
| 12 | 14H846 | NUT | 4 | | 3/8" |
| 13 | LVU12272 | PIN | 1 | | |
| 14 | 19H2458 | CAP SCREW | 1 | | 3/8" X 3" |
| 15 | 24H1495 | WASHER | 9 | | 1-9/32" X 2" X 0.036" |
| 16 | 12H304 | LOCK WASHER | 4 | | 3/8" |
| 17 | 24H1305 | WASHER | 6 | | 13/32" X 13/16" X 0.065" |
| 18 | PT10435 | PIN | 4 | | |
| 19 | PT14393 | RETAINER | 2 | | |
| 20 | 19H2309 | CAP SCREW | 6 | | 3/8" X 1-1/4" |
| 21 | M118631 | RETAINER | 6 | | |
| 22 | LVA11320 | LINK | 2 | | |
| 23 | M138797 | LUBRICATION FITTING | 1 | | |
| 24 | LVA11319 | LINK | 1 | | |
| 25 | AR40418 | HOSE CLAMP | 1 | | |
| 26 | 03H1268 | BOLT | 2 | | 5/16" X 3/4" |
| 27 | JD126 | SOCKET | 1 | | |
| 28 | M118635 | SUPPORT | 1 | | |
| 29 | 12H303 | LOCK WASHER | 2 | | 5/16" |
| 30 | 14H785 | NUT | 2 | | 5/16" |
| 31 | M121881 | TOOTH | AR | | (BUCKET) |
| | AM120955 | TOOTH | AR | | (BUCKET) (WITH SHANK) |
| 32 | LVB25173 | BACKHOE BUCKET | 1 | | 14" |
| | LVB25174 | BACKHOE BUCKET | 1 | | 18" |
| | LVB25175 | BACKHOE BUCKET | 1 | | 24" |
| | LVB25176 | BACKHOE BUCKET | 1 | | 36" |
| | LVB25177 | BACKHOE BUCKET | 1 | | 40" |

E17

49 BACKHOE

STABILIZER
STABILISATEUR
STABILISATOR
STABILIZZATORE
ESTABILIZADOR
STABILISATOR
LVP2559 -UN-17NOV00



LVP2559

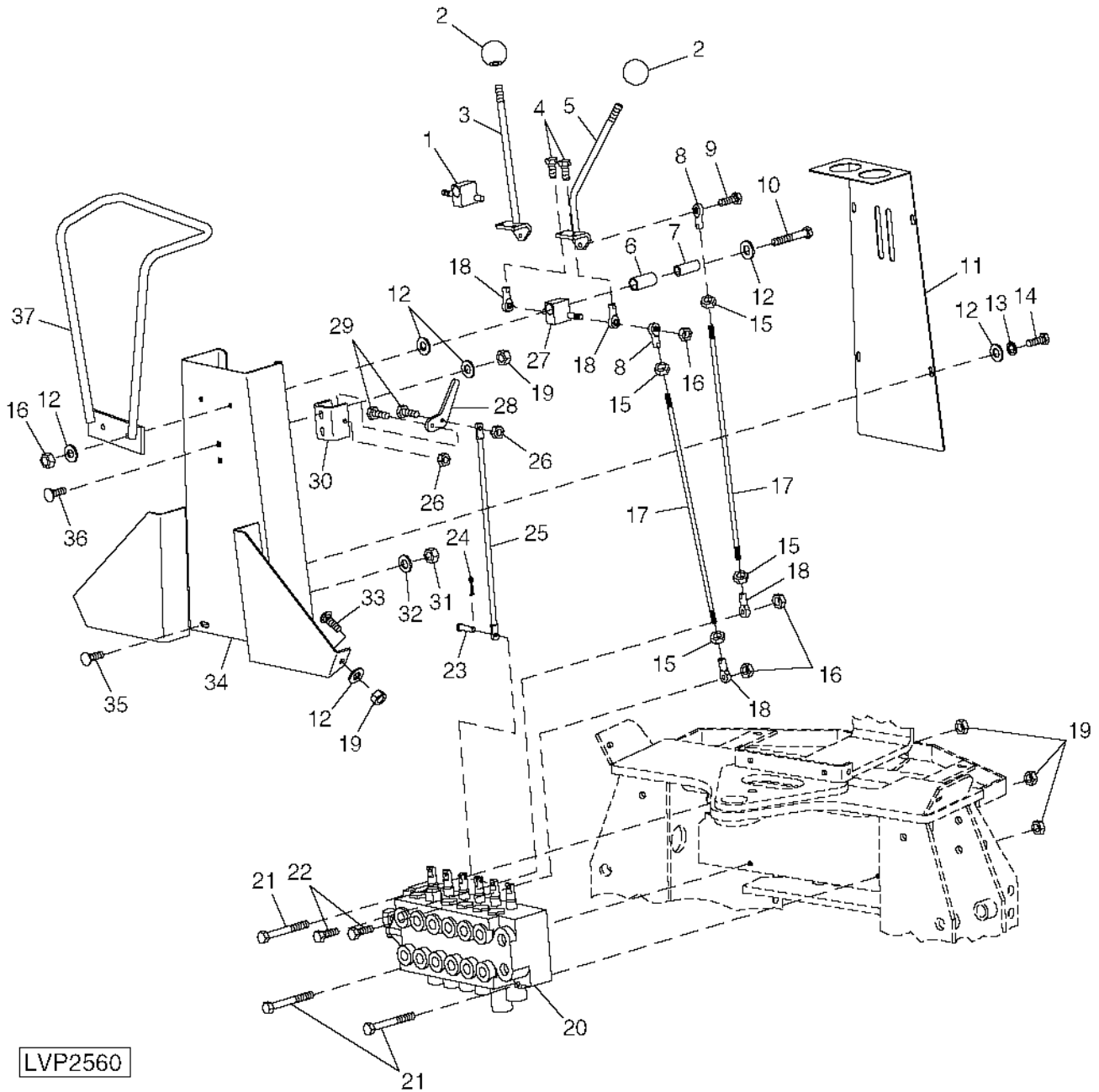
E18

49 BACKHOE

STABILIZER (CONTINUED)

| KEY | PART NO. | PART NAME | QTY | SERIAL NO. | REMARKS |
|-----|----------|---------------------|-----|------------|--------------------------|
| 1 | 11H218 | COTTER PIN | 8 | | 3/16" X 1-1/2" |
| 2 | PT14376 | PIN | 2 | | |
| 3 | 24H1136 | WASHER | 2 | | 11/32" X 11/16" X 0.065" |
| 4 | H76696 | LOCK NUT | 4 | | |
| 5 | JD7844 | LUBRICATION FITTING | 2 | | |
| 6 | 11H215 | COTTER PIN | 4 | | 1/4" X 1-1/2" |
| 7 | PT10453 | PIN | 2 | | |
| 8 | M118651 | PIN | 2 | | |
| 9 | M138065 | STABILIZER FOOT | 2 | | |
| 10 | LVA11325 | LEG | 2 | | |
| 11 | PT14399 | PIN | 2 | | |
| 12 | PT14382 | SPACER | 2 | | |
| 13 | M118631 | RETAINER | 4 | | |
| 14 | 19H2987 | CAP SCREW | 4 | | 3/8" X 1" |
| 15 | M138057 | LOCK WASHER | 2 | | |
| 16 | LVU12271 | SPACER | 2 | | |
| 17 | M137934 | BUMPER | 2 | | |
| 18 | 24H1682 | WASHER | 2 | | 13/32" X 7/8" X 0.120" |
| 19 | M121700 | BOLT | 2 | | |
| 20 | M138055 | BOLT | 2 | | |
| 21 | LVU12270 | PLATE | 1 | | |
| 22 | 12H301 | LOCK WASHER | 2 | | 1/2" |
| 23 | 14H809 | NUT | 2 | | 1/2" |

CONTROL LINKAGE, HANDLE AND SHROUD
TOLE DE PROTECTION, POIGNEE ET TRINGLERIE
BEDIENUNGSGESTAENGE, GRIFF UND SCHUTTVORRICHTUNG
TIRANTERIA DI COMANDO, MANIGLIA E PROTEZIONE
ENGANCHE DE CONTROL, MANGO Y RECUBRIMIENTO
MANOEVRERINGENS LAENKSYSTEM, HANDTAG OCH HOELJE
LVP2560 -UN-04DEC00



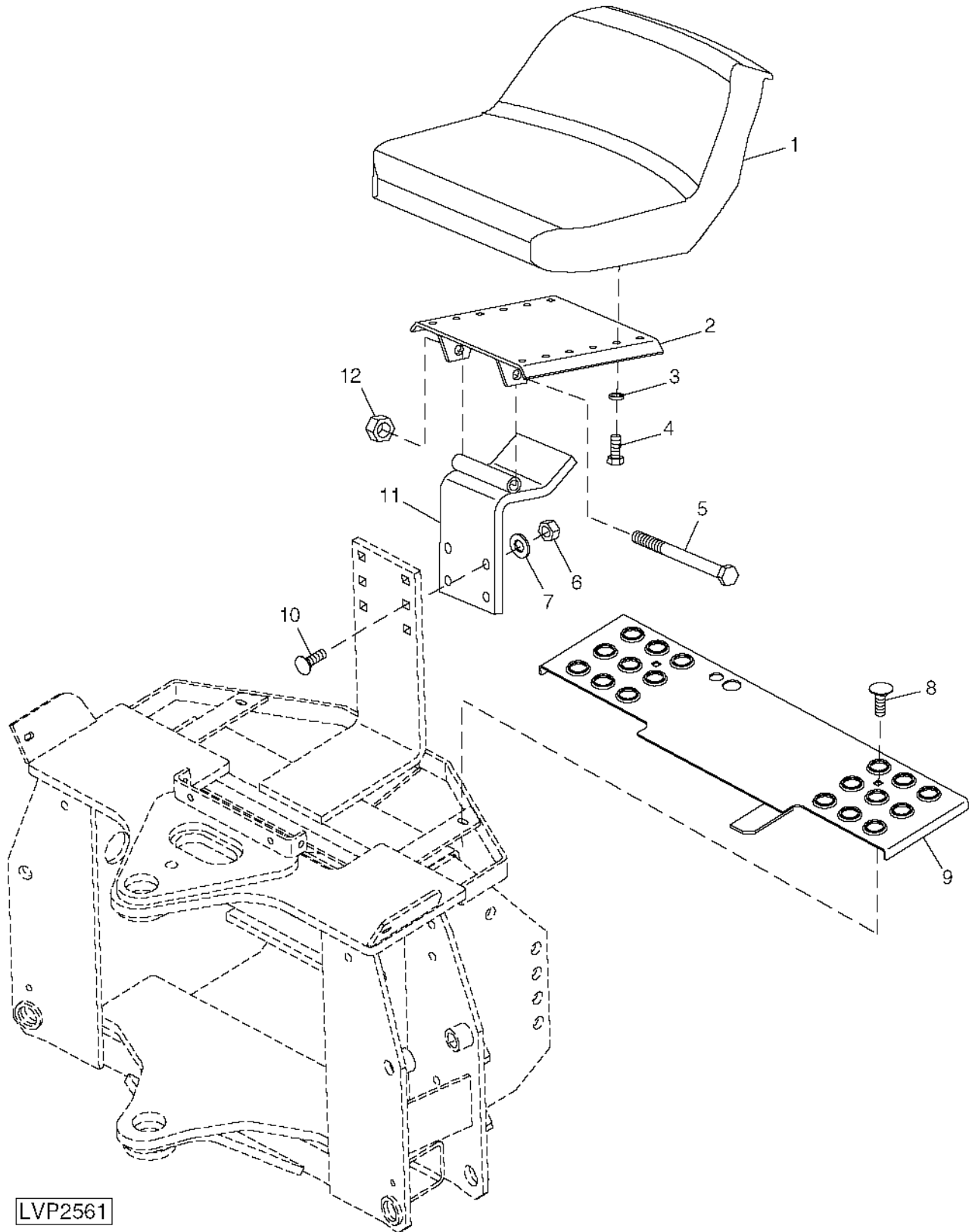
CONTROL LINKAGE, HANDLE AND SHROUD (CONTINUED)

| KEY | PART NO. | PART NAME | QTY | SERIAL NO. | REMARKS |
|-----|----------|---------------|-----|--------------------------|---------|
| 1 | LVA10553 | PIVOT | 1 | (RH) | |
| 2 | M118633 | KNOB | 2 | | |
| 3 | LVA10544 | CONTROL LEVER | 1 | (RH) | |
| 4 | 19H2127 | CAP SCREW | 4 | 5/16" X 7/8" | |
| 5 | LVA10545 | CONTROL LEVER | 1 | (LH) | |
| 6 | LVU10916 | BEARING | 2 | | |
| 7 | LVU10917 | BUSHING | 2 | | |
| 8 | LVA10555 | BALL JOINT | 4 | | |
| 9 | 19H2529 | CAP SCREW | 2 | 5/16" X 1" | |
| 10 | 19H3669 | BOLT | 2 | 5/16" X 2-1/4" | |
| 11 | M138069 | PLATE | 1 | (REAR) | |
| 12 | 24H1136 | WASHER | 10 | 11/32" X 11/16" X 0.065" | |
| 13 | 12H303 | LOCK WASHER | 2 | 5/16" | |
| 14 | 19H2551 | CAP SCREW | 2 | 5/16" X 3/4" | |
| 15 | 14H650 | NUT | 8 | 5/16" | |
| 16 | R11151 | LOCK NUT | 10 | | |
| 17 | M137981 | ROD | 4 | | |
| 18 | AT49297 | BALL JOINT | 8 | | |
| 19 | H76696 | LOCK NUT | 9 | | |
| 20 | LVA11307 | CONTROL VALVE | 1 | | |
| 21 | 19H1907 | CAP SCREW | 3 | 5/16" X 2-3/4" | |
| 22 | M138011 | BOLT | 2 | | |
| 23 | T35986 | PIN | 2 | | |
| 24 | 11H206 | COTTER PIN | 2 | 3/32" X 3/4" | |
| 25 | M137983 | ROD | 2 | (STABILIZER) | |
| 26 | M121704 | LOCK NUT | 4 | | |
| 27 | LVA10554 | PIVOT | 1 | (LH) | |
| 28 | M137952 | CONTROL LEVER | 2 | | |
| 29 | 19H1948 | CAP SCREW | 4 | 1/4" X 3/4" | |
| 30 | M138045 | BRACKET | 1 | | |
| 31 | H99923 | LOCK NUT | 2 | | |
| 32 | 24H1305 | WASHER | 2 | 13/32" X 13/16" X 0.065" | |
| 33 | 03H1268 | BOLT | 2 | 5/16" X 3/4" | |
| 34 | LVA11330 | SHROUD | 1 | (FRONT) | |
| 35 | 03H1519 | BOLT | 2 | 3/8" X 1" | |
| 36 | 03H1709 | BOLT | 2 | 5/16" X 1" | |
| 37 | AM127740 | BAR | 1 | | |

E21

49 BACKHOE

SEAT, BRACKET AND FOOTREST
SIEGE, SUPPORT ET REPOSE-PIED
SITZ, HALTERUNG UND FUSSTUETZE
SEDILE, STAFFA E POGGIAPIEDI
ASIENTO, SOPORTE Y REPOSAPIES
SITS, FAESTE OCH FOTSTOED
LVP2561 -UN-17NOV00

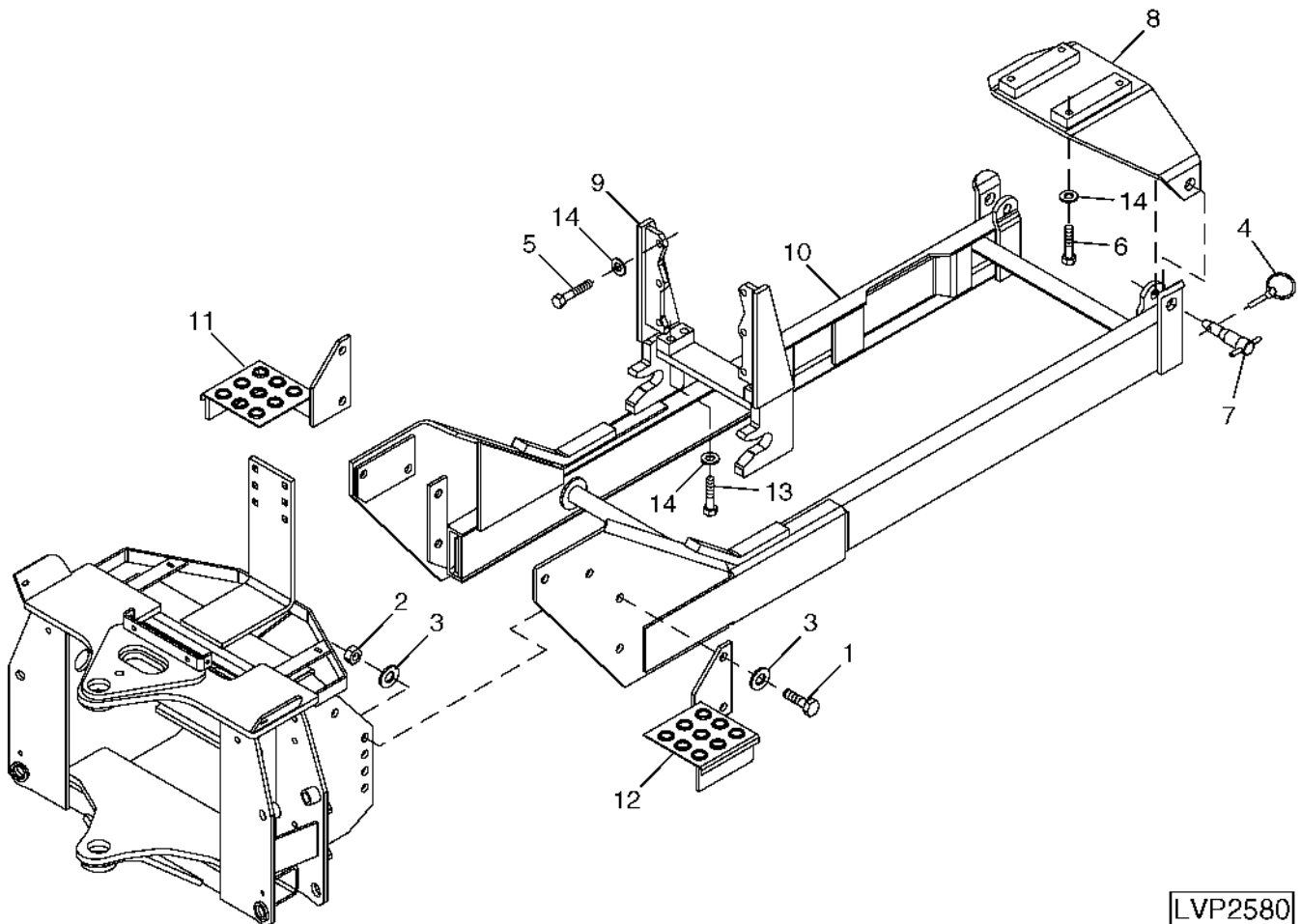


LVP2561

SEAT, BRACKET AND FOOTREST (CONTINUED)

| KEY | PART NO. | PART NAME | QTY | SERIAL NO. | REMARKS |
|-----|----------|-------------|-----|---------------|---------|
| 1 | M118632 | SEAT | 1 | | |
| 2 | AM127737 | PLATE | 1 | | |
| 3 | 12H303 | LOCK WASHER | 10 | 5/16" | |
| 4 | 19H1900 | CAP SCREW | 4 | 5/16" X 3/4" | |
| 5 | 19H3542 | CAP SCREW | 1 | 1/2" X 6-1/2" | |
| 6 | 14H809 | NUT | 4 | 1/2" | |
| 7 | 12H301 | LOCK WASHER | 4 | 1/2" | |
| 8 | 03H1268 | BOLT | 2 | 5/16" X 3/4" | |
| 9 | LVA11335 | PLATE | 1 | | |
| 10 | 03H1439 | BOLT | 4 | 1/2" X 1-3/4" | |
| 11 | KV17062 | BRACKET | 1 | | |
| 12 | B14441 | LOCK NUT | 1 | 1/2" | |

SUBFRAME ASSEMBLY AND MISCELLANEOUS PARTS
SOUS-CHASSIS ET PIÈCES DIVERSES
HILFSRAHMEN UND SONSTIGE TEILE
GRUPPO DEL TELAIO AUSILIARIO E PEZZI VARI
CONJUNTO DEL SUBCHASIS Y PIEZAS VARIAS
RAMBALKSENHET OCH DIVERSE DELAR
LVP2580 -UN-20DEC00



LVP2580

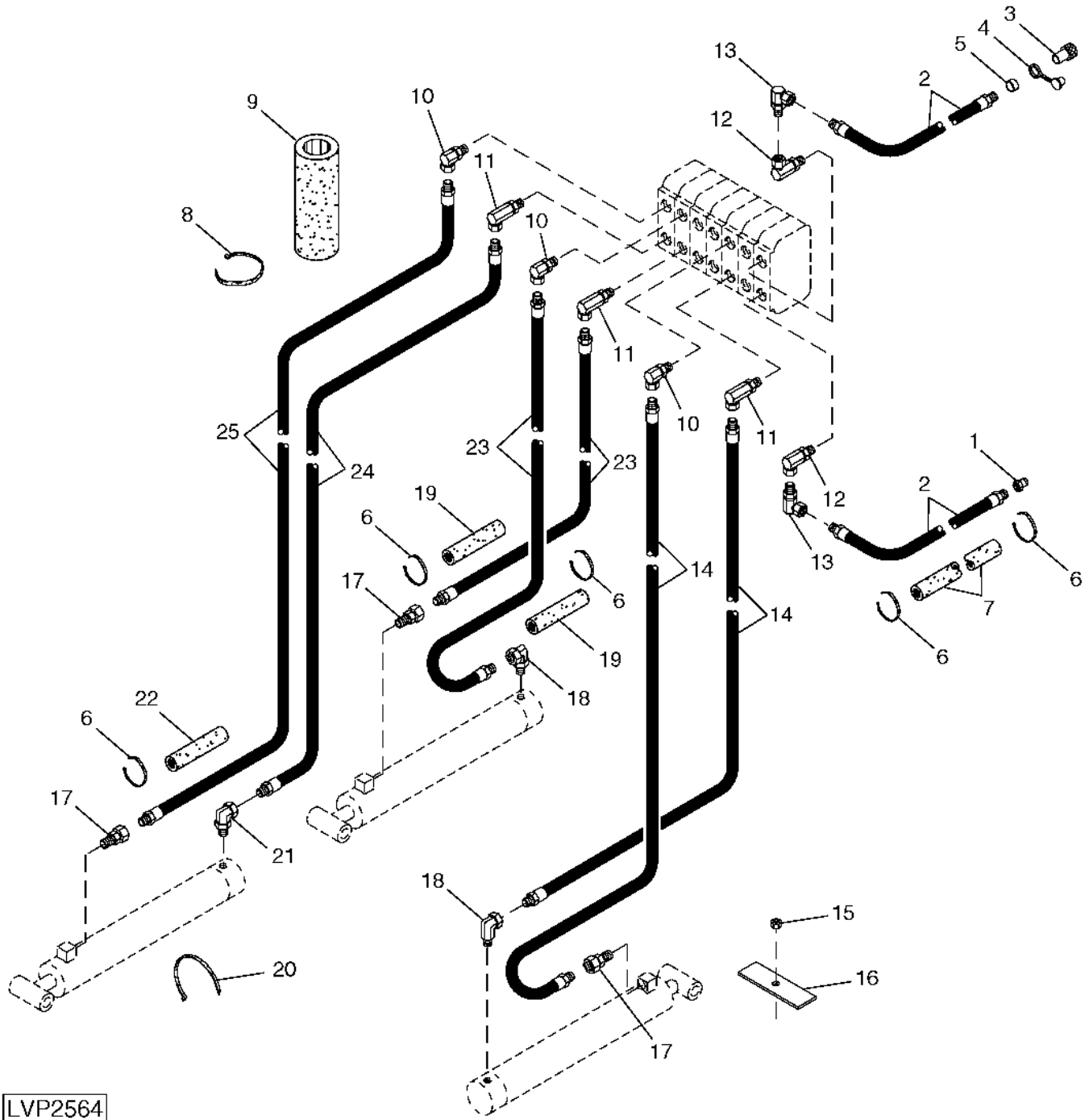
E24

SUBFRAME ASSEMBLY AND MISCELLANEOUS PARTS (CONTINUED)

| KEY | PART NO. | PART NAME | QTY | SERIAL NO. | REMARKS |
|-----|----------|----------------|-----|------------|----------|
| 1 | 19H3153 | CAP SCREW | 8 | | |
| 2 | PT8118 | LOCK NUT | 8 | | |
| 3 | LVU12278 | WASHER | 16 | | |
| 4 | AR60372 | QUICK LOCK PIN | 2 | | |
| 5 | 19M6579 | CAP SCREW | 6 | | |
| 6 | M119123 | BOLT | 4 | | |
| | M123400 | BOLT | 4 | | |
| 7 | PT8211 | PIN | 2 | | |
| 8 | AM118978 | HANGER | 1 | | |
| 9 | AM118979 | HANGER | 1 | | |
| 10 | | FRAME | 1 | | |
| 11 | LVA11359 | STEP | 1 | | (RH) |
| 12 | LVA11360 | STEP | 1 | | (LH) |
| 13 | 19M7720 | CAP SCREW | 4 | | M16 X 80 |
| 14 | R73290 | WASHER | 14 | | |

F1

HYDRAULIC LINES (BUCKET/DIPPERSTICK/BOOM)
CONDUITES HYDRAULIQUES (GODET/BRAS DU GODET/FLECHE)
HYDRAULIKSCHLAEUCE (SCHAUFEL, LOEFFELBAGGERSTANGE, LADESCHWINGE)
LINEE IDRAULICHE (BENNA/BILANCIERE/BRACCIO)
LINEAS HIDRAULICAS (CUCHARON/BRAZO/AGUILON)
HYDRAULLEDNINGAR (SKOPA/SKOPSTAG/BOM)
LVP2564 -UN-16NOV00

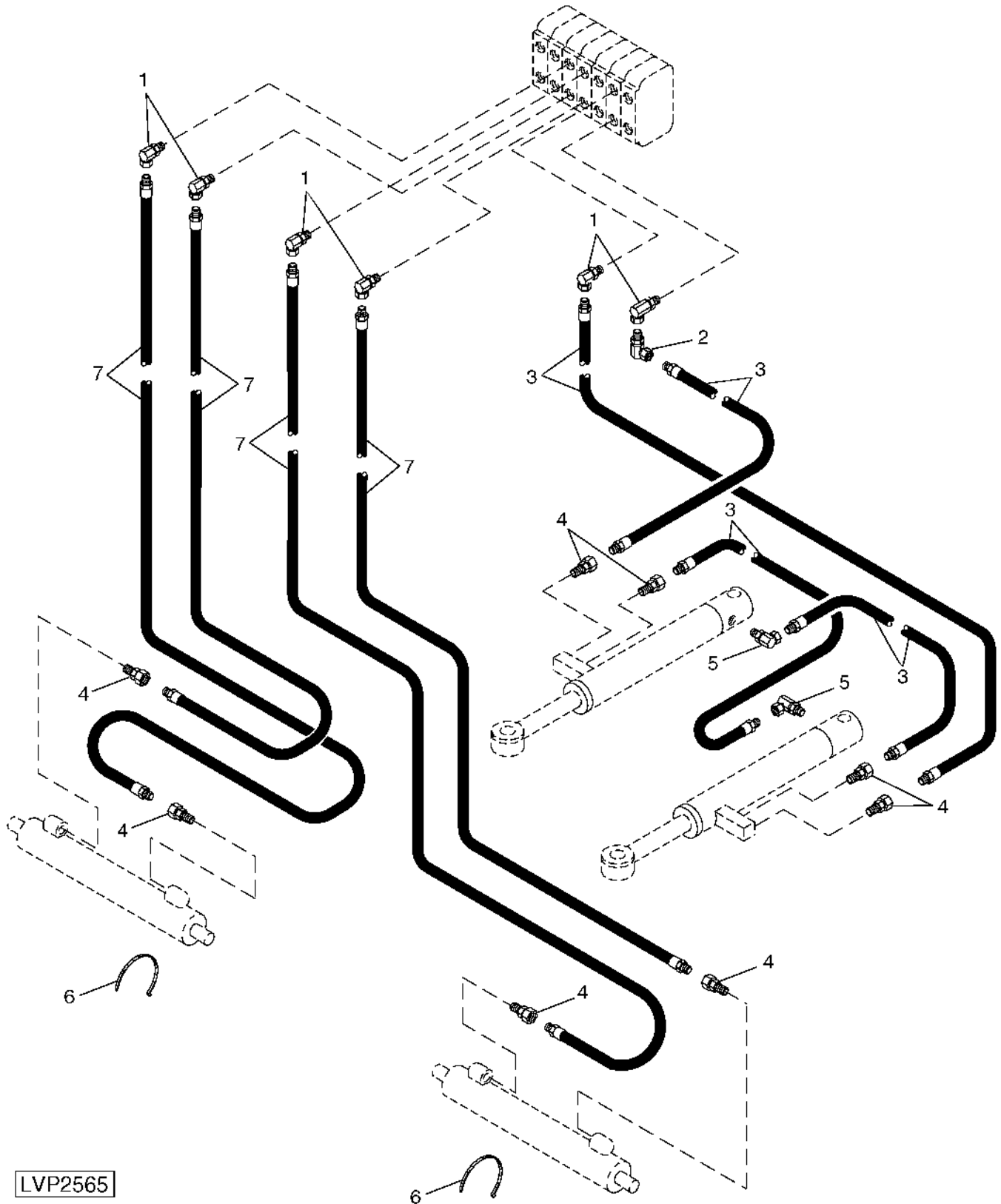


LVP2564

HYDRAULIC LINES (BUCKET/DIPPERSTICK/BOOM) (CONTINUED)

| KEY | PART NO. | PART NAME | QTY | SERIAL NO. | REMARKS |
|-----|----------|----------------------------|-----|------------|----------|
| 1 | C14618 | HYD. INTERNAL HALF COUPLER | 1 | | |
| 2 | M119074 | HYDRAULIC HOSE | 2 | | |
| 3 | C14619 | HYD. EXTERNAL HALF COUPLER | 1 | | |
| 4 | PT14373 | PLUG | 1 | | |
| 5 | M119076 | RING | 1 | | (YELLOW) |
| 6 | H77698 | TIE BAND | 5 | | |
| 7 | M119106 | HOSE SLEEVE - FABRICATE | 1 | | |
| 8 | AR44217 | CLAMP | 1 | | |
| 9 | LVU12263 | HOSE SLEEVE - FABRICATE | 1 | | 43" |
| 10 | AM123132 | ELBOW FITTING | 3 | | |
| 11 | PT14870 | ADAPTER | 3 | | |
| 12 | AU11752 | FITTING | 2 | | |
| 13 | JD139 | ADAPTER | 2 | | |
| 14 | LVA11317 | HOSE | 2 | | |
| 15 | H99923 | LOCK NUT | 1 | | 3/8" |
| 16 | PT10449 | STRAP | 1 | | |
| 17 | AH17169 | ADAPTER | 3 | | |
| 18 | M138063 | UNION FITTING | 2 | | |
| 19 | LVU12264 | HOSE SLEEVE - FABRICATE | 2 | | 23" |
| 20 | M73027 | TIE BAND | 1 | | |
| 21 | LVA10467 | UNION FITTING | 1 | | |
| 22 | M119105 | HOSE SLEEVE - FABRICATE | 1 | | 28" |
| 23 | LVA11318 | HOSE | 2 | | |
| 24 | PT14421 | HYDRAULIC HOSE | 1 | | |
| 25 | PT14422 | HYDRAULIC HOSE | 1 | | |

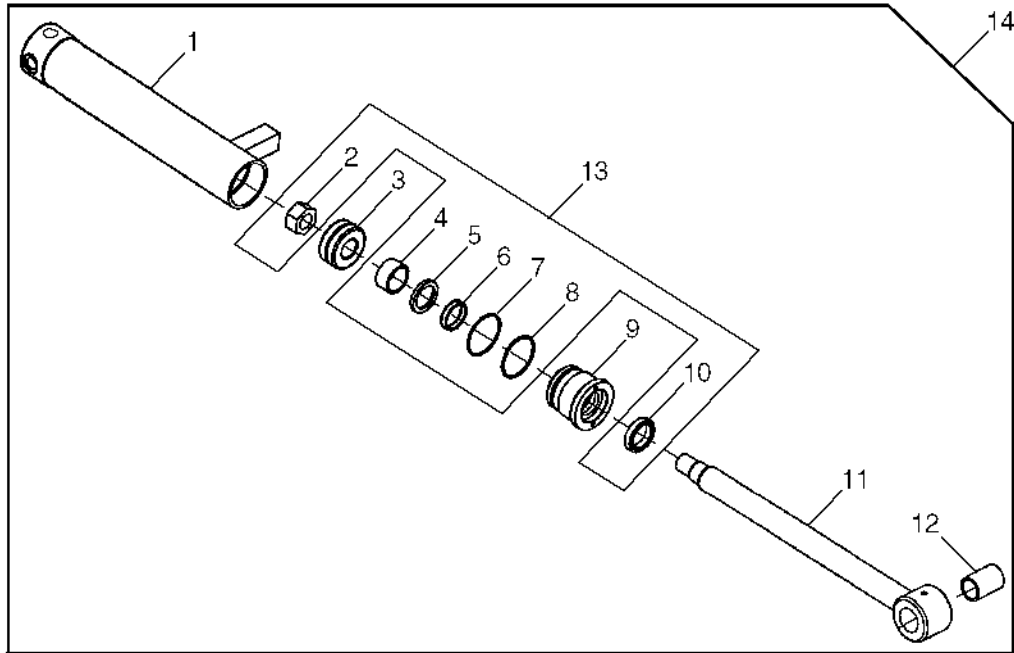
HYDRAULIC LINES (STABILIZER/SWING)
CONDUITES HYDRAULIQUES (SATILISATEUR/BRAS DE DEBATTEMENT)
HYDRAULIKSCHLAEUCE (STABILISATOR, SCHWINGARM)
LINEE IDRAULICHE (STABILIZZATORE/BRACCIO OSCILLANTE)
LINEAS HIDRAULICAS (ESTABILIZADORES/BRAZO OSCILANTE)
HYDRAULLEDNINGAR (STABILISATOR/SVAENGANORDNING)
LVP2565 -UN-16NOV00



HYDRAULIC LINES (STABILIZER/SWING) (CONTINUED)

| KEY | PART NO. | PART NAME | QTY | SERIAL NO. | REMARKS |
|-----|----------|----------------|-----|------------|---------|
| 1 | AM123132 | ELBOW FITTING | 6 | | |
| 2 | AP23054 | ELBOW FITTING | 1 | | |
| 3 | PT15271 | HYDRAULIC HOSE | 4 | | |
| 4 | AH17169 | ADAPTER | 8 | | |
| 5 | M138063 | UNION FITTING | 2 | | |
| 6 | M73027 | TIE BAND | 2 | | |
| 7 | M137977 | HOSE | 4 | | |

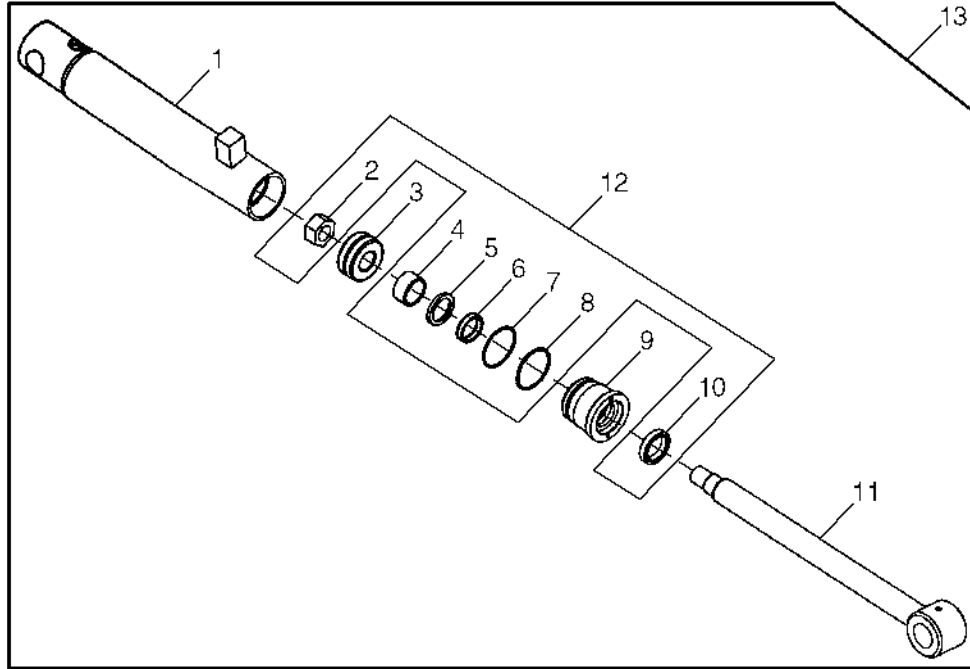
SWING CYLINDER
 VERIN DE BRAS DE DEBATTEMENT
 SCHWINGARMZYLINDER
 CILINDRO DEL BRACCIO OSCILLANTE
 CILINDRO BASCULANTE
 SVAENGANORDNINGENS CYLINDER
 LVP2567 -UN-21NOV00



LVP2567

| KEY | PART NO. | PART NAME | QTY | SERIAL NO. | REMARKS |
|-----|----------|--------------------|-----|-----------------------------|---------|
| 1 | LVA11352 | TUBE | 1 | | |
| 2 | PT10406 | LOCK NUT | 1 | (A) | |
| 3 | M138574 | PISTON | 1 | | |
| 4 | | WEAR RING | 1 | (A) | |
| 5 | | SEAL | 1 | (A) WIPER | |
| 6 | | SEAL | 1 | (A) U-CUP | |
| 7 | | O-RING | 1 | (A) | |
| 8 | | BACK-UP RING | 1 | (A) | |
| 9 | AM127936 | SEAL | 1 | ROD | |
| 10 | | SEAL | 1 | (A) WIPER | |
| 11 | LVU12342 | ROD | 1 | | |
| 12 | M138580 | BEARING | 1 | | |
| 13 | AM127938 | SEAL KIT | 1 | (INCLUDES PARTS MARKED (A)) | |
| 14 | LVA11306 | HYDRAULIC CYLINDER | 1 | | |

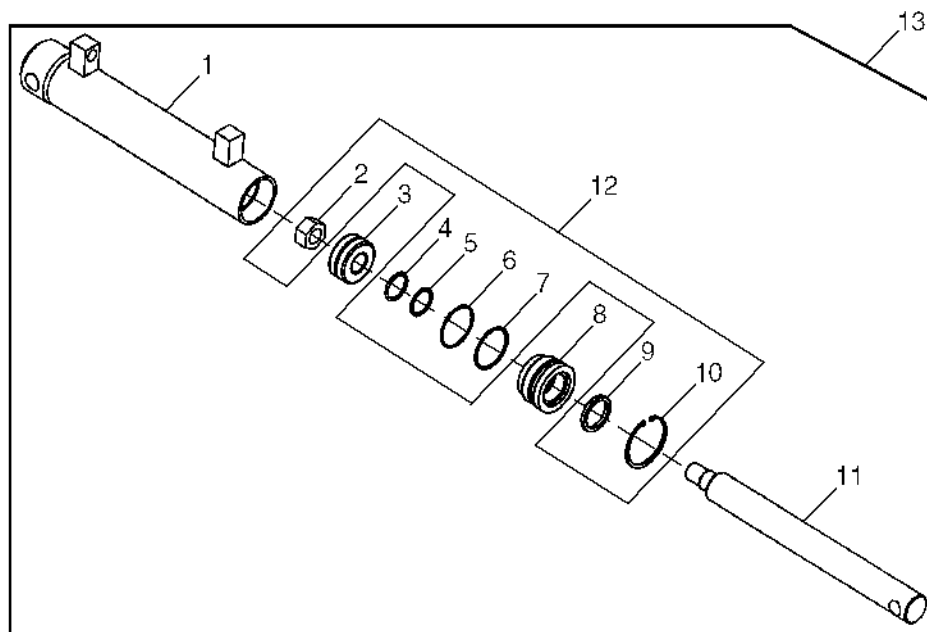
BUCKET CYLINDER
VERIN DU GODET
SCHAUFELZYLINDER
CILINDRO DELLA BENNA
CILINDRO DEL CUCHARON
SKOPCYLINDER
 LVP2568 -UN-21NOV00



LVP2568

| KEY | PART NO. | PART NAME | QTY | SERIAL NO. | REMARKS |
|-----|----------|--------------------|-----|-----------------------------|---------|
| 1 | LVA11353 | TUBE | 1 | | |
| 2 | PT14365 | LOCK NUT | 1 | (A) | |
| 3 | M138575 | PISTON | 1 | | |
| 4 | | WEAR RING | 1 | (A) | |
| 5 | | SEAL | 1 | (A) WIPER | |
| 6 | | SEAL | 1 | (A) U-CUP | |
| 7 | | O-RING | 1 | (A) | |
| 8 | | BACK-UP RING | 1 | (A) | |
| 9 | LVA11355 | SEAL | 1 | | |
| 10 | | SEAL | 1 | (A) WIPER | |
| 11 | LVU12343 | ROD | 1 | | |
| 12 | LVA11357 | SEAL KIT | 1 | (INCLUDES PARTS MARKED (A)) | |
| 13 | LVA11304 | HYDRAULIC CYLINDER | 1 | | |

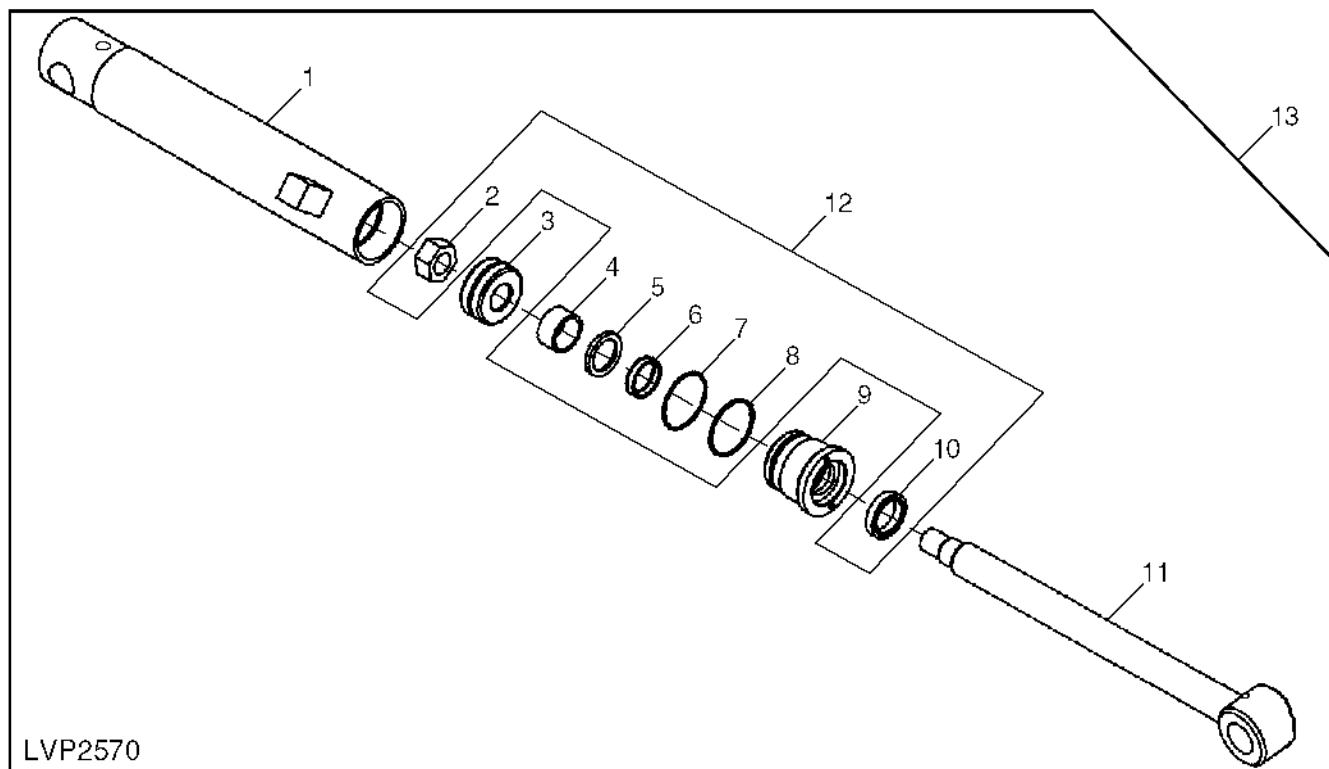
STABILIZER CYLINDER
VERIN DE STABILISATEUR
STABILISATORYLINDER
CILINDRO DELLO STABILIZZATORE
CILINDRO DEL ESTABILIZADOR
STABILISATORNS CYLINDER
 LVP2569 -UN-21NOV00



LVP2569

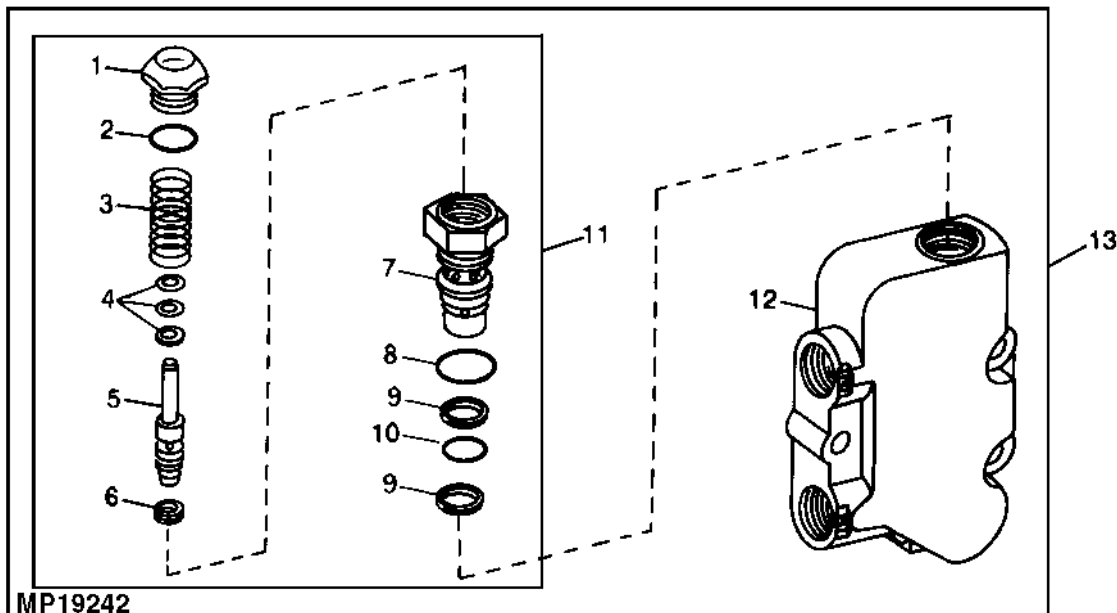
| KEY | PART NO. | PART NAME | QTY | SERIAL NO. | REMARKS |
|-----|----------|--------------------|-----|-----------------------------|---------|
| 1 | AM127931 | TUBE | 1 | | |
| 2 | PT10406 | LOCK NUT | 1 | (A) | |
| 3 | M138575 | PISTON | 1 | | |
| 4 | | O-RING | 1 | (A) | |
| 5 | | BACK-UP RING | 1 | (A) | |
| 6 | | O-RING | 1 | (A) | |
| 7 | | BACK-UP RING | 1 | (A) | |
| 8 | PT10486 | SEAL | 1 | | |
| 9 | | SEAL | 1 | (A) | |
| 10 | | SNAP RING | 1 | (A) | |
| 11 | M138576 | ROD | 1 | | |
| 12 | AM127937 | SEAL KIT | 1 | (INCLUDES PARTS MARKED (A)) | |
| 13 | AM127899 | HYDRAULIC CYLINDER | 1 | | |

BOOM AND DIPPERSTICK CYLINDER
VERIN DE LA FLECHE ET DES BRAS DU GODET
LADESCHWINGE UND LOEFFELBAGGER-ZYLINDER
CILINDRO DEL BRACCIO E DEL BILANCIERE
CILINDRO DEL AGUILON Y DEL BRAZO DEL AGUILON
BOM- OCH SKOPSTAGSCYLINDER
 LVP2570 -UN-21NOV00



| KEY | PART NO. | PART NAME | QTY | SERIAL NO. | REMARKS |
|-----|----------|--------------------|-----|-----------------------------|---------|
| 1 | LVA11354 | TUBE | 1 | | |
| 2 | PT14365 | LOCK NUT | 1 | (A) | |
| 3 | LVU12341 | PISTON | 1 | | |
| 4 | | WEAR RING | 1 | (A) | |
| 5 | | SEAL | 1 | (A) WIPER | |
| 6 | | SEAL | 1 | (A) U-CUP | |
| 7 | | O-RING | 1 | (A) | |
| 8 | | BACK-UP RING | 1 | (A) | |
| 9 | LVA11356 | SEAL | 1 | | |
| 10 | | SEAL | 1 | (A) WIPER | |
| 11 | LVU12344 | ROD | 1 | | |
| 12 | LVA11358 | SEAL KIT | 1 | (INCLUDES PARTS MARKED (A)) | |
| 13 | LVA11305 | HYDRAULIC CYLINDER | 1 | | |

MAIN RELIEF VALVE
SOUPAPE DE SECURITE PRINCIPALE
HAUPTSICHERHEITSVENTIL
VALVOLA DI SICUREZZA PRINCIPALE
VALVULA PRINCIPAL DE DESCARGA
SAEKERHETSVENTIL
 MP19242 -UN-31JUL98

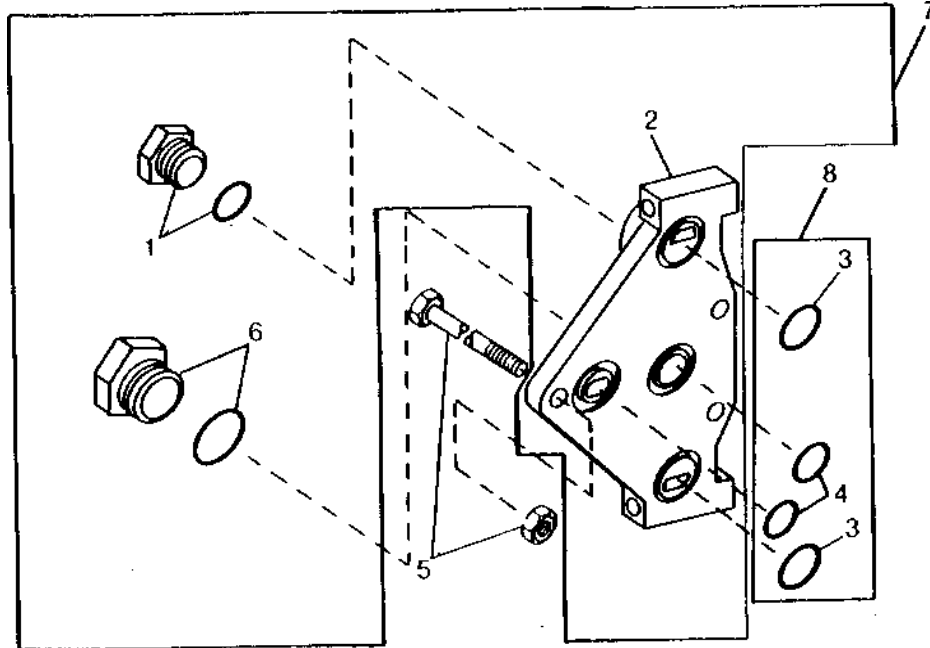


| KEY | PART NO. | PART NAME | QTY | SERIAL NO. | REMARKS |
|-----|----------|--------------|-----|-----------------------------|---------|
| 1 | | CAP | 1 | | |
| 2 | | SEAL | 1 | (A) | |
| 3 | | SPRING | 1 | | |
| 4 | | SHIM | AR | | |
| 5 | | POPPET | 1 | (A) | |
| 6 | | PISTON RING | 1 | (A) | |
| 7 | | HOUSING | 1 | | |
| 8 | | O-RING | 1 | (A) | |
| 9 | | WASHER | 1 | (A) | |
| 10 | | O-RING | 1 | (A) | |
| 11 | LVA11363 | RELIEF VALVE | 1 | | |
| 12 | | HOUSING | 1 | | |
| 13 | LVA11364 | RELIEF VALVE | 1 | | |
| .. | PT8131 | SEAL KIT | 1 | (INCLUDES PARTS MARKED (A)) | |

F10

49 BACKHOE

END PLATE (RH)
 PLAQUE D'EXTREMITE (RH)
 ENDPLATTE (RH)
 PIASTRA DI FONDO (RH)
 PLACAS DE EXTREMO (RH)
 GAVEL (RH)
 MP13326 -UN-01JAN94

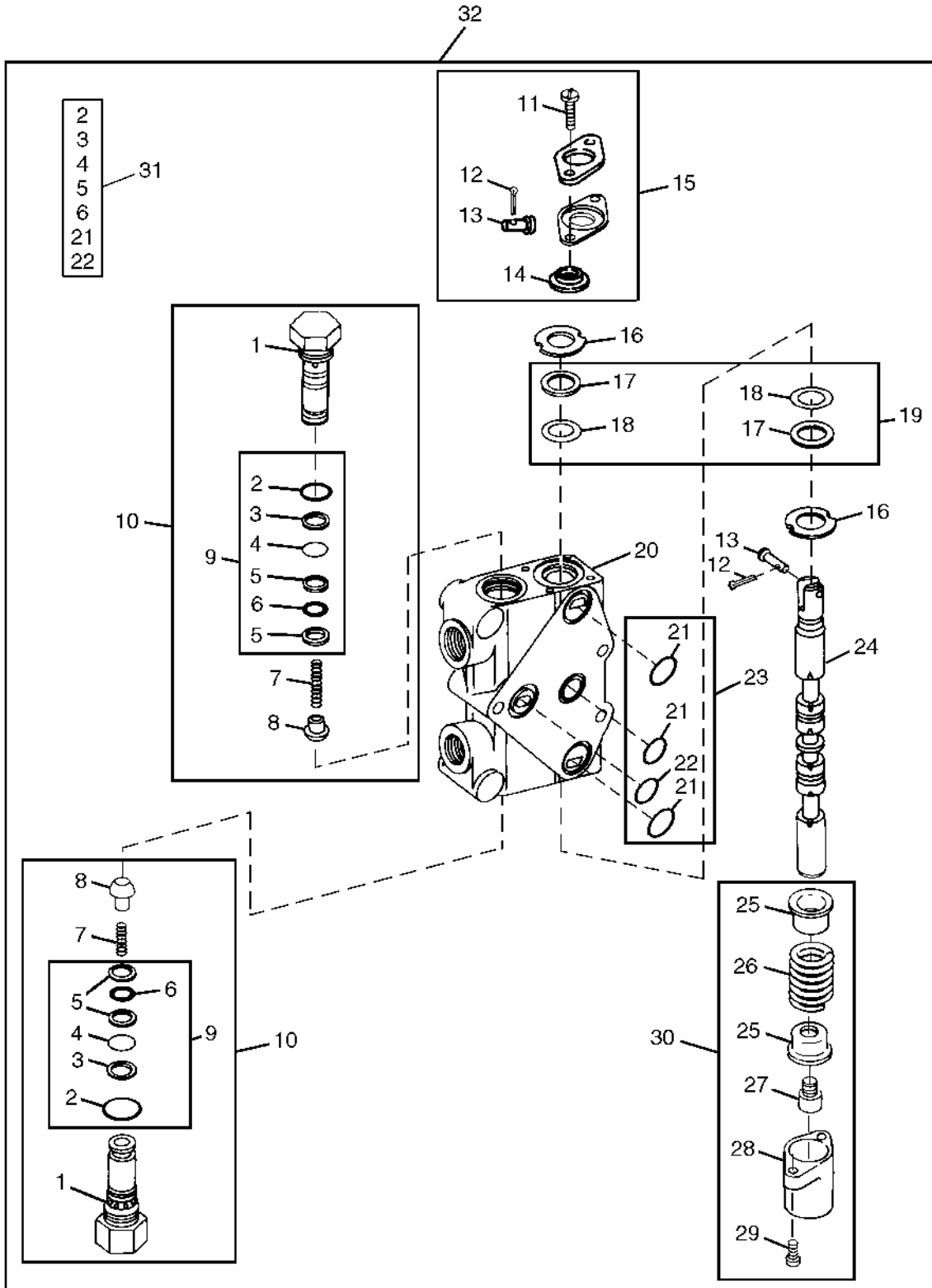


MP13326

| KEY | PART NO. | PART NAME | QTY | SERIAL NO. | REMARKS |
|-----|----------|-------------|-----|--------------|-----------------------------|
| 1 | | PLUG | 1 | | |
| 2 | | HOUSING | 1 | | |
| 3 | | SEAL | 2 | (A) EXHAUST | |
| 4 | | SEAL | 2 | (A) PRESSURE | |
| 5 | PT8130 | KIT | 1 | | TIE ROD (3 RODS PER KIT) |
| 6 | PT14370 | PLUG | 1 | | |
| 7 | PT8138 | VALVE COVER | 1 | | |
| 8 | AM117715 | SEAL KIT | 1 | | (INCLUDES PARTS MARKED (A)) |

F11

VALVE SECTION (STABILIZER)
 SECTION VALVES (STABILISATEUR)
 VENTILSEKTION (STABILISATOR)
 BLOCCO VALVOLE (STABILIZZATORE)
 SECCION DE VALVULA (ESTABILIZADOR)
 VENTILSEKTION (STABILISATOR)
 LVP2576 -UN-04DEC00



LVP2576

F12

49 BACKHOE

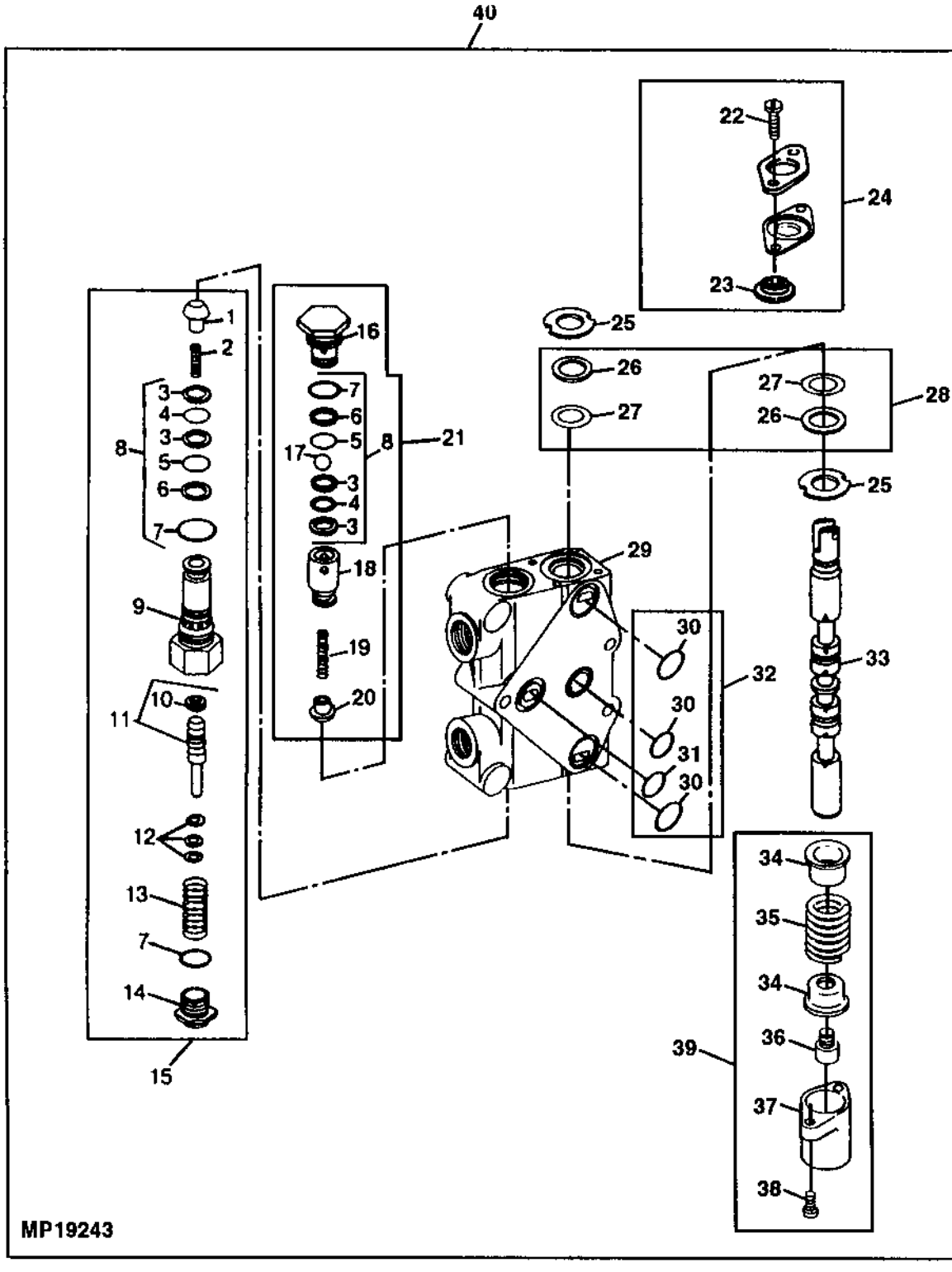
VALVE SECTION (STABILIZER) (CONTINUED)

| KEY | PART NO. | PART NAME | QTY | SERIAL NO. | REMARKS |
|-----|----------|----------------|-----|---------------|-----------------------------|
| 1 | | PLUG | 2 | | |
| 2 | Z29304 | O-RING | 2 | (A) | |
| 3 | T35985 | BACK-UP RING | 2 | (A) | |
| 4 | W19903 | O-RING | 2 | (A) | |
| 5 | T35984 | BACK-UP RING | 4 | (A) | |
| 6 | H63283 | O-RING | 2 | (A) | |
| 7 | T36012 | SPRING | 2 | | |
| 8 | U13616 | POPPET | 2 | | |
| 9 | PT8139 | SEAL KIT | 1 | | |
| 10 | PT8137 | RELIEF VALVE | 2 | | |
| 11 | 21H1305 | SCREW | 2 | 1/4" X 1" | |
| 12 | 11M7081 | COTTER PIN | 1 | 2.500 X 20 MM | |
| 13 | T35986 | PIN | 1 | | |
| 14 | T126105 | SEAL | 1 | | |
| 15 | AT135683 | RETAINER | 1 | | SPOOL SEAL |
| 16 | T104786 | WASHER | 2 | | |
| 17 | T104785 | BACK-UP RING | 2 | (B) | |
| 18 | T57246 | O-RING | 2 | (B) | |
| 19 | AM120974 | SEAL KIT | 1 | | (INCLUDES PARTS MARKED (B)) |
| 20 | | HOUSING | 1 | | |
| 21 | | O-RING | 1 | (A) (C) | |
| 22 | | O-RING | 1 | (A) (C) | |
| 23 | AM117715 | SEAL KIT | 1 | | (INCLUDES PARTS MARKED (C)) |
| 24 | | SPOOL | 1 | | |
| 25 | T104788 | LOCKING COLLAR | 2 | | |
| 26 | T107593 | SPRING | 1 | | |
| 27 | T104789 | VALVE SPOOL | 1 | | |
| 28 | T104787 | CAP | 1 | | |
| 29 | T106306 | SCREW | 1 | | |
| 30 | PT14445 | KIT | 1 | | SPRING AND CAP |
| 31 | PT8140 | SEAL KIT | 1 | | (INCLUDES PARTS MARKED (A)) |
| 32 | PT8129 | SECTION | 1 | | STABILIZER |

F13

49 BACKHOE

VALVE SECTION (BOOM AND DIPPERSTICK)
SECTION VALVES (FLECHE ET BRAS DU GODET)
VENTILSEKTION (LADESWINGE UND LOEFFELBAGGERSTANGE)
BLOCCO VALVOLE (BRACCIO E BILANCIERE)
SECCION DE VALVULA (AGUILON Y BRAZO DEL CUCHARON)
VENTILSEKTION (BOM OCH SKOPSTAG)
MP19243 -UN-20AUG98



F14

49 BACKHOE

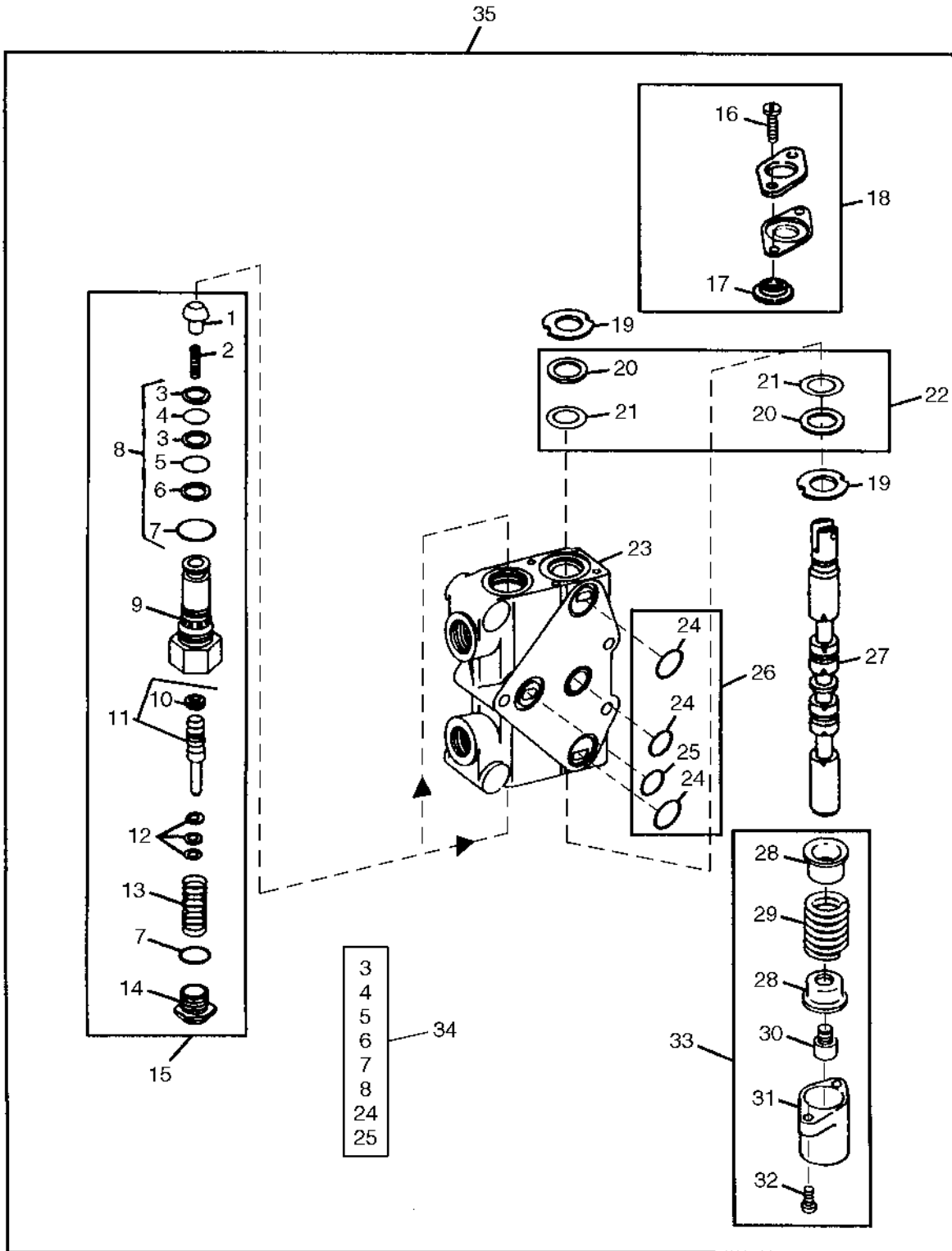
VALVE SECTION (BOOM AND DIPPERSTICK) (CONTINUED)

| KEY | PART NO. | PART NAME | QTY | SERIAL NO. | REMARKS |
|-----|----------|--------------|-----|------------|--|
| 1 | | CAP | 1 | | |
| 2 | | SPRING | 1 | | |
| 3 | | WASHER | 4 | (A) | |
| 4 | | O-RING | 2 | (A) | |
| 5 | | O-RING | 4 | (A) | |
| 6 | | WASHER | 2 | (A) | |
| 7 | | O-RING | 2 | (A) | |
| 8 | PT8139 | SEAL KIT | 2 | (A) | |
| 9 | | HOUSING | 1 | | |
| 10 | | PISTON RING | 1 | | |
| 11 | PT8133 | SEAL KIT | 1 | | RELIEF VALVE |
| 12 | | SHIM | AR | | |
| 13 | | SPRING | 1 | | |
| 14 | | CAP | 1 | | |
| 15 | PT10413 | RELIEF VALVE | 1 | | 2500 PSI (ON DIPPERSTICK VALVE LOCATED IN TOP PORT) |
| 16 | | HOUSING | 1 | | |
| 17 | | BALL | 1 | | |
| 18 | | RETAINER | 1 | | |
| 19 | | SPRING | 1 | | |
| 20 | | CAP | 1 | | |
| 21 | PT8136 | VALVE | 1 | | ANTI-CAVITATION (ON DIPPERSTICK VALVE LOCATED IN BOTTOM PORT) 0.216" X 5/8" |
| 22 | T11506 | SCREW | 2 | | |
| 23 | T126105 | SEAL | 1 | | |
| 24 | AT135683 | RETAINER | 1 | | |
| 25 | T104786 | WASHER | 2 | | |
| 26 | T104785 | BACK-UP RING | 2 | | |
| 27 | T57246 | O-RING | 2 | | |
| 28 | AM120974 | SEAL KIT | 1 | | |
| 29 | | HOUSING | 1 | | |
| 30 | | O-RING | 3 | (A) | |
| 31 | | O-RING | 1 | (A) | |
| 32 | AM117715 | SEAL KIT | 1 | | |
| 33 | | SPOOL | 1 | | |
| 34 | T104788 | BUSHING | 2 | | |
| 35 | T107593 | SPRING | 1 | | |
| 36 | T104789 | VALVE SPOOL | 1 | | |
| 37 | T104787 | CAP | 1 | | |
| 38 | T106306 | SCREW | 2 | | |
| 39 | PT14445 | KIT | 1 | | SPRING AND CAP |
| 40 | AM127941 | SPOOL VALVE | 1 | | BOOM |
| | AM127942 | SPOOL VALVE | 1 | | DIPPERSTICK |
| .. | PT8140 | SEAL KIT | 1 | | (BOOM AND DIPPERSTICK SECTIONS) (INCLUDES PARTS MARKED (A)) |

F15

49 BACKHOE

VALVE SECTION (SWING)
SECTION VALVES (DE BRAS DE DEBATTEMENT)
VENTILSEKTION (SCHWINGE)
BLOCCO VALVOLE (DEL BRACCIO OSCILLANTE)
SECCION DE VALVULA (BASCULANTE)
VENTILSEKTION (SVAENGANORDNINGENS)
LVP2577 -UN-04DEC00



LVP2577

F16

49 BACKHOE

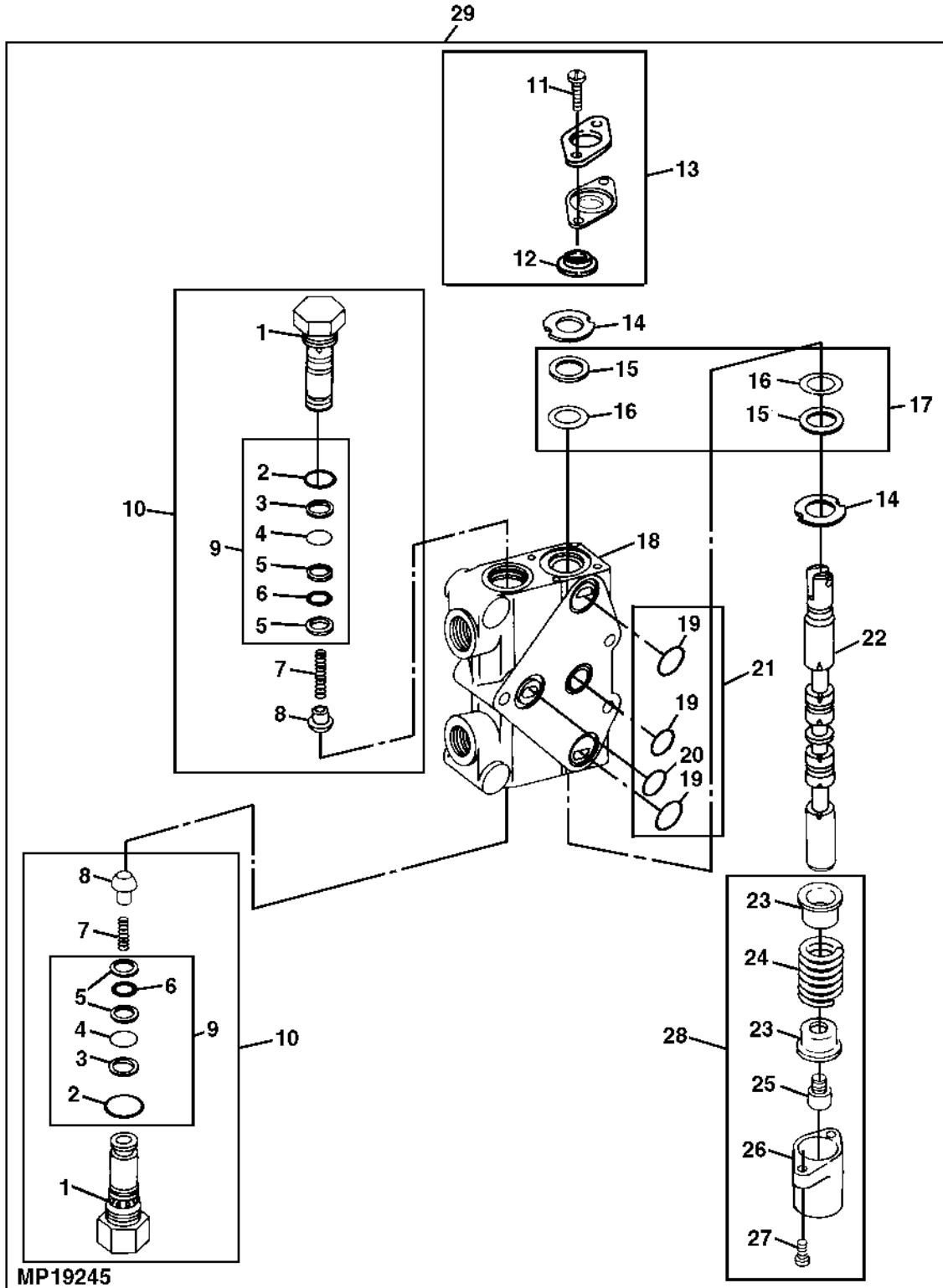
VALVE SECTION (SWING) (CONTINUED)

| KEY | PART NO. | PART NAME | QTY | SERIAL NO. | REMARKS |
|-----|----------|--------------|-----|------------|------------------------------------|
| 1 | | CAP | 2 | | |
| 2 | | SPRING | 2 | | |
| 3 | | WASHER | 4 | (A) | |
| 4 | | O-RING | 2 | (A) | |
| 5 | | O-RING | 4 | (A) | |
| 6 | | WASHER | 2 | (A) | |
| 7 | | O-RING | 2 | (A) | |
| 8 | PT8139 | SEAL KIT | 2 | (A) | |
| 9 | | HOUSING | 2 | | |
| 10 | | PISTON RING | 2 | | |
| 11 | PT8133 | SEAL KIT | 2 | | RELIEF VALVE |
| 12 | | SHIM | AR | | |
| 13 | | SPRING | 2 | | |
| 14 | | CAP | 2 | | |
| 15 | PT10413 | RELIEF VALVE | 2 | | 2500 PSI (IN TOP AND BOTTOM PORTS) |
| 16 | T11506 | SCREW | 2 | | 0.216" X 5/8" |
| 17 | T126105 | SEAL | 1 | | |
| 18 | AT135683 | RETAINER | 1 | | |
| 19 | T104786 | WASHER | 2 | | |
| 20 | T104785 | BACK-UP RING | 2 | | |
| 21 | T57246 | O-RING | 2 | | |
| 22 | AM120974 | SEAL KIT | 1 | | |
| 23 | | HOUSING | 1 | | |
| 24 | | O-RING | 3 | (A) | |
| 25 | | O-RING | 1 | (A) | |
| 26 | AM117715 | SEAL KIT | 1 | | |
| 27 | | SPOOL | 1 | | |
| 28 | T104788 | BUSHING | 2 | | |
| 29 | T107593 | SPRING | 1 | | |
| 30 | T104789 | VALVE SPOOL | 1 | | |
| 31 | T104787 | CAP | 1 | | |
| 32 | T106306 | SCREW | 2 | | |
| 33 | PT14445 | KIT | 1 | | SPRING AND CAP |
| 34 | PT8140 | SEAL KIT | 1 | | (INCLUDES PARTS MARKED (A)) |
| 35 | LVA11365 | SECTION | 1 | | SWING |

F17

49 BACKHOE

VALVE SECTION (BUCKET)
SECTION VALVES (DU GODET)
VENTILSEKTION (SCHAUFEL)
BLOCCO VALVOLE (DELLA BENNA)
SECCION DE VALVULA (DEL CUCHARON)
VENTILSEKTION (SKOPA)
MP19245 -UN-06AUG98



F18

49 BACKHOE

VALVE SECTION (BUCKET) (CONTINUED)

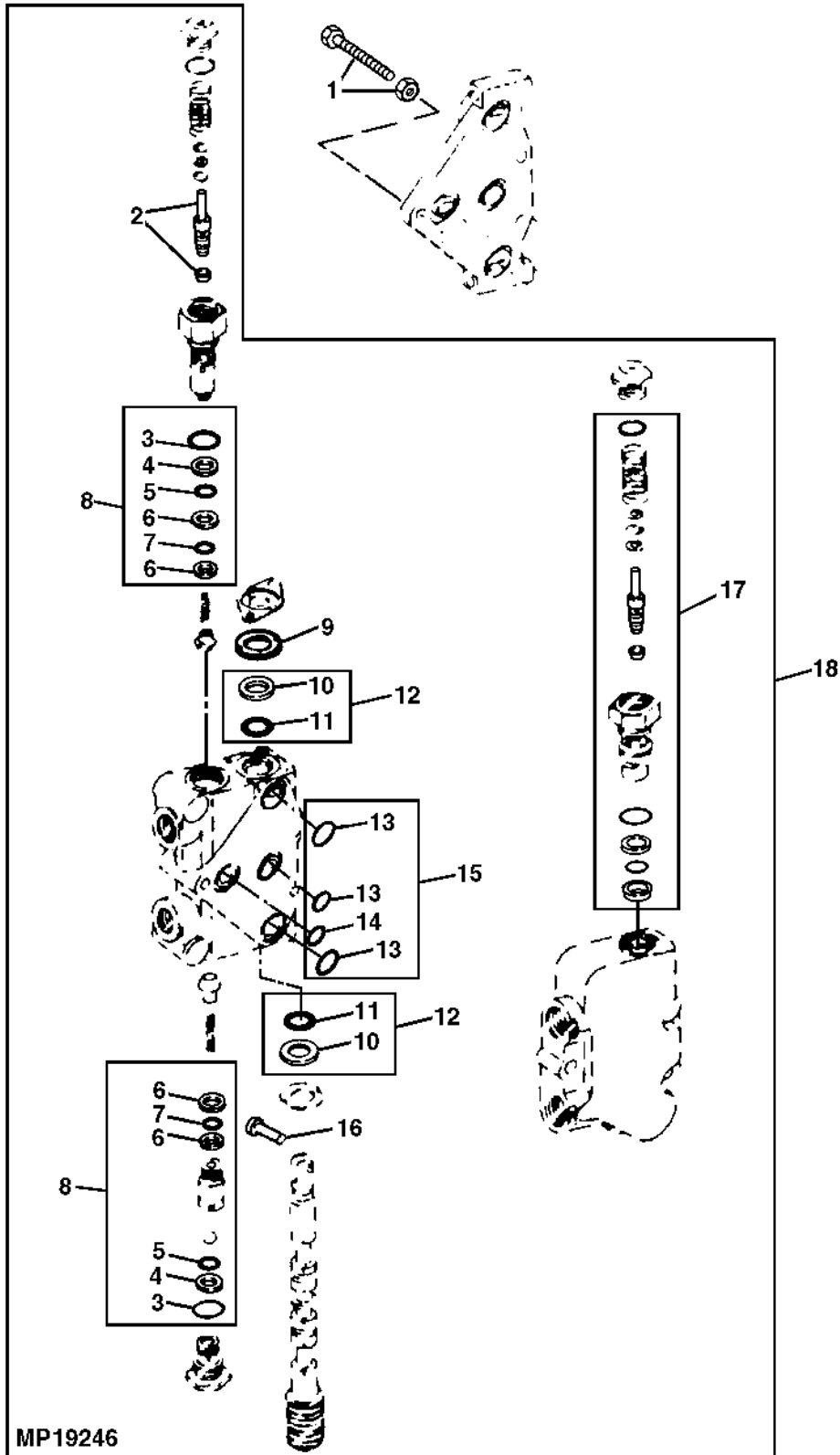
| KEY | PART NO. | PART NAME | QTY | SERIAL NO. | REMARKS |
|-----|----------|----------------|-----|----------------|---------|
| 1 | | PLUG | 2 | | |
| 2 | Z29304 | O-RING | 2 | (A) | |
| 3 | T35985 | BACK-UP RING | 2 | (A) | |
| 4 | W19903 | O-RING | 2 | (A) | |
| 5 | T35984 | BACK-UP RING | 4 | (A) | |
| 6 | H63283 | O-RING | 2 | (A) | |
| 7 | T36012 | SPRING | 2 | | |
| 8 | U13616 | POPPET | 2 | | |
| 9 | PT8139 | SEAL KIT | 1 | | |
| 10 | PT8137 | RELIEF VALVE | 2 | | |
| 11 | 21H1305 | SCREW | 2 | 1/4" X 1" | |
| 12 | T126105 | SEAL | 1 | | |
| 13 | AT135683 | RETAINER | 1 | SPOOL SEAL | |
| 14 | T104786 | WASHER | 2 | | |
| 15 | T104785 | BACK-UP RING | 2 | | |
| 16 | T57246 | O-RING | 2 | | |
| 17 | AM120974 | SEAL KIT | 1 | | |
| 18 | | HOUSING | 1 | | |
| 19 | | O-RING | 1 | (A) | |
| 20 | | O-RING | 1 | (A) | |
| 21 | AM117715 | SEAL KIT | 1 | | |
| 22 | | SPOOL | 1 | | |
| 23 | T104788 | LOCKING COLLAR | 2 | | |
| 24 | T107593 | SPRING | 1 | | |
| 25 | T104789 | VALVE SPOOL | 1 | | |
| 26 | T104787 | CAP | 1 | | |
| 27 | T106306 | SCREW | 2 | | |
| 28 | PT14445 | KIT | 1 | SPRING AND CAP | |
| 29 | AM127943 | SECTION | 1 | | |

F19

49 BACKHOE

VALVE SEAL KIT (FOR ALL VALVE SECTIONS)
JOINT DE VALVE (POUR TOUTES LES SECTIONS VALVES)
VENTILDICHTUNGS-KIT (FUER ALLE VENTILSEKTIONEN)
KIT TENUTA VALVOLE (PER TUTTII BLOCCHI VALVOLE)
JUEGO DE JUNTA DE VALVULA (PARA TODAS LAS SECCIONES DE VALVULA)
VENTILTAETNINGSSATS (FOER ALLA VENTILSEKTIONER)

MP19246 -UN-06AUG98



F20

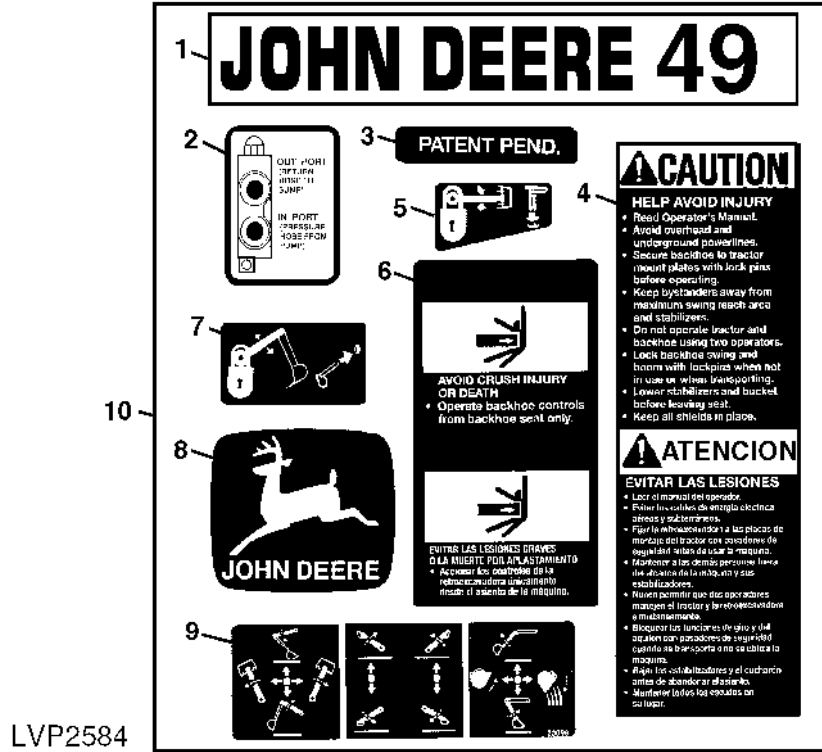
49 BACKHOE

VALVE SEAL KIT (FOR ALL VALVE SECTIONS) (CONTINUED)

| KEY | PART NO. | PART NAME | QTY | SERIAL NO. | REMARKS |
|-----|----------|--------------|-----|------------|---|
| 1 | PT8130 | KIT | 3 | | END PLATE |
| 2 | PT8133 | SEAL KIT | 2 | | RELIEF VALVE (DIPPERSTICK AND BOOM VALVE SECTIONS) (ON BOOM LOCATED IN BOTTOM PORT) |
| 3 | Z29304 | O-RING | 2 | (A) | |
| 4 | T35985 | BACK-UP RING | 2 | (A) | |
| 5 | W19903 | O-RING | 2 | (A) | |
| 6 | T35984 | BACK-UP RING | 4 | (A) | |
| 7 | H63283 | O-RING | 2 | (A) | |
| 8 | PT8139 | SEAL KIT | 6 | (A) | |
| 9 | T104786 | WASHER | 2 | | |
| 10 | T104785 | BACK-UP RING | 12 | | |
| 11 | T57246 | O-RING | 12 | | |
| 12 | AM120974 | SEAL KIT | 6 | | |
| 13 | | SEAL | 3 | (A) | EXHAUST |
| 14 | | SEAL | 1 | (A) | PRESSURE |
| 15 | AM117715 | SEAL KIT | 6 | (A) | |
| 16 | PT8159 | PIN | 1 | | |
| 17 | PT8131 | SEAL KIT | 1 | | MAIN RELIEF VALVE |
| 18 | PT8132 | SEAL KIT | 1 | | |
| .. | PT8140 | SEAL KIT | 1 | | (INCLUDES PARTS MARKED (A)) |

LABELS
ADHESIFS
AUFKLEBER
ETICHETTE
ETIQUETAS
ETIKETTER
LVP2584

-UN-04JAN01



LVP2584

| KEY | PART NO. | PART NAME | QTY | SERIAL NO. | REMARKS |
|-----|----------|-----------|-----|------------|----------------|
| 1 | LVU12269 | LABEL | 2 | | MODEL ID (49) |
| 2 | | LABEL | 1 | | INLET/OUTLET |
| 3 | M139062 | LABEL | 1 | | PATENT PENDING |
| 4 | LVU12266 | LABEL | 2 | | CAUTION |
| 5 | M121869 | LABEL | 1 | | SWING LOCK |
| 6 | LVU12267 | LABEL | 2 | | WARNING |
| 7 | M121870 | LABEL | 1 | | BOOM LOCK |
| 8 | LVU12268 | LABEL | 1 | | LEAPING DEER |
| 9 | | LABEL | 1 | | CONTROLS |
| 10 | | LABEL KIT | 1 | | MODEL 49 |

NUMERICAL INDEX

| PART NO. | GRID | KEY | PAGE | PART NO. | GRID | KEY | PAGE | PART NO. | GRID | KEY | PAGE |
|----------|------|-----|---------|----------|------|-----|---------|----------|------|-----|---------|
| AA21292 | B8 | 4 | 20 - 17 | AM127683 | B2 | 8 | 20 - 11 | AM127931 | E2 | 1 | 30 - 46 |
| AA21292 | D4 | 4 | 30 - 23 | AM127683 | C25 | 8 | 30 - 19 | AM127931 | F7 | 1 | 40 - 22 |
| AA21292 | D6 | 4 | 30 - 25 | AM127703 | C9 | 23 | 30 - 3 | AM127932 | E1 | 1 | 30 - 45 |
| AH17169 | B10 | 14 | 20 - 19 | AM127705 | C21 | 8 | 30 - 15 | AM127933 | E3 | 1 | 30 - 47 |
| AH17169 | B12 | 6 | 20 - 21 | AM127706 | C19 | 3 | 30 - 13 | AM127934 | D25 | 1 | 30 - 44 |
| AH17169 | D8 | 13 | 30 - 27 | AM127707 | C9 | 4 | 30 - 3 | AM127936 | D25 | 9 | 30 - 44 |
| AH17169 | D10 | 6 | 30 - 29 | AM127708 | C23 | 12 | 30 - 17 | AM127936 | E1 | 9 | 30 - 45 |
| AH17169 | F2 | 17 | 40 - 17 | AM127709 | C9 | 10 | 30 - 3 | AM127936 | F5 | 9 | 40 - 20 |
| AH17169 | F4 | 4 | 40 - 19 | AM127710 | C9 | 18 | 30 - 3 | AM127937 | E2 | .. | 30 - 46 |
| AM105466 | C3 | 1 | 20 - 37 | AM127712 | C23 | 13 | 30 - 17 | AM127937 | F7 | 12 | 40 - 22 |
| AM117715 | B14 | 8 | 20 - 23 | AM127713 | C25 | 6 | 30 - 19 | AM127938 | D25 | .. | 30 - 44 |
| AM117715 | B16 | 23 | 20 - 25 | AM127731 | B2 | 6 | 20 - 11 | AM127938 | E1 | .. | 30 - 45 |
| AM117715 | B18 | 32 | 20 - 27 | AM127732 | B6 | 18 | 20 - 15 | AM127938 | F5 | 13 | 40 - 20 |
| AM117715 | B20 | 21 | 20 - 29 | AM127736 | A18 | 22 | 20 - 3 | AM127939 | D15 | 11 | 30 - 34 |
| AM117715 | B22 | 15 | 20 - 31 | AM127736 | C9 | 19 | 30 - 3 | AM127940 | D15 | 13 | 30 - 34 |
| AM117715 | D16 | 8 | 30 - 35 | AM127737 | C13 | 2 | 30 - 7 | AM127941 | B18 | 40 | 20 - 27 |
| AM117715 | D18 | 23 | 30 - 37 | AM127737 | C15 | 6 | 30 - 9 | AM127941 | D20 | 40 | 30 - 39 |
| AM117715 | D20 | 32 | 30 - 39 | AM127737 | E22 | 2 | 40 - 13 | AM127941 | F14 | 40 | 40 - 29 |
| AM117715 | D22 | 21 | 30 - 41 | AM127738 | B2 | 21 | 20 - 11 | AM127942 | B18 | 40 | 20 - 27 |
| AM117715 | D24 | 15 | 30 - 43 | AM127738 | C25 | 21 | 30 - 19 | AM127942 | D20 | 40 | 30 - 39 |
| AM117715 | F10 | 8 | 40 - 25 | AM127739 | B2 | 22 | 20 - 11 | AM127942 | F14 | 40 | 40 - 29 |
| AM117715 | F12 | 23 | 40 - 27 | AM127739 | C25 | 22 | 30 - 19 | AM127943 | B20 | 29 | 20 - 29 |
| AM117715 | F14 | 32 | 40 - 29 | AM127740 | B2 | 1 | 20 - 11 | AM127943 | D22 | 29 | 30 - 41 |
| AM117715 | F16 | 26 | 40 - 31 | AM127740 | B4 | 37 | 20 - 13 | AM127943 | F18 | 29 | 40 - 33 |
| AM117715 | F18 | 21 | 40 - 33 | AM127740 | C25 | 1 | 30 - 19 | AM127975 | A22 | 23 | 20 - 7 |
| AM117715 | F20 | 15 | 40 - 35 | AM127740 | D2 | 37 | 30 - 21 | AM128036 | B6 | 6 | 20 - 15 |
| AM118978 | E24 | 8 | 40 - 15 | AM127740 | E20 | 37 | 40 - 11 | AM128036 | C11 | 9 | 30 - 5 |
| AM118979 | E24 | 9 | 40 - 15 | AM127741 | B8 | 1 | 20 - 17 | AM128037 | B6 | 2 | 20 - 15 |
| AM120556 | C4 | 4 | 20 - 38 | AM127741 | D4 | 1 | 30 - 23 | AM128037 | C11 | 2 | 30 - 5 |
| AM120557 | C4 | 5 | 20 - 38 | AM127741 | D6 | 1 | 30 - 25 | AM128038 | B8 | 3 | 20 - 17 |
| AM120558 | D12 | 3 | 30 - 31 | AM127742 | C13 | 12 | 30 - 7 | AM128038 | D4 | 3 | 30 - 23 |
| AM120558 | D14 | 3 | 30 - 33 | AM127743 | C11 | 12 | 30 - 5 | AM128038 | D6 | 3 | 30 - 25 |
| AM120559 | D12 | 6 | 30 - 31 | AM127775 | C13 | 9 | 30 - 7 | AM128039 | A22 | 18 | 20 - 7 |
| AM120559 | D14 | 16 | 30 - 33 | AM127899 | E2 | 12 | 30 - 46 | AM128067 | B12 | 4 | 20 - 21 |
| AM120955 | E16 | 31 | 40 - 7 | AM127899 | F7 | 13 | 40 - 22 | AM128068 | B12 | 2 | 20 - 21 |
| AM120974 | B16 | 19 | 20 - 25 | AM127900 | E1 | 12 | 30 - 45 | AM128192 | C5 | 10 | 20 - 39 |
| AM120974 | B18 | 28 | 20 - 27 | AM127901 | E3 | 12 | 30 - 47 | AM128193 | E8 | 10 | 30 - 52 |
| AM120974 | B20 | 17 | 20 - 29 | AM127902 | C9 | 7 | 30 - 3 | AM130616 | D12 | 8 | 30 - 31 |
| AM120974 | B22 | 12 | 20 - 31 | AM127902 | D25 | 13 | 30 - 44 | AM130616 | D12 | 9 | 30 - 31 |
| AM120974 | D18 | 19 | 30 - 37 | AM127903 | B2 | 27 | 20 - 11 | AM130616 | D14 | .. | 30 - 33 |
| AM120974 | D20 | 28 | 30 - 39 | AM127904 | C25 | 27 | 30 - 19 | AM36221 | B25 | .. | 20 - 34 |
| AM120974 | D22 | 17 | 30 - 41 | AM127906 | C3 | 8 | 20 - 37 | AP23054 | D10 | 3 | 30 - 29 |
| AM120974 | D24 | 12 | 30 - 43 | AM127906 | D14 | 17 | 30 - 33 | AP23054 | F4 | 2 | 40 - 19 |
| AM120974 | F12 | 19 | 40 - 27 | AM127906 | E5 | 8 | 30 - 49 | AR40418 | E16 | 25 | 40 - 7 |
| AM120974 | F14 | 28 | 40 - 29 | AM127907 | C3 | 2 | 20 - 37 | AR44217 | F2 | 8 | 40 - 17 |
| AM120974 | F16 | 22 | 40 - 31 | AM127907 | E5 | 2 | 30 - 49 | AR60372 | C17 | 13 | 30 - 11 |
| AM120974 | F18 | 17 | 40 - 33 | AM127908 | C3 | 4 | 20 - 37 | AR60372 | E24 | 4 | 40 - 15 |
| AM120974 | F20 | 12 | 40 - 35 | AM127908 | E5 | 4 | 30 - 49 | AR94522 | C3 | 9 | 20 - 37 |
| AM120982 | B13 | 11 | 20 - 22 | AM127912 | D12 | 9 | 30 - 31 | AR94522 | E5 | 9 | 30 - 49 |
| AM120983 | B13 | 13 | 20 - 22 | AM127913 | D12 | 8 | 30 - 31 | AT135683 | B16 | 15 | 20 - 25 |
| AM123132 | B10 | 8 | 20 - 19 | AM127914 | B23 | 3 | 20 - 32 | AT135683 | B18 | 24 | 20 - 27 |
| AM123132 | B12 | 1 | 20 - 21 | AM127916 | B23 | 1 | 20 - 32 | AT135683 | B20 | 13 | 20 - 29 |
| AM123132 | D8 | 4 | 30 - 27 | AM127917 | B24 | 1 | 20 - 33 | AT135683 | D18 | 15 | 30 - 37 |
| AM123132 | D10 | 1 | 30 - 29 | AM127918 | B25 | 1 | 20 - 34 | AT135683 | D20 | 24 | 30 - 39 |
| AM123132 | F2 | 10 | 40 - 17 | AM127919 | C1 | 1 | 20 - 35 | AT135683 | D22 | 13 | 30 - 41 |
| AM123132 | F4 | 1 | 40 - 19 | AM127920 | B23 | 13 | 20 - 32 | AT135683 | F12 | 15 | 40 - 27 |
| AM127640 | B23 | 15 | 20 - 32 | AM127921 | B24 | 10 | 20 - 33 | AT135683 | F14 | 24 | 40 - 29 |
| AM127642 | B24 | 11 | 20 - 33 | AM127922 | B25 | 14 | 20 - 34 | AT135683 | F16 | 18 | 40 - 31 |
| AM127643 | B25 | 15 | 20 - 34 | AM127923 | C1 | 11 | 20 - 35 | AT135683 | F18 | 13 | 40 - 33 |
| AM127645 | C1 | 12 | 20 - 35 | AM127925 | B23 | 8 | 20 - 32 | AT49297 | B2 | 12 | 20 - 11 |
| AM127665 | A18 | 19 | 20 - 3 | AM127926 | B24 | 7 | 20 - 33 | AT49297 | B4 | 18 | 20 - 13 |
| AM127666 | A22 | 8 | 20 - 7 | AM127927 | C1 | 9 | 20 - 35 | AT49297 | C25 | 12 | 30 - 19 |
| AM127667 | A20 | 3 | 20 - 5 | AM127927 | E3 | 9 | 30 - 47 | AT49297 | D2 | 18 | 30 - 21 |
| AM127668 | A18 | 3 | 20 - 3 | AM127928 | B23 | .. | 20 - 32 | AT49297 | E20 | 18 | 40 - 11 |
| AM127669 | A18 | 16 | 20 - 3 | AM127929 | B24 | .. | 20 - 33 | AU11752 | B10 | 9 | 20 - 19 |
| AM127670 | A18 | 21 | 20 - 3 | AM127930 | C1 | .. | 20 - 35 | AU11752 | D8 | 5 | 30 - 27 |
| AM127672 | A24 | 6 | 20 - 9 | AM127930 | E3 | .. | 30 - 47 | AU11752 | F2 | 12 | 40 - 17 |

NUMERICAL INDEX - CONTINUED

| PART NO. | GRID | KEY | PAGE | PART NO. | GRID | KEY | PAGE | PART NO. | GRID | KEY | PAGE |
|----------|------|-----|-------|----------|------|-----|-------|----------|------|-----|-------|
| AW17093 | B18 | 11 | 20-27 | H99923 | C25 | 34 | 30-19 | LVA11329 | E7 | 6 | 30-51 |
| AW17093 | B22 | 2 | 20-31 | H99923 | D2 | 31 | 30-21 | LVA11330 | B4 | 34 | 20-13 |
| AW17093 | D20 | 11 | 30-39 | H99923 | D8 | 8 | 30-27 | LVA11330 | D2 | 34 | 30-21 |
| AW17093 | D24 | 2 | 30-43 | H99923 | E4 | 1 | 30-48 | LVA11330 | E20 | 34 | 40-11 |
| A15898 | C3 | 7 | 20-37 | H99923 | E14 | 5 | 40-5 | LVA11331 | E7 | 9 | 30-51 |
| A15898 | E5 | 7 | 30-49 | H99923 | E20 | 31 | 40-11 | LVA11332 | E7 | 17 | 30-51 |
| BM19556 | C2 | 3 | 20-36 | H99923 | F2 | 15 | 40-17 | LVA11333 | C17 | 14 | 30-11 |
| BM19556 | E4 | 3 | 30-48 | JD126 | A22 | 2 | 20-7 | LVA11334 | C17 | 16 | 30-11 |
| BM19557 | A22 | 25 | 20-7 | JD126 | C21 | 2 | 30-15 | LVA11335 | E22 | 9 | 40-13 |
| BM19558 | A22 | 25 | 20-7 | JD126 | E16 | 27 | 40-7 | LVA11352 | F5 | 1 | 40-20 |
| BM19559 | A22 | 25 | 20-7 | JD139 | D8 | 6 | 30-27 | LVA11353 | F6 | 1 | 40-21 |
| BM19560 | A22 | 25 | 20-7 | JD139 | E7 | 1 | 30-51 | LVA11354 | F8 | 1 | 40-23 |
| BM19561 | A22 | 25 | 20-7 | JD139 | F2 | 13 | 40-17 | LVA11355 | F6 | 9 | 40-21 |
| BM19562 | A22 | 25 | 20-7 | JD5404 | C17 | 3 | 30-11 | LVA11356 | F8 | 9 | 40-23 |
| BM19565 | D12 | 11 | 30-31 | JD5404 | E16 | 3 | 40-7 | LVA11357 | F6 | 12 | 40-21 |
| BM19568 | C21 | 24 | 30-15 | JD5586 | C5 | 8 | 20-39 | LVA11358 | F8 | 12 | 40-23 |
| BM19569 | C21 | 24 | 30-15 | JD5586 | E8 | 8 | 30-52 | LVA11359 | E24 | 11 | 40-15 |
| BM19570 | C21 | 24 | 30-15 | JD7788 | A18 | 11 | 20-3 | LVA11360 | E24 | 12 | 40-15 |
| BM19571 | C21 | 24 | 30-15 | JD7788 | A20 | 4 | 20-5 | LVA11361 | C17 | 12 | 30-11 |
| BM20583 | D12 | 11 | 30-31 | JD7844 | A18 | 13 | 20-3 | LVA11362 | E7 | 2 | 30-51 |
| BM20583 | D14 | 18 | 30-33 | JD7844 | A20 | 2 | 20-5 | LVA11363 | F9 | 11 | 40-24 |
| B14441 | B6 | 5 | 20-15 | JD7844 | A22 | 7 | 20-7 | LVA11364 | F9 | 13 | 40-24 |
| B14441 | C11 | 8 | 30-5 | JD7844 | C9 | 8 | 30-3 | LVA11365 | F16 | 35 | 40-31 |
| B14441 | C13 | 8 | 30-7 | JD7844 | C19 | 2 | 30-13 | LVB25173 | E16 | 32 | 40-7 |
| B14441 | C15 | 5 | 30-9 | JD7844 | C21 | 7 | 30-15 | LVB25174 | E16 | 32 | 40-7 |
| B14441 | C17 | 19 | 30-11 | JD7844 | E12 | 4 | 40-3 | LVB25175 | E16 | 32 | 40-7 |
| B14441 | E22 | 12 | 40-13 | JD7844 | E14 | 3 | 40-5 | LVB25176 | E16 | 32 | 40-7 |
| C14618 | E7 | 12 | 30-51 | JD7844 | E16 | 11 | 40-7 | LVB25177 | E16 | 32 | 40-7 |
| C14618 | F2 | 1 | 40-17 | JD7844 | E18 | 5 | 40-9 | LVU10916 | B4 | 6 | 20-13 |
| C14619 | E7 | 13 | 30-51 | KV17062 | E22 | 11 | 40-13 | LVU10916 | D2 | 6 | 30-21 |
| C14619 | F2 | 3 | 40-17 | LVA10467 | D8 | 15 | 30-27 | LVU10916 | E20 | 6 | 40-11 |
| ET15510 | E7 | 4 | 30-51 | LVA10467 | F2 | 21 | 40-17 | LVU10917 | B4 | 7 | 20-13 |
| ET15511 | C3 | 3 | 20-37 | LVA10544 | B4 | 3 | 20-13 | LVU10917 | D2 | 7 | 30-21 |
| ET15511 | E5 | 3 | 30-49 | LVA10544 | D2 | 3 | 30-21 | LVU10917 | E20 | 7 | 40-11 |
| E57454 | C9 | 20 | 30-3 | LVA10544 | E20 | 3 | 40-11 | LVU12262 | E14 | 13 | 40-5 |
| F3220R | A20 | 16 | 20-5 | LVA10545 | B4 | 5 | 20-13 | LVU12263 | F2 | 9 | 40-17 |
| F3220R | A22 | 11 | 20-7 | LVA10545 | D2 | 5 | 30-21 | LVU12264 | F2 | 19 | 40-17 |
| F3220R | C19 | 16 | 30-13 | LVA10545 | E20 | 5 | 40-11 | LVU12265 | E14 | 6 | 40-5 |
| F3220R | C21 | 11 | 30-15 | LVA10553 | B4 | 1 | 20-13 | LVU12266 | F21 | 4 | 40-36 |
| F3220R | E14 | 12 | 40-5 | LVA10553 | D2 | 1 | 30-21 | LVU12267 | F21 | 6 | 40-36 |
| F3220R | E16 | 9 | 40-7 | LVA10553 | E20 | 1 | 40-11 | LVU12268 | F21 | 8 | 40-36 |
| H63283 | B16 | 6 | 20-25 | LVA10554 | B4 | 27 | 20-13 | LVU12269 | F21 | 1 | 40-36 |
| H63283 | B20 | 6 | 20-29 | LVA10554 | D2 | 27 | 30-21 | LVU12270 | E18 | 21 | 40-9 |
| H63283 | B22 | 7 | 20-31 | LVA10554 | E20 | 27 | 40-11 | LVU12271 | E18 | 16 | 40-9 |
| H63283 | D18 | 6 | 30-37 | LVA10555 | B4 | 8 | 20-13 | LVU12272 | E16 | 13 | 40-7 |
| H63283 | D22 | 6 | 30-41 | LVA10555 | D2 | 8 | 30-21 | LVU12273 | E14 | 18 | 40-5 |
| H63283 | D24 | 7 | 30-43 | LVA10555 | E20 | 8 | 40-11 | LVU12274 | E14 | 10 | 40-5 |
| H63283 | F12 | 6 | 40-27 | LVA11304 | F6 | 13 | 40-21 | LVU12275 | E16 | 8 | 40-7 |
| H63283 | F18 | 6 | 40-33 | LVA11305 | F8 | 13 | 40-23 | LVU12276 | E16 | 10 | 40-7 |
| H63283 | F20 | 7 | 40-35 | LVA11306 | F5 | 14 | 40-20 | LVU12277 | E12 | 8 | 40-3 |
| H76696 | B2 | 10 | 20-11 | LVA11307 | B4 | 20 | 20-13 | LVU12278 | E24 | 3 | 40-15 |
| H76696 | B4 | 19 | 20-13 | LVA11307 | D2 | 20 | 30-21 | LVU12341 | F8 | 3 | 40-23 |
| H76696 | B6 | 11 | 20-15 | LVA11307 | E20 | 20 | 40-11 | LVU12342 | F5 | 11 | 40-20 |
| H76696 | C25 | 10 | 30-19 | LVA11308 | E7 | 8 | 30-51 | LVU12343 | F6 | 11 | 40-21 |
| H76696 | D2 | 19 | 30-21 | LVA11316 | E12 | 1 | 40-3 | LVU12344 | F8 | 11 | 40-23 |
| H76696 | E18 | 4 | 40-9 | LVA11317 | F2 | 14 | 40-17 | M118630 | A20 | 7 | 20-5 |
| H76696 | E20 | 19 | 40-11 | LVA11318 | F2 | 23 | 40-17 | M118630 | A22 | 22 | 20-7 |
| H77698 | B10 | 13 | 20-19 | LVA11319 | E16 | 24 | 40-7 | M118630 | E12 | 6 | 40-3 |
| H77698 | B12 | 5 | 20-21 | LVA11320 | E16 | 22 | 40-7 | M118631 | C19 | 7 | 30-13 |
| H77698 | C3 | 6 | 20-37 | LVA11321 | E12 | 18 | 40-3 | M118631 | C21 | 19 | 30-15 |
| H77698 | D8 | 10 | 30-27 | LVA11322 | E16 | 6 | 40-7 | M118631 | C23 | 17 | 30-17 |
| H77698 | E5 | 6 | 30-49 | LVA11323 | E14 | 17 | 40-5 | M118631 | E14 | 9 | 40-5 |
| H77698 | E7 | 11 | 30-51 | LVA11324 | E12 | 2 | 40-3 | M118631 | E16 | 21 | 40-7 |
| H77698 | F2 | 6 | 40-17 | LVA11325 | E18 | 10 | 40-9 | M118631 | E18 | 13 | 40-9 |
| H99923 | B4 | 31 | 20-13 | LVA11326 | E12 | 19 | 40-3 | M118632 | B6 | 1 | 20-15 |
| H99923 | C2 | 1 | 20-36 | LVA11327 | E12 | 9 | 40-3 | M118632 | C11 | 1 | 30-5 |
| H99923 | C19 | 5 | 30-13 | LVA11328 | E12 | 17 | 40-3 | M118632 | C13 | 1 | 30-7 |

NUMERICAL INDEX - CONTINUED

| PART NO. | GRID | KEY | PAGE | PART NO. | GRID | KEY | PAGE | PART NO. | GRID | KEY | PAGE |
|----------|------|-----|-------|----------|------|-----|-------|----------|------|-----|-------|
| M118632 | C15 | 13 | 30-9 | M137960 | A24 | 4 | 20-9 | M138043 | B2 | 19 | 20-11 |
| M118632 | E22 | 1 | 40-13 | M137961 | A24 | 3 | 20-9 | M138043 | C25 | 19 | 30-19 |
| M118633 | B2 | 18 | 20-11 | M137963 | A20 | 9 | 20-5 | M138044 | B2 | 17 | 20-11 |
| M118633 | B4 | 2 | 20-13 | M137964 | A20 | 17 | 20-5 | M138044 | C25 | 17 | 30-19 |
| M118633 | C25 | 18 | 30-19 | M137965 | A22 | 9 | 20-7 | M138045 | B4 | 30 | 20-13 |
| M118633 | D2 | 2 | 30-21 | M137966 | A22 | 14 | 20-7 | M138045 | D2 | 30 | 30-21 |
| M118633 | E20 | 2 | 40-11 | M137967 | A20 | 19 | 20-5 | M138045 | E20 | 30 | 40-11 |
| M118634 | B10 | 2 | 20-19 | M137974 | C9 | 2 | 30-3 | M138055 | C23 | 14 | 30-17 |
| M118635 | A22 | 3 | 20-7 | M137977 | D10 | 2 | 30-29 | M138055 | E18 | 20 | 40-9 |
| M118635 | C21 | 3 | 30-15 | M137977 | F4 | 7 | 40-19 | M138057 | C23 | 19 | 30-17 |
| M118635 | E16 | 28 | 40-7 | M137981 | B4 | 17 | 20-13 | M138057 | E18 | 15 | 40-9 |
| M118648 | C19 | 15 | 30-13 | M137981 | C25 | 26 | 30-19 | M138059 | C4 | 3 | 20-38 |
| M118650 | B10 | 18 | 20-19 | M137981 | D2 | 17 | 30-21 | M138059 | C9 | 21 | 30-3 |
| M118650 | D8 | 12 | 30-27 | M137981 | E20 | 17 | 40-11 | M138059 | D12 | 2 | 30-31 |
| M118651 | C23 | 10 | 30-17 | M137983 | B4 | 25 | 20-13 | M138059 | D14 | 2 | 30-33 |
| M118651 | E18 | 8 | 40-9 | M137983 | C25 | 32 | 30-19 | M138063 | D10 | 5 | 30-29 |
| M119072 | E7 | 3 | 30-51 | M137983 | D2 | 25 | 30-21 | M138063 | F2 | 18 | 40-17 |
| M119074 | E7 | 14 | 30-51 | M137983 | E20 | 25 | 40-11 | M138063 | F4 | 5 | 40-19 |
| M119074 | F2 | 2 | 40-17 | M137984 | C23 | 15 | 30-17 | M138065 | C23 | 11 | 30-17 |
| M119076 | F2 | 5 | 40-17 | M137985 | C9 | 1 | 30-3 | M138065 | E18 | 9 | 40-9 |
| M119105 | E7 | 10 | 30-51 | M137986 | C9 | 13 | 30-3 | M138067 | C19 | 4 | 30-13 |
| M119105 | F2 | 22 | 40-17 | M137986 | E12 | 11 | 40-3 | M138067 | C23 | 20 | 30-17 |
| M119106 | E7 | 16 | 30-51 | M137987 | C19 | 11 | 30-13 | M138067 | E14 | 2 | 40-5 |
| M119106 | F2 | 7 | 40-17 | M137987 | E14 | 16 | 40-5 | M138069 | B4 | 11 | 20-13 |
| M119107 | E7 | 19 | 30-51 | M137988 | C21 | 12 | 30-15 | M138069 | C25 | 24 | 30-19 |
| M119123 | E24 | 6 | 40-15 | M137989 | C19 | 19 | 30-13 | M138069 | D2 | 11 | 30-21 |
| M121700 | E18 | 19 | 40-9 | M137990 | C19 | 17 | 30-13 | M138069 | E20 | 11 | 40-11 |
| M121704 | B4 | 26 | 20-13 | M137991 | C21 | 9 | 30-15 | M138071 | C23 | 4 | 30-17 |
| M121704 | D2 | 26 | 30-21 | M137992 | C21 | 13 | 30-15 | M138073 | B8 | 9 | 20-17 |
| M121704 | E20 | 26 | 40-11 | M137999 | B8 | 8 | 20-17 | M138073 | D4 | 9 | 30-23 |
| M121798 | C9 | 15 | 30-3 | M137999 | D4 | 8 | 30-23 | M138073 | D6 | 9 | 30-25 |
| M121798 | E12 | 13 | 40-3 | M137999 | D6 | 8 | 30-25 | M138074 | C11 | 19 | 30-5 |
| M121819 | C17 | 11 | 30-11 | M138010 | A22 | 21 | 20-7 | M138074 | C13 | 19 | 30-7 |
| M121869 | C5 | 5 | 20-39 | M138011 | B2 | 29 | 20-11 | M138078 | B8 | 10 | 20-17 |
| M121869 | E8 | 5 | 30-52 | M138011 | B4 | 22 | 20-13 | M138078 | D4 | 10 | 30-23 |
| M121869 | F21 | 5 | 40-36 | M138011 | C25 | 29 | 30-19 | M138078 | D6 | 10 | 30-25 |
| M121870 | C5 | 7 | 20-39 | M138011 | D2 | 22 | 30-21 | M138080 | C11 | 21 | 30-5 |
| M121870 | E8 | 7 | 30-52 | M138011 | E12 | 5 | 40-3 | M138080 | C13 | 21 | 30-7 |
| M121870 | F21 | 7 | 40-36 | M138011 | E20 | 22 | 40-11 | M138562 | C4 | 2 | 20-38 |
| M121881 | E16 | 31 | 40-7 | M138012 | B2 | 20 | 20-11 | M138563 | C4 | 1 | 20-38 |
| M121882 | B24 | 8 | 20-33 | M138012 | C25 | 20 | 30-19 | M138564 | D12 | 4 | 30-31 |
| M121918 | B2 | 23 | 20-11 | M138013 | A18 | 17 | 20-3 | M138565 | D12 | 1 | 30-31 |
| M121918 | C25 | 23 | 30-19 | M138014 | A20 | 8 | 20-5 | M138565 | D14 | 4 | 30-33 |
| M123400 | E24 | 6 | 40-15 | M138017 | A22 | 12 | 20-7 | M138566 | D12 | 7 | 30-31 |
| M130742 | D14 | 10 | 30-33 | M138018 | B6 | 7 | 20-15 | M138566 | D14 | 6 | 30-33 |
| M130743 | D14 | 14 | 30-33 | M138018 | C11 | 5 | 30-5 | M138567 | C2 | 2 | 20-36 |
| M130744 | D14 | 5 | 30-33 | M138018 | C13 | 5 | 30-7 | M138567 | E4 | 2 | 30-48 |
| M130745 | D14 | 15 | 30-33 | M138019 | B8 | 13 | 20-17 | M138568 | B23 | 14 | 20-32 |
| M137930 | A18 | 2 | 20-3 | M138019 | D4 | 13 | 30-23 | M138572 | B24 | 3 | 20-33 |
| M137930 | C9 | 3 | 30-3 | M138019 | D6 | 13 | 30-25 | M138574 | D25 | 3 | 30-44 |
| M137931 | A24 | 5 | 20-9 | M138020 | B8 | 12 | 20-17 | M138574 | E1 | 3 | 30-45 |
| M137934 | A18 | 7 | 20-3 | M138020 | D4 | 12 | 30-23 | M138574 | F5 | 3 | 40-20 |
| M137934 | C23 | 3 | 30-17 | M138020 | D6 | 12 | 30-25 | M138575 | C1 | 3 | 20-35 |
| M137934 | E18 | 17 | 40-9 | M138021 | B8 | 11 | 20-17 | M138575 | E2 | 3 | 30-46 |
| M137937 | B12 | 8 | 20-21 | M138021 | D4 | 11 | 30-23 | M138575 | E3 | 3 | 30-47 |
| M137950 | B2 | 26 | 20-11 | M138021 | D6 | 11 | 30-25 | M138575 | F6 | 3 | 40-21 |
| M137951 | B2 | 32 | 20-11 | M138023 | A20 | 10 | 20-5 | M138575 | F7 | 3 | 40-22 |
| M137952 | B2 | 13 | 20-11 | M138023 | C9 | 5 | 30-3 | M138576 | E2 | 11 | 30-46 |
| M137952 | B4 | 28 | 20-13 | M138023 | C21 | 14 | 30-15 | M138576 | F7 | 11 | 40-22 |
| M137952 | C25 | 13 | 30-19 | M138024 | A18 | 18 | 20-3 | M138577 | E1 | 11 | 30-45 |
| M137952 | D2 | 28 | 30-21 | M138024 | C9 | 9 | 30-3 | M138578 | E3 | 11 | 30-47 |
| M137952 | E20 | 28 | 40-11 | M138024 | E12 | 15 | 40-3 | M138579 | D25 | 11 | 30-44 |
| M137954 | B10 | 5 | 20-19 | M138026 | B12 | 7 | 20-21 | M138580 | D25 | 12 | 30-44 |
| M137956 | A18 | 10 | 20-3 | M138027 | B10 | 10 | 20-19 | M138580 | F5 | 12 | 40-20 |
| M137957 | A20 | 11 | 20-5 | M138027 | E7 | 15 | 30-51 | M138796 | B2 | 16 | 20-11 |
| M137958 | A22 | 13 | 20-7 | M138033 | B2 | 24 | 20-11 | M138796 | C25 | 16 | 30-19 |
| M137959 | A24 | 2 | 20-9 | M138040 | B6 | 17 | 20-15 | M138797 | A20 | 1 | 20-5 |

NUMERICAL INDEX - CONTINUED

| PART NO. | GRID | KEY | PAGE | PART NO. | GRID | KEY | PAGE | PART NO. | GRID | KEY | PAGE |
|----------|------|-----|-------|----------|------|-----|-------|----------|------|-----|-------|
| M138797 | C19 | 1 | 30-13 | PT12559 | C21 | 17 | 30-15 | PT8133 | F16 | 11 | 40-31 |
| M138797 | E14 | 1 | 40-5 | PT14365 | F6 | 2 | 40-21 | PT8133 | F20 | 2 | 40-35 |
| M138797 | E16 | 23 | 40-7 | PT14365 | F8 | 2 | 40-23 | PT8135 | B2 | 33 | 20-11 |
| M139053 | C19 | 18 | 30-13 | PT14370 | B14 | 6 | 20-23 | PT8136 | B18 | 21 | 20-27 |
| M139053 | C21 | 10 | 30-15 | PT14370 | D16 | 6 | 30-35 | PT8136 | D20 | 21 | 30-39 |
| M139061 | C5 | 6 | 20-39 | PT14370 | F10 | 6 | 40-25 | PT8136 | F14 | 21 | 40-29 |
| M139062 | C5 | 3 | 20-39 | PT14373 | F2 | 4 | 40-17 | PT8137 | B16 | 10 | 20-25 |
| M139062 | E8 | 3 | 30-52 | PT14376 | C23 | 7 | 30-17 | PT8137 | B20 | 10 | 20-29 |
| M139062 | F21 | 3 | 40-36 | PT14376 | E18 | 2 | 40-9 | PT8137 | D18 | 10 | 30-37 |
| M143741 | D14 | 9 | 30-33 | PT1438Z | C23 | 16 | 30-17 | PT8137 | D22 | 10 | 30-41 |
| M143742 | D14 | 12 | 30-33 | PT14382 | E18 | 12 | 40-9 | PT8137 | F12 | 10 | 40-27 |
| M143744 | D14 | 11 | 30-33 | PT14393 | A20 | 13 | 20-5 | PT8137 | F18 | 10 | 40-33 |
| M143745 | D14 | 8 | 30-33 | PT14393 | C19 | 13 | 30-13 | PT8138 | B14 | 7 | 20-23 |
| M40333 | B2 | 11 | 20-11 | PT14393 | E14 | 15 | 40-5 | PT8138 | D16 | 7 | 30-35 |
| M40333 | C25 | 11 | 30-19 | PT14393 | E16 | 19 | 40-7 | PT8138 | F10 | 7 | 40-25 |
| M73027 | B10 | 17 | 20-19 | PT14399 | E18 | 11 | 40-9 | PT8139 | B16 | 9 | 20-25 |
| M73027 | B12 | 3 | 20-21 | PT14421 | F2 | 24 | 40-17 | PT8139 | B18 | 8 | 20-27 |
| M73027 | D8 | 14 | 30-27 | PT14422 | F2 | 25 | 40-17 | PT8139 | B20 | 9 | 20-29 |
| M73027 | D10 | 7 | 30-29 | PT14444 | B16 | 36 | 20-25 | PT8139 | B22 | 8 | 20-31 |
| M73027 | F2 | 20 | 40-17 | PT14444 | D18 | 36 | 30-37 | PT8139 | D18 | 9 | 30-37 |
| M73027 | F4 | 6 | 40-19 | PT14445 | B16 | 30 | 20-25 | PT8139 | D20 | 8 | 30-39 |
| M76854 | E7 | 18 | 30-51 | PT14445 | B18 | 39 | 20-27 | PT8139 | D22 | 9 | 30-41 |
| M78720 | B10 | 3 | 20-19 | PT14445 | B20 | 28 | 20-29 | PT8139 | D24 | 8 | 30-43 |
| M78720 | D8 | 3 | 30-27 | PT14445 | D18 | 30 | 30-37 | PT8139 | F12 | 9 | 40-27 |
| M80174 | B25 | 5 | 20-34 | PT14445 | D20 | 39 | 30-39 | PT8139 | F14 | 8 | 40-29 |
| M80175 | B25 | 10 | 20-34 | PT14445 | D22 | 28 | 30-41 | PT8139 | F16 | 8 | 40-31 |
| M80549 | B25 | 2 | 20-34 | PT14445 | F12 | 30 | 40-27 | PT8139 | F18 | 9 | 40-33 |
| M88183 | B8 | 2 | 20-17 | PT14445 | F14 | 39 | 40-29 | PT8139 | F20 | 8 | 40-35 |
| M88183 | D4 | 2 | 30-23 | PT14445 | F16 | 33 | 40-31 | PT8140 | B16 | .. | 20-25 |
| M88183 | D6 | 2 | 30-25 | PT14445 | F18 | 28 | 40-33 | PT8140 | B18 | .. | 20-27 |
| M93644 | E7 | 7 | 30-51 | PT14870 | F2 | 11 | 40-17 | PT8140 | B20 | .. | 20-29 |
| M93645 | E5 | 1 | 30-49 | PT15104 | C9 | 14 | 30-3 | PT8140 | B22 | .. | 20-31 |
| M93646 | E7 | 5 | 30-51 | PT15104 | E12 | 12 | 40-3 | PT8140 | D18 | .. | 30-37 |
| M93647 | D8 | 16 | 30-27 | PT15268 | A20 | 15 | 20-5 | PT8140 | D20 | .. | 30-39 |
| M96125 | C3 | 5 | 20-37 | PT15271 | D10 | 4 | 30-29 | PT8140 | D24 | .. | 30-43 |
| M96125 | E5 | 5 | 30-49 | PT15271 | F4 | 3 | 40-19 | PT8140 | F12 | 31 | 40-27 |
| M96136 | D8 | 11 | 30-27 | PT15276 | C9 | 16 | 30-3 | PT8140 | F14 | .. | 40-29 |
| PT10406 | C1 | 2 | 20-35 | PT15276 | E12 | 14 | 40-3 | PT8140 | F16 | 34 | 40-31 |
| PT10406 | D25 | 2 | 30-44 | PT15288 | B2 | 34 | 20-11 | PT8140 | F20 | .. | 40-35 |
| PT10406 | E1 | 2 | 30-45 | PT15589 | B10 | 6 | 20-19 | PT8158 | A18 | 8 | 20-3 |
| PT10406 | E2 | 2 | 30-46 | PT15590 | B10 | 7 | 20-19 | PT8158 | C11 | 13 | 30-5 |
| PT10406 | E3 | 2 | 30-47 | PT15596 | D8 | 1 | 30-27 | PT8158 | C13 | 13 | 30-7 |
| PT10406 | F5 | 2 | 40-20 | PT15597 | D8 | 2 | 30-27 | PT8159 | F20 | 16 | 40-35 |
| PT10406 | F7 | 2 | 40-22 | PT15599 | B10 | 12 | 20-19 | PT8174 | A22 | 19 | 20-7 |
| PT10413 | B18 | 15 | 20-27 | PT15599 | D8 | 7 | 30-27 | PT8211 | E24 | 7 | 40-15 |
| PT10413 | D20 | 15 | 30-39 | PT8118 | B23 | 2 | 20-32 | R11151 | A18 | 15 | 20-3 |
| PT10413 | F14 | 15 | 40-29 | PT8118 | B24 | 2 | 20-33 | R11151 | A20 | 5 | 20-5 |
| PT10413 | F16 | 15 | 40-31 | PT8118 | E24 | 2 | 40-15 | R11151 | A22 | 17 | 20-7 |
| PT10414 | C25 | 37 | 30-19 | PT8129 | B16 | 31 | 20-25 | R11151 | B2 | 2 | 20-11 |
| PT10429 | A18 | 1 | 20-3 | PT8129 | D18 | 31 | 30-37 | R11151 | B4 | 16 | 20-13 |
| PT10429 | C9 | 24 | 30-3 | PT8129 | F12 | 32 | 40-27 | R11151 | B10 | 15 | 20-19 |
| PT10430 | A22 | 24 | 20-7 | PT8130 | B14 | 5 | 20-23 | R11151 | C9 | 12 | 30-3 |
| PT10430 | C21 | 23 | 30-15 | PT8130 | B22 | 1 | 20-31 | R11151 | C23 | 5 | 30-17 |
| PT10434 | C21 | 22 | 30-15 | PT8130 | D16 | 5 | 30-35 | R11151 | C25 | 2 | 30-19 |
| PT10435 | C21 | 21 | 30-15 | PT8130 | D24 | 1 | 30-43 | R11151 | D2 | 16 | 30-21 |
| PT10435 | E16 | 18 | 40-7 | PT8130 | F10 | 5 | 40-25 | R11151 | E12 | 7 | 40-3 |
| PT10436 | C19 | 9 | 30-13 | PT8130 | F20 | 1 | 40-35 | R11151 | E20 | 16 | 40-11 |
| PT10438 | A18 | 14 | 20-3 | PT8131 | B13 | .. | 20-22 | R73290 | C17 | 10 | 30-11 |
| PT10438 | C9 | 11 | 30-3 | PT8131 | B22 | 17 | 20-31 | R73290 | E24 | 14 | 40-15 |
| PT10438 | E12 | 10 | 40-3 | PT8131 | D15 | .. | 30-34 | TY22471 | A22 | 6 | 20-7 |
| PT10449 | B10 | 16 | 20-19 | PT8131 | D24 | 17 | 30-43 | TY22471 | C21 | 6 | 30-15 |
| PT10449 | D8 | 9 | 30-27 | PT8131 | F9 | .. | 40-24 | TY2615 | C17 | 2 | 30-11 |
| PT10449 | F2 | 16 | 40-17 | PT8131 | F20 | 17 | 40-35 | TY2615 | E16 | 2 | 40-7 |
| PT10453 | C23 | 9 | 30-17 | PT8132 | B22 | 18 | 20-31 | TY8702 | B10 | 11 | 20-19 |
| PT10453 | E18 | 7 | 40-9 | PT8132 | D24 | 18 | 30-43 | T104785 | B16 | 17 | 20-25 |
| PT10486 | E2 | 8 | 30-46 | PT8132 | F20 | 18 | 40-35 | T104785 | B18 | 26 | 20-27 |
| PT10486 | F7 | 8 | 40-22 | PT8133 | F14 | 11 | 40-29 | T104785 | B20 | 15 | 20-29 |

NUMERICAL INDEX - CONTINUED

| PART NO. | GRID | KEY | PAGE | PART NO. | GRID | KEY | PAGE | PART NO. | GRID | KEY | PAGE |
|----------|------|-----|-------|----------|------|-----|-------|----------|------|-----|-------|
| T104785 | B22 | 10 | 20-31 | T107593 | B20 | 24 | 20-29 | T57246 | F12 | 18 | 40-27 |
| T104785 | D18 | 17 | 30-37 | T107593 | D18 | 26 | 30-37 | T57246 | F14 | 27 | 40-29 |
| T104785 | D20 | 26 | 30-39 | T107593 | D20 | 35 | 30-39 | T57246 | F16 | 21 | 40-31 |
| T104785 | D22 | 15 | 30-41 | T107593 | D22 | 24 | 30-41 | T57246 | F18 | 16 | 40-33 |
| T104785 | D24 | 10 | 30-43 | T107593 | F12 | 26 | 40-27 | T57246 | F20 | 11 | 40-35 |
| T104785 | F12 | 17 | 40-27 | T107593 | F14 | 35 | 40-29 | U10577 | A22 | 24 | 20-7 |
| T104785 | F14 | 26 | 40-29 | T107593 | F16 | 29 | 40-31 | U10577 | C21 | 23 | 30-15 |
| T104785 | F16 | 20 | 40-31 | T107593 | F18 | 24 | 40-33 | U13616 | B16 | 8 | 20-25 |
| T104785 | F18 | 15 | 40-33 | T11506 | D20 | 22 | 30-39 | U13616 | B20 | 8 | 20-29 |
| T104785 | F20 | 10 | 40-35 | T11506 | F14 | 22 | 40-29 | U13616 | D18 | 8 | 30-37 |
| T104786 | B16 | 16 | 20-25 | T11506 | F16 | 16 | 40-31 | U13616 | D22 | 8 | 30-41 |
| T104786 | B18 | 25 | 20-27 | T126105 | B16 | 14 | 20-25 | U13616 | F12 | 8 | 40-27 |
| T104786 | B20 | 14 | 20-29 | T126105 | B18 | 23 | 20-27 | U13616 | F18 | 8 | 40-33 |
| T104786 | B22 | 9 | 20-31 | T126105 | B20 | 12 | 20-29 | W19903 | B16 | 4 | 20-25 |
| T104786 | D18 | 16 | 30-37 | T126105 | D18 | 14 | 30-37 | W19903 | B20 | 4 | 20-29 |
| T104786 | D20 | 25 | 30-39 | T126105 | D20 | 23 | 30-39 | W19903 | B22 | 5 | 20-31 |
| T104786 | D22 | 14 | 30-41 | T126105 | D22 | 12 | 30-41 | W19903 | D18 | 4 | 30-37 |
| T104786 | D24 | 9 | 30-43 | T126105 | F12 | 14 | 40-27 | W19903 | D22 | 4 | 30-41 |
| T104786 | F12 | 16 | 40-27 | T126105 | F14 | 23 | 40-29 | W19903 | D24 | 5 | 30-43 |
| T104786 | F14 | 25 | 40-29 | T126105 | F16 | 17 | 40-31 | W19903 | F12 | 4 | 40-27 |
| T104786 | F16 | 19 | 40-31 | T126105 | F18 | 12 | 40-33 | W19903 | F18 | 4 | 40-33 |
| T104786 | F18 | 14 | 40-33 | T35984 | B16 | 5 | 20-25 | W19903 | F20 | 5 | 40-35 |
| T104786 | F20 | 9 | 40-35 | T35984 | B20 | 5 | 20-29 | Z29304 | B16 | 2 | 20-25 |
| T104787 | B16 | 28 | 20-25 | T35984 | B22 | 6 | 20-31 | Z29304 | B20 | 2 | 20-29 |
| T104787 | B18 | 37 | 20-27 | T35984 | D18 | 5 | 30-37 | Z29304 | B22 | 3 | 20-31 |
| T104787 | B20 | 26 | 20-29 | T35984 | D22 | 5 | 30-41 | Z29304 | D18 | 2 | 30-37 |
| T104787 | D18 | 28 | 30-37 | T35984 | D24 | 6 | 30-43 | Z29304 | D22 | 2 | 30-41 |
| T104787 | D20 | 37 | 30-39 | T35984 | F12 | 5 | 40-27 | Z29304 | D24 | 3 | 30-43 |
| T104787 | D22 | 26 | 30-41 | T35984 | F18 | 5 | 40-33 | Z29304 | F12 | 2 | 40-27 |
| T104787 | F12 | 28 | 40-27 | T35984 | F20 | 6 | 40-35 | Z29304 | F18 | 2 | 40-33 |
| T104787 | F14 | 37 | 40-29 | T35985 | B16 | 3 | 20-25 | Z29304 | F20 | 3 | 40-35 |
| T104787 | F16 | 31 | 40-31 | T35985 | B20 | 3 | 20-29 | | | | |
| T104787 | F18 | 26 | 40-33 | T35985 | B22 | 4 | 20-31 | | | | |
| T104788 | B16 | 25 | 20-25 | T35985 | D18 | 3 | 30-37 | | | | |
| T104788 | B18 | 34 | 20-27 | T35985 | D22 | 3 | 30-41 | | | | |
| T104788 | B20 | 23 | 20-29 | T35985 | D24 | 4 | 30-43 | | | | |
| T104788 | D18 | 25 | 30-37 | T35985 | F12 | 3 | 40-27 | | | | |
| T104788 | D20 | 34 | 30-39 | T35985 | F18 | 3 | 40-33 | | | | |
| T104788 | D22 | 23 | 30-41 | T35985 | F20 | 4 | 40-35 | | | | |
| T104788 | F12 | 25 | 40-27 | T35986 | B2 | 30 | 20-11 | | | | |
| T104788 | F14 | 34 | 40-29 | T35986 | B4 | 23 | 20-13 | | | | |
| T104788 | F16 | 28 | 40-31 | T35986 | B16 | 13 | 20-25 | | | | |
| T104788 | F18 | 23 | 40-33 | T35986 | B16 | 35 | 20-25 | | | | |
| T104789 | B16 | 27 | 20-25 | T35986 | B22 | 16 | 20-31 | | | | |
| T104789 | B18 | 36 | 20-27 | T35986 | C25 | 30 | 30-19 | | | | |
| T104789 | B20 | 25 | 20-29 | T35986 | D2 | 23 | 30-21 | | | | |
| T104789 | D18 | 27 | 30-37 | T35986 | D18 | 13 | 30-37 | | | | |
| T104789 | D20 | 36 | 30-39 | T35986 | D18 | 35 | 30-37 | | | | |
| T104789 | D22 | 25 | 30-41 | T35986 | D24 | 16 | 30-43 | | | | |
| T104789 | F12 | 27 | 40-27 | T35986 | E20 | 23 | 40-11 | | | | |
| T104789 | F14 | 36 | 40-29 | T35986 | F12 | 13 | 40-27 | | | | |
| T104789 | F16 | 30 | 40-31 | T36012 | B16 | 7 | 20-25 | | | | |
| T104789 | F18 | 25 | 40-33 | T36012 | B20 | 7 | 20-29 | | | | |
| T106306 | B16 | 29 | 20-25 | T36012 | D18 | 7 | 30-37 | | | | |
| T106306 | B16 | 32 | 20-25 | T36012 | D22 | 7 | 30-41 | | | | |
| T106306 | B18 | 38 | 20-27 | T36012 | F12 | 7 | 40-27 | | | | |
| T106306 | B20 | 27 | 20-29 | T36012 | F18 | 7 | 40-33 | | | | |
| T106306 | D18 | 29 | 30-37 | T36103 | B16 | 33 | 20-25 | | | | |
| T106306 | D18 | 32 | 30-37 | T36103 | D18 | 33 | 30-37 | | | | |
| T106306 | D20 | 38 | 30-39 | T57246 | B16 | 18 | 20-25 | | | | |
| T106306 | D22 | 27 | 30-41 | T57246 | B18 | 27 | 20-27 | | | | |
| T106306 | F12 | 29 | 40-27 | T57246 | B20 | 16 | 20-29 | | | | |
| T106306 | F14 | 38 | 40-29 | T57246 | B22 | 11 | 20-31 | | | | |
| T106306 | F16 | 32 | 40-31 | T57246 | D18 | 18 | 30-37 | | | | |
| T106306 | F18 | 27 | 40-33 | T57246 | D20 | 27 | 30-39 | | | | |
| T107593 | B16 | 26 | 20-25 | T57246 | D22 | 16 | 30-41 | | | | |
| T107593 | B18 | 35 | 20-27 | T57246 | D24 | 11 | 30-43 | | | | |